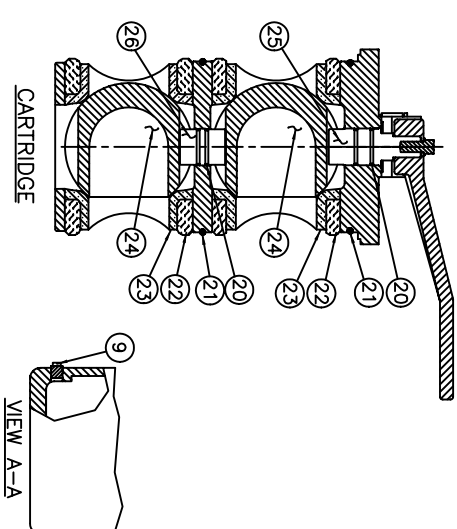
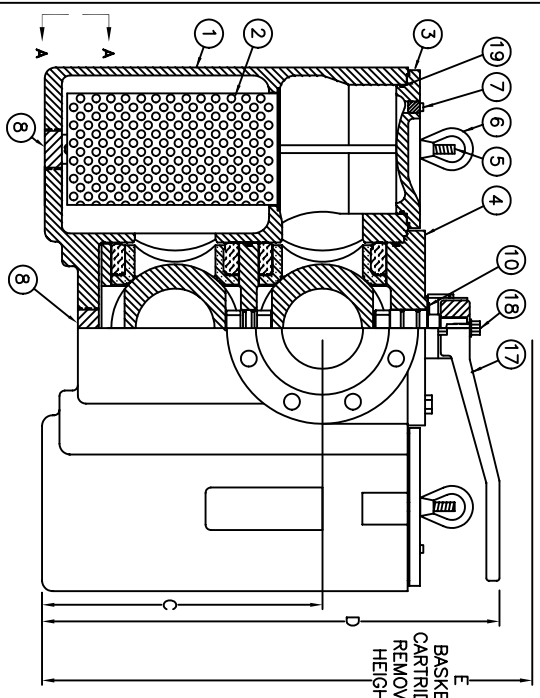
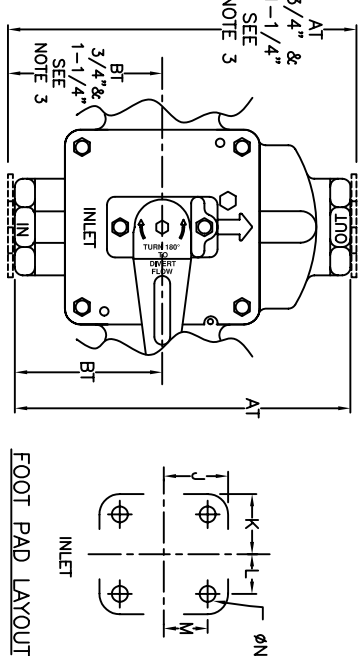
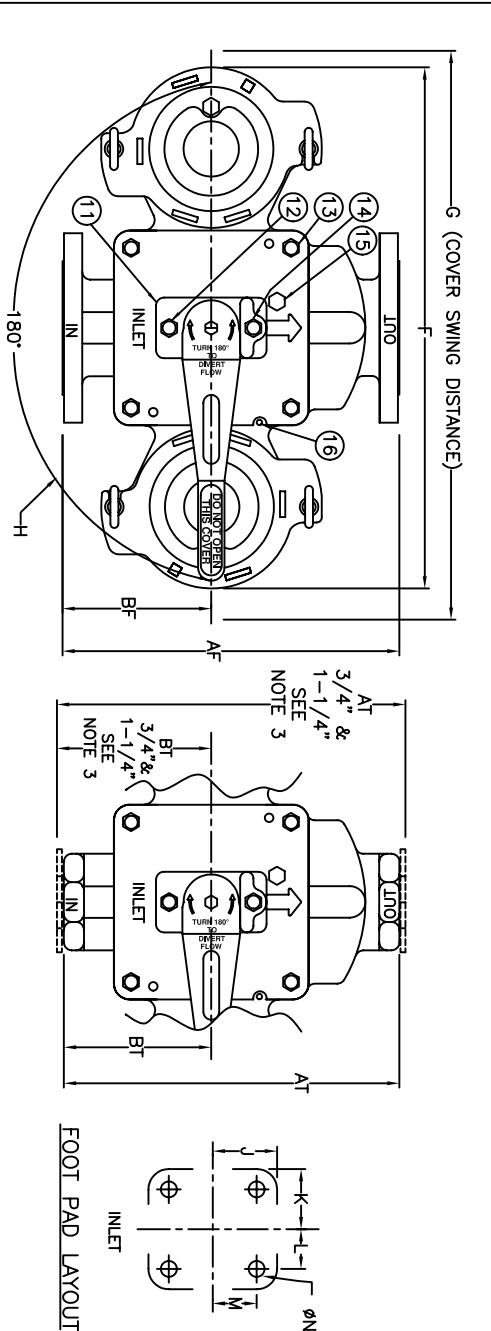


PIPE SIZE (NOMINAL) IN. MM.	DIMENSIONS														STRAINER		
	AF±0.13 IN. MM.	BF IN. MM.	AT±0.13 IN. MM.	BT IN. MM.	C IN. MM.	D IN. MM.	E IN. MM.	F IN. MM.	G IN. MM.	H IN. MM.	J IN. MM.	K IN. MM.	L IN. MM.	M IN. MM.	N IN. MM.	WEIGHT LBS. KGS.	PART NO.
3/4 (20)	6.13 / 156	2.94 / 72	5.00 / 127	6.13 / 156	2.94 / 72	5.00 / 127	6.13 / 156	2.94 / 72	5.00 / 127	6.13 / 156	2.94 / 72	5.00 / 127	6.13 / 156	2.94 / 72	5.00 / 127	41 / 19	ST053007B1331TS
1 (25)	6.88 / 175	3.19 / 81	5.00 / 127	6.88 / 175	3.19 / 81	5.00 / 127	6.88 / 175	3.19 / 81	5.00 / 127	6.88 / 175	3.19 / 81	5.00 / 127	6.88 / 175	3.19 / 81	49 / 20	ST053010BR331TS	
1-1/4 (32)	8.75 / 222	3.75 / 95	6.81 / 173	8.75 / 222	3.75 / 95	6.81 / 173	8.75 / 222	3.75 / 95	6.81 / 173	8.75 / 222	3.75 / 95	6.81 / 173	8.75 / 222	3.75 / 95	89 / 40	ST053012BR1331TS	
1-1/2 (40)	9.38 / 238	4.31 / 109	7.50 / 190	9.38 / 238	4.31 / 109	7.50 / 190	9.38 / 238	4.31 / 109	7.50 / 190	9.38 / 238	4.31 / 109	7.50 / 190	9.38 / 238	4.31 / 109	86 / 39	ST053015BR1331TS	
2 (50)	10.63 / 270	4.63 / 117	10.00 / 254	10.63 / 270	4.63 / 117	10.00 / 254	10.63 / 270	4.63 / 117	10.00 / 254	10.63 / 270	4.63 / 117	10.00 / 254	10.63 / 270	4.63 / 117	179 / 81	ST053020BR331TS	
2-1/2 (65)	10.75 / 273	4.69 / 119	10.00 / 254	10.75 / 273	4.69 / 119	10.00 / 254	10.75 / 273	4.69 / 119	10.00 / 254	10.75 / 273	4.69 / 119	10.00 / 254	10.75 / 273	4.69 / 119	168 / 77	ST053025BR331TS	
3 (80)	13.50 / 343	5.93 / 151	8.88 / 226	13.50 / 343	5.93 / 151	8.88 / 226	13.50 / 343	5.93 / 151	8.88 / 226	13.50 / 343	5.93 / 151	8.88 / 226	13.50 / 343	5.93 / 151	197 / 89	ST053025BR331TS	
4 (100)	16.00 / 406	7.06 / 179	13.25 / 337	16.00 / 406	7.06 / 179	13.25 / 337	16.00 / 406	7.06 / 179	13.25 / 337	16.00 / 406	7.06 / 179	13.25 / 337	16.00 / 406	7.06 / 179	306 / 139	ST053030BR331TS	



ITEM	PART NAME	MATERIAL	QTY.
1	BODY	CARBON STEEL, A216 WCB	1
2	BASKET	STAINLESS STEEL, 316	2
MESH SIZE			
3	COVER	CARBON STEEL, A216 WCB	2
4	CARTRIDGE	CARBON STEEL, A216 WCB	1
5	STUD	CARBON STEEL	4
6	EYENUT	CARBON STEEL	4
7	PIPE PLUG	CARBON STEEL	2, 3, 2
8	WASHER	STAINLESS STEEL	1
9	STEM RETAINER	STAINLESS STEEL	1
11	CAP SOREW	CARBON STEEL	1, 4, 1
12	VENT VALVE	BRASS	1
15	PIN	CARBON STEEL	1
16	HANDLE	DUCTILE IRON/CARBON STEEL	1
17	CAP SOREW	CARBON STEEL	1
18	O-RING	BUNA-N	2, 4, 4, 2
19	SEAL	BUNA-N	4, 4
22	SEAT	TEFLON	4, 4
23	BALL	STAINLESS STEEL	4, 4
24	STEM	STAINLESS STEEL	2
25	STEM	STAINLESS STEEL	1, 1

NOTES: (▲ - SPARES)

- INLET/OUTLET CONNECTIONS PER ANSI STANDARDS.
- MAX. WORKING PRESSURE: 200 PSI @ 150° F (13.8 BAR @ 65.5°C)
- BUSHINGS USED FOR 3/4" & 1-1/4" CONNECTIONS.

CERTIFIED FOR: --

P.O. NO.: -- QUOTE NO.: --

REG. NO.: -- TAG NO.: --

**EATON**

**EATON FILTRATION, LLC**

900 FAIRMOUNT AVENUE, ELIZABETH, NEW JERSEY 07207

NAME MODEL 53 "BTX" - DUPLEX STRAINER  
ANSI CLASS 150 RF FLANGE & NPT  
SIZES 3/4" THROUGH 4" CARBON STEEL

DRAWN VA DATE 08/16/99 CERT. WB DATE 08/16/99

UNAUTHORIZED USE, MANUFACTURE OR REPRODUCTION IN WHOLE OR IN PART IS PROHIBITED. DRAWING, DESIGN AND OTHER DISCLOSURES PROPERTY OF EATON FILTRATION, LLC

SIZE DWG NO. **A**

DATE 08/16/99

DATE 08/16/99

REV **J**