

# Male to female unions and female to female unions (Exd) - UND / UFD Series



## Technical specification

### Code of protection categories

ATEX: II 2GD, Ex d IIC Gb, Ex tb IIIC Db IP6X

CSA: Ex d IIC IP54, Class I, Division 1 and 2; Groups A, B, C, D; Class II, Groups E, F, G; Class III; Enclosure Type 3

GOST: ExdIIICU

### Compliance standards

ATEX: EN 60079-0, EN 60079-1, EN 61241-0, EN 61241-1

CSA: C22.2 No. 30-M1986 (R2012), CAN/CSA 60079-0-11, CAN/CSA 60079-1-11, CAN/CSA 60079-31:12, UL1203-5th Edition

### Certificate details

ATEX: Sira 00ATEX1096X

GOST: TR RU C-GB.GB06.B.00106

CSA: 1248014 (LR 106084)

### Temperature

Temperature range: -50°C to +180°C

### Ingress protection (IP):

Independently tested to IP66 / IP68 when fitted in accordance to manufacturer's instructions

### Part number:

Please refer to page 10 for part numbering system

## Features

- International Ex approvals
- Available in brass, stainless steel and aluminium
- Various threadforms available

## Benefits

- Provides a running joint
- Eliminates exposed threads
- Maintains Ex certification

## Materials

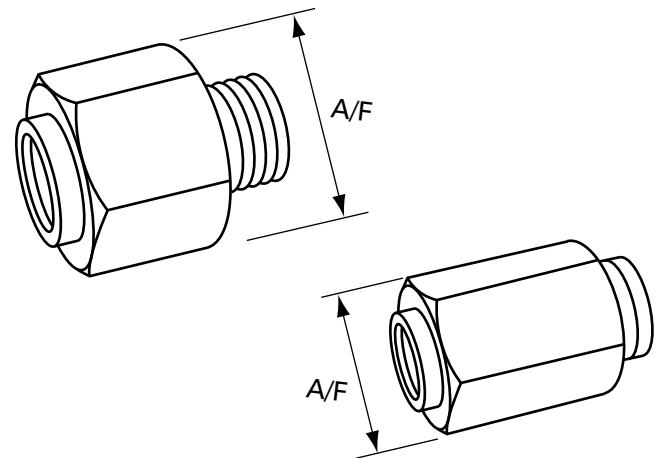
- Brass CZ121
- 316 stainless steel
- Aluminium

## Threadforms

- Metric
- NPT
- PG
- ISO pipe (BSP)
- ET

## Plating options

- Electroless nickel
- Zinc
- Others on application



## Dimensions of metric versions

### Male to female unions UN-D

Size	A/F
M20	37.59
M25	42.42
M32	55.88
M40	55.88
M50	80.01
M63	90.17
M75	114.30

### Female to female unions UF-D

Size	A/F
M20	37.59
M25	42.42
M32	55.88
M40	55.88
M50	80.01
M63	90.17
M75	114.30