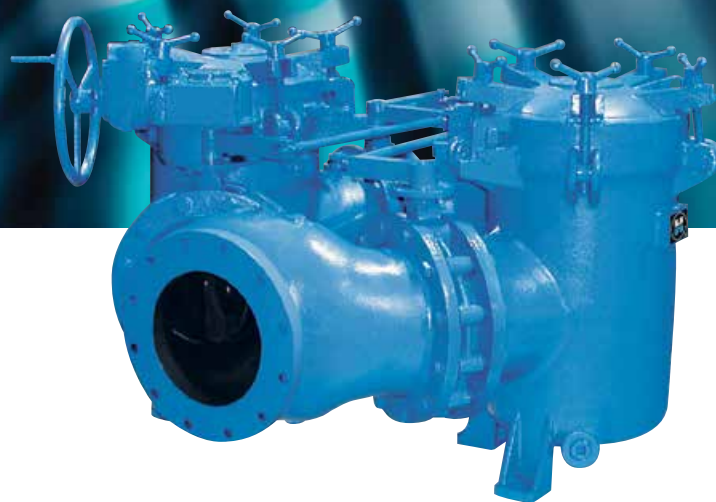


Model 52

- Sizes 10" to 18"
- Iron and bronze
- Flanged



Features

- Continuous flow, no shutdown for basket cleaning
- Compact butterfly valve design
- Quick opening covers
- Convoluted design baskets
- Threaded drain
- Perforated or mesh stainless steel baskets
- Vent
- Positive shutoff

Options

- Ductile iron construction
- Basket perforations from 1/32" to 1/2"
- Basket mesh of 20, 40 or 60
- MONEL® baskets
- Vent valves
- Drain valves
- Gauge taps 1/4" NPT
- Pressure differential gauge and switch connections
- Magnetic basket inserts

MONEL® is a registered trademark of Special Metals Corporation group of Companies.

The butterfly valve advantage

The Eaton Model 52 duplex strainer's design large size with high flow rates benefit from a set of synchronized, high-quality, butterfly valves that minimize the effort to switch the flow from one basket chamber to the other.

The valve replaces the diverter plug used on smaller size strainers and gives a straight flow pattern with no sudden changes in flow direction. The result is a very low pressure loss. A 10" strainer of this type can handle 2,000 gpm (454 m³/h) of water with a pressure drop of only 2 psi (0.14 bar). This is the strainer to choose for high flow rate applications when a low-pressure loss is critical.

Unique basket design

The Model 52 incorporates a larger screening area by convoluting (pleating) the perforated sheet in the strainer basket, thus increasing the available screening area while reducing the total basket size.

The flow enters the basket from the side, not the top, resulting in a straight through flow pattern. This means a lower pressure drop and greater time between basket cleanings than would be possible with standard design baskets—a substantial savings in time and operating costs.

Compact design

Lighter weight and a smaller profile make this strainer ideal for situations when space requirements are tight.

Easy to operate

- A single hand wheel operator can be on either side of the strainer if accessibility is a problem.
- An arrow on the top of the gear housing indicates which basket chamber is in service and which is ready for cleaning.
- Quick opening covers make strainer basket changing or cleaning quick and easy with no tools or lifting gear.



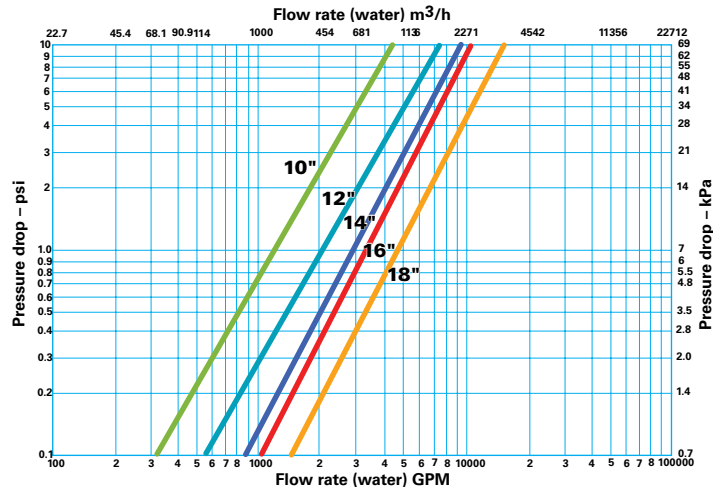
Powering Business Worldwide

Model 52 Large Duplex Basket Strainer

Selection chart

Size	Material	End connection	Seals	Pressure rating*
10" to 12"	Iron	Flanged 125#	Buna-N®	200 psi (13.8 bar)
10" to 12"	Bronze	Flanged 150#	Buna-N	200 psi (13.8 bar)
14" to 18"	Iron	Flanged 125#	Buna-N	150 psi (10.3 bar)
14" to 18"	Bronze	Flanged 150#	Buna-N	150 psi (10.3 bar)

* @ 100 °F (38 °C)



C_v factors*

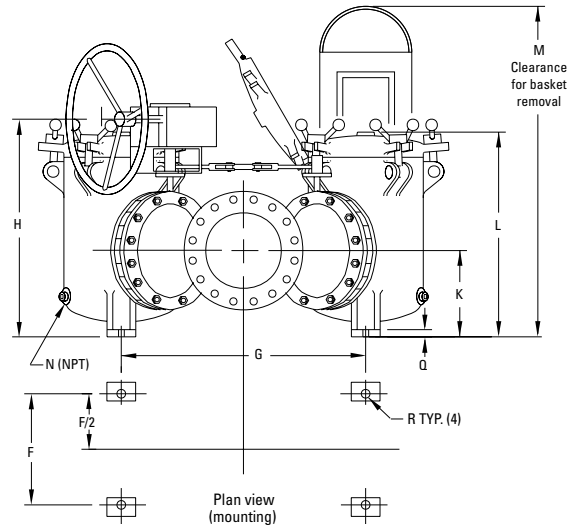
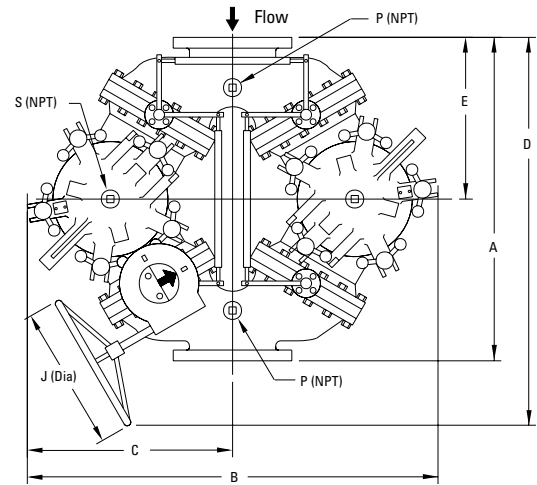
Size	Value	Size	Value
10"	1300	16"	3400
12"	2000	18"	4900
14"	2900		

* For water with clean, perforated basket

Dimensions and weights are for reference only. Contact Eaton for certified drawings.

Dimensions (in/mm)

Pipe size	A	B	C	D	E	F	G	H	J	K	L	M	N	P	Q	R	S	Wt (lb / kg)	
																		Iron	Bronze
10	45	51	26	52	22-1/2	19	32	30-1/4	18	12-3/16	29	49	1-1/2	1/2	1	1	1/4	1600	2003
	1143	1295	660	1321	572	483	813	768	457	310	737	1245	-	32	32	-	727	910	
12	62	64	32	66	31	23	41	36-5/8	16	16-3/4	38	66	1-1/2	1/2	1	1	1/4	2650	3318
	1574	1626	813	1676	787	584	1041	924	406	425	965	1676	-	32	32	-	1205	1508	
14	72	76	38	79	35-1/2	27	48	44-3/4	24	18-3/4	44-1/2	77	1-1/2	1/2	1	1	1/4	4300	5384
	1829	1930	965	2007	902	686	1219	1137	610	476	1130	196	-	32	32	-	1955	2447	
16	72	76	38	79	35-1/2	27	48	44-3/4	24	18-3/4	44-1/2	77	1-1/2	1/2	1	1	1/4	4400	5509
	1829	1930	965	2007	902	686	1219	1137	610	476	1130	196	-	32	32	-	2000	2504	
18	72	76	38	79	35-1/2	27	48	44-3/4	24	18-3/4	44-1/2	77	1-1/2	1/2	1	1	1/4	4600	-
	1829	1930	965	2007	902	686	1219	1137	610	476	1130	196	-	32	32	-	2087	-	



North America
44 Apple Street
Tinton Falls, NJ 07724
Toll Free: 800 656-3344
(North America only)
Tel: +1 732 212-4700

Europe/Africa/Middle East
Auf der Heide 2
53947 Nettersheim, Germany
Tel: +49 2486 809-0

Internormen Product Line
Friedensstraße 41
68804 Altludersheim, Germany
Tel: +49 6205 2094-0

Begerow Product Line
An den Nahewiesen 24
55450 Langenlonsheim, Germany
Tel: +49 6704 204-0

China
No. 3, Lane 280,
Linhong Road
Changning District, 200335
Shanghai, P.R. China
Tel: +86 21 5200-0099

Singapore
4 Loyang Lane #04-01/02
Singapore 508914
Tel: +65 6825-1668

Brazil
Av. Julia Gaioli, 474 – Bonsucesso
07251-500 – Guarulhos, Brazil
Tel: +55 11 2465-8822

For more information, please
email us at filtration@eaton.com
or visit www.eaton.com/filtration

© 2014 Eaton. All rights reserved. All trademarks and registered trademarks are the property of their respective owners. All information and recommendations appearing in this brochure concerning the use of products described herein are based on tests believed to be reliable. However, it is the user's responsibility to determine the suitability for his own use of such products. Since the actual use by others is beyond our control, no guarantee, expressed or implied, is made by Eaton as to the effects of such use or the results to be obtained. Eaton assumes no liability arising out of the use by others of such products. Nor is the information herein to be construed as absolutely complete, since additional information may be necessary or desirable when particular or exceptional conditions or circumstances exist or because of applicable laws or government regulations.

US
EF-SSEA-13
6-2014