

# CIT 300

## Process Display with Contacts and Analogue Output



### Functional range

- ▶ free scalable display
- ▶ 4 characteristic curve functions selectable (linear, root, square function or max. 20 free selectable points)
- ▶ switch mode, hysteresis, parameterizable deceleration of relay outputs
- ▶ display brightness and filter adjustable
- ▶ adjustable analogue output 0/4 ... 20 mA
- ▶ acoustic signal

### Product characteristics

- ▶ input signal: 0/4 ... 20 mA, 0/1 ... 5 V, 0/2 ... 10 V
- ▶ 4-digit LED display
- ▶ transducer supply 24 V<sub>DC</sub>
- ▶ communication interface RS-485 (Modbus RTU)
- ▶ front panel housing 96 x 48 mm

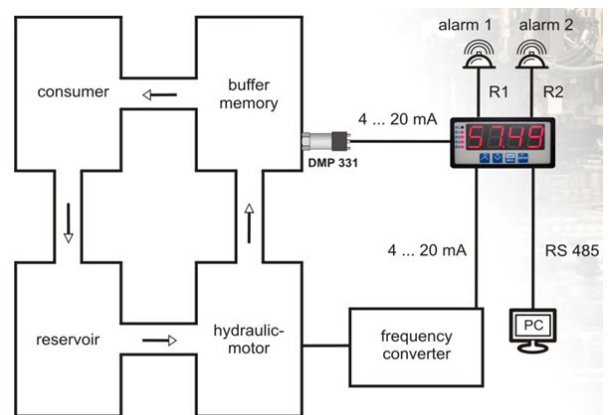
### Optional versions

- ▶ input signal Pt100 / 500 / 1000, 0 ... 60 / 75 / 100 / 150 mV, Thermocouple (K, S, J, T, N, R, B, E)
- ▶ 2 / 4 contacts, analogue output

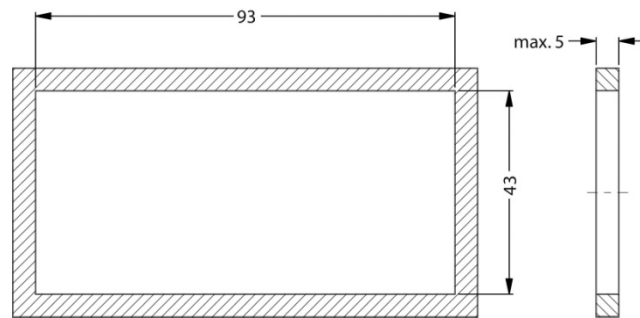
### Typical application



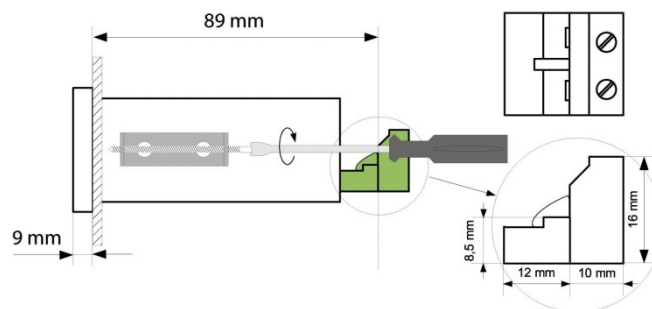
pressure regulation of a hydraulic circuit



<b>Supply</b>		
Supply voltage	standard: 85 ... 260 V <sub>AC</sub> or V <sub>DC</sub>	option: 16 ... 35 V <sub>AC</sub> / 19 ... 50 V <sub>DC</sub>
Power consumption	max. 6.5 VA or W	
<b>Signal input</b>		
Input signal	standard: 0/4 ... 20 mA, 0/1 ... 5 V, 0/2 ... 10 V option: Pt100 / Pt500 / Pt1000 Universal input 0/4 ... 20 mA, 0/1 ... 5 V, 0/2 ... 10 V, 0 ... 60/75/100/150 mV, Pt100/500/1000, Thermocouple (K, S, J, T, N, R, B, E)	
<b>Contacts (optional)</b>		
Contact	2 or 4 SPST-relay	
Switching voltage	max. 250 V <sub>AC</sub>	
Switching current	max. 1 A (cos φ 1)	
<b>Analogue output (optional)</b>		
Output signal / Permissible load	0/4 ... 20 mA (only possible in combination with 2 contacts) / max. 700 Ω	
<b>Transducer supply</b>		
DC	24 V <sub>DC</sub> + 5%, - 10%, max. 100 mA	
<b>Communication / Performance</b>		
Communication interface	RS-485 (Modbus RTU)	
Transmission speed	1200 - 115200 bit/sec.	
<b>Permissible temperatures</b>		
Operating temperature	0 ... 50 °C	
Storage temperature	-10 ... 70 °C	
<b>Electrical protection</b>		
Electrical safety	EN 61010-1	
EMC	EN 61326	
<b>Miscellaneous</b>		
Type of protection	IP 65 (front foil), IP 20 (housing, connectors)	
Display	4-digit LED display, red, 4 x 20 mm	
Range of indication	- 999 ... 9999 + decimal point	
Accuracy (25 °C)	± 0,1 %, 0,25 % (TC: N), 0,5 % (TC: S, T, R, B)	Stability: 0,05 % / 10 K
Housing dimensions	96 x 48 x 98 mm	
Housing	panel	
Housing material	NORYL-GFN2S E1	
<b>Mechanical connection (dimensions in mm)</b>		



mounting hole dimensions



dimensions of brackets and connectors

© 2016 BD/SENSORS GmbH – The specifications given in this document represent the state of engineering at the time of publishing. We reserve the right to make modifications to the specifications and materials.

## Ordering code CIT 300

CIT 300



<b>Input type</b>			
0/4 ... 20 mA, 0/1 ... 5 V, 0/2 ... 10 V	1		
Pt100, Pt500, Pt1000	2		
Universal (mA, mV, V, RTD, TC)	3		
<b>output</b>			
without	0		
2 SPST relay	2		
4 SPST relay	4		
2 relay outputs + analogue output	5		
<b>Supply</b>			
85 ... 260 V <sub>AC</sub> / V <sub>DC</sub>	1		
16 ... 35 V <sub>AC</sub> / 19 ... 50 V <sub>DC</sub>	2		
<b>Display foil</b>			
neutral		1 0 0	
customer		9 9 9	consult
<b>Special version</b>			
standard		0 0 0	
customer		9 9 9	consult

26.03.2014

This document contains product specification; properties are not guaranteed. Detailed information about options are defined in the datasheet. Subject to change without notice.

