

## FR Flushing Ring

### FEATURES

- Dual ½ NPT flushing ports for flush (DF) diaphragm seals
- Machined from bar stock
- Various ASME B16.5 flange sizes
- Available in a variety of materials

### TYPICAL USES

- Oil and Gas
- Refineries
- Chemical and Petrochemical
- Water and Wastewater
- NACE compliant processes
- Biogas and Diesel



**FR**  
Flushing Ring

### SPECIFICATIONS

Connection Style:	Flanged
Process Connection Size:	1, 1½, 2, 3 or 4 NPS per ASME B16.5
Flush Ports:	Dual ½ NPT
Flange Ratings:	ASME B16.5: 150, 300, 600, 900, 1500, 2500
Flange:	Raised face or ring joint
Approvals and Certificates:	CRN, NACE, ATEX, PMI, EN10204 3.1

### WETTED COMPONENTS

Flush ring, flush plugs (OPT.)

### KEY BENEFITS

- Provides a process flushing option for flush flanged diaphragm seals
- Can be used to flush, sample, or vent process when used with isolating valves

# Data Sheet

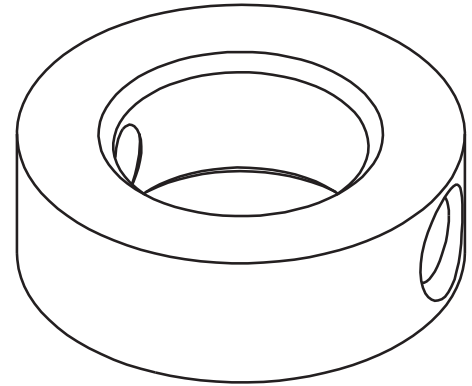
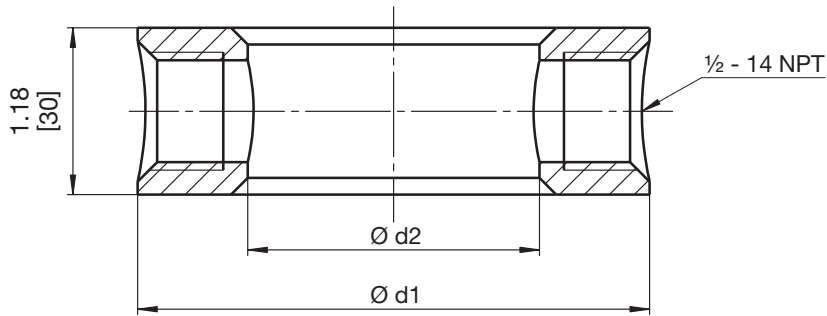
## FR Flushing Ring

ORDERING CODE	Example:	10	FR	S	150	RF	XMQ
<b>Process Connection Size</b>							
10 - 1 NPS		10					
15 - 1½ NPS							
20 - 2 NPS							
30 - 3 NPS							
40 - 4 NPS							
<b>Flush Ring</b>							
FR - Flushing Ring			FR				
<b>Material</b>							
S - 316L Stainless steel				S			
P - Monel <sup>®</sup> 400							
H - Hastelloy <sup>®</sup> C-276							
Z - Duplex 2205							
<b>Flange Class</b>							
150 - ASME 150 class					150		
300 - ASME 300 class							
600 - ASME 600 class							
900 - ASME 900 class							
1500 - ASME 1500 class							
2500 - ASME 2500 class							
<b>Flange Form</b> (Contact Ashcroft for other range forms)							
RF - Raised Face						RF	
RJ - Ring Joint							
<b>Options (if choosing option(s) must include an "X")</b>							
PU - Dual flushing plugs in same material							X_
C3 - EN 3.1 Traceability							
CD5 - NACE certificate							
MQ - Positive material identification							MQ

## FR Flushing Ring

**DIMENSIONS** in [ ] are millimeters

For reference only, consult Ashcroft for specific dimensional drawings



Size	Flange Type	Ød1	Ød2
1"	ASME Raised Face 150-2500 Class	2.00	1.50
1½"	ASME Raised Face 150-2500 Class	2.88	1.61
2"	ASME Raised Face 150-2500 Class	3.63	2.07
3"	ASME Raised Face 150-2500 Class	5.00	3.07
4"	ASME Raised Face 150-2500 Class	6.19	4.03