

IDSR Interlocked Switched Receptacles

Weatherproof. Watertight.

With Breaker or Disconnect Switch, Fusible or Non-fusible. For use with Powertite™ ACP plugs.

CEC:

Listed for Ordinary (Unclassified) Locations
NEMA 3, 5 or 3, 4X, 5

Applications

- Used to supply power to portable and mobile electrical equipment in all indoor and outdoor non-hazardous locations.
- Used to provide short circuit protection to portable equipment when supplied with a circuit breaker or fused disconnect.
- Provides a convenient ON-OFF mechanism.
- Ideal for use in areas where dust, dirt or moisture is a problem.
- Suitable for use in:
 - Chemical plants
 - Process facilities
 - Meat packing plants
 - Other manufacturing industries
- Provides high amperage power to heavy equipment such as:
 - Motor-generator sets
 - Compressors
 - Heating and cooling units
 - Welders
 - Conveyors

Features

- Receptacles are provided with a safety-interlock system. Plugs cannot be inserted or removed unless the power switch is in the "OFF" position.
- The Safety-Interlock is designed to free both hands for insertion and removal of the plug.
- A cover interlock is provided to prevent entry to the enclosure while the operator is in the "ON" position.
- Uses standard Powertite™ ACP or CPH plugs for wide acceptability.
- Furnished with rugged cast aluminum housings.
- Receptacle with standard spring door cover is NEMA 3 and 5, when used with supplied screw cover it is NEMA 3, 4x and 5.
- Receptacles with 3 phase 4 wire grounded receptacles are pre-wired to the breaker or disconnect switch.
- Patented brass receptacle contacts exert constant pressure for good electrical continuity.
- Appleton's insulating blocks provide the greatest dielectric and mechanical strength.
- Ergonomically designed yet rugged cast aluminum handle for exceptional durability and corrosion resistance.
- 600 Vac FB Circuit Breakers.
- Provision is made for locking the operating mechanism in the "OFF" position.

Standard Materials

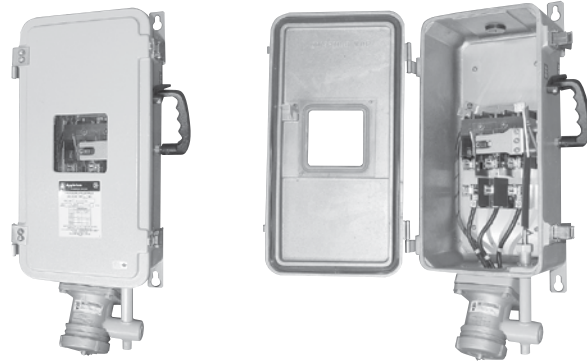
- Enclosure and Receptacle: cast copperfree (4/10 of 1% max.) aluminum

Standard Finish

- Epoxy powder coat.

Options

- One normally opened, one normally closed auxiliary switch, add suffix **-AUX**.
- Lockable cover latch add suffix **-DL**.
- LED Indicator Lights: one light indicates power unit and other indicates switch is in "ON" position add suffix **-IL**.
- Supplied with viewing window add suffix **-W**.



CEC Certifications and Compliances

- CSA Standard: C22.2 No. 4, C22.2 No. 5, C22.2 No. 182.1
- CSA Certified: 048391

Related Products

- Uses standard Powertite™ ACP or CPH plugs for wide acceptability.


IDSR Interlocked Switched Receptacles

Weatherproof. Watertight.

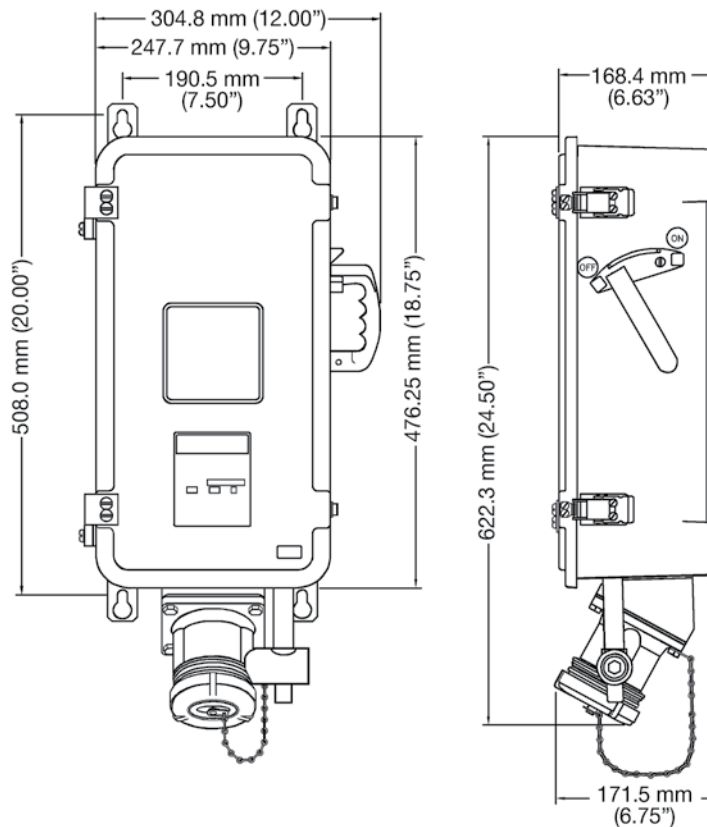
With Breaker or Disconnect Switch, Fusible or Non-fusible. For use with Powertite™ ACP plugs.

CEC:
Listed for Ordinary (Unclassified) Locations
NEMA 3, 5 or 3, 4X, 5



	Amp.	Fusing •	HP at 600 Vac 3-Phase ①	Without Viewing Window	With Viewing Window	Aux. Contacts ② 1 or 2 NO/NC		Mating Plug
	30	Fused	7.5/20	IDSR3034	IDSR3034-W	WS30AUX1	WS30AUX2	ACP3034BC
	60	Fused	15/50	IDSR6034	IDSR6034-W	WS60AUX1	WS60AUX2	ACP6034BC
	100	Fused	30/70	IDSR1034	IDSR1034-W	WS100AUX1	WS100AUX2	ACP1034CD
	30	Non-Fused	25	IDSR3034-NF	IDSR3034-NF-W	WS30AUX1	WS30AUX2	ACP3034BC
	60	Non-Fused	60	IDSR6034-NF	IDSR6034-NF-W	WS60AUX1	WS60AUX2	ACP6034BC
	100	Non-Fused	75	IDSR1034-NF	IDSR1034-NF-W	WS100AUX1	WS100AUX2	ACP1034CD

Dimensions in Millimeters (Inches)



• Fuses not included in fused products. Class J fusing standard on IDSR fusible units. Product cannot be retrofitted with Class K, R, or S fusing.
① STD/MAX ratings based on type of fuse used eg. For IDSR 3034 – rated at 7.5 HP with standard fuse or rated at 20 HP with time delay fuse.
② Auxiliary contacts ordered separately for field installation.