

# ASR POWERTITE RECEPTACLE WIRING INSTRUCTIONS

## READ BEFORE INSTALLING THIS DEVICE

### INFORMATION

ASR POWERTITE devices feature a receptacle prewired to a load rated disconnect switch. The receptacle is interlocked requiring the switch to be in the OFF position to insert or remove a like rated plug. The enclosure is rated NEMA 3, 4X, 12 for both indoor and outdoor use. The switch handle has a padlock provision as a method of compliance to OSHA Lockout/Tagout Regulations.

**WARNING:** TURN OFF ALL POWER SUPPLIED TO RECEPTACLE BEFORE INSTALLING OR SERVICING CHECK IF DEVICE RATING IS SUITABLE FOR YOUR REQUIREMENT

**NOTICE:** Suitable for use on a circuit capable of delivering not more than: 10k AIC Amperes @ 600VAC MAX, Non-Fusible Model; 100k AIC Amperes @ 600VAC MAX, Fusible Model.

**NOTICE:** Non-fused models require separate overcurrent protection. Protection must not exceed the Ampere rating of the receptacle for either Fusible or Non-Fusible models.

**NOTICE:** USE COPPER CONDUCTORS ONLY with a 75°C min. insulation rating. Size wire to the 75°C column of Table 310-16 of the NEC or Table 2 the Canadian Electrical Code.

**CAUTION:** UNIT IS NOT GROUNDED. Use an approved method, such as a grounding style conduit hub. Install electrical connection from fitting lock nut to a green/yellow grounding terminal block.

### COMPONENT LIST

#### Factory Provided & Installed:

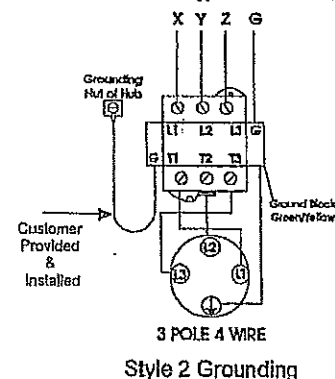
1. ASR Enclosure- Bottom box with receptacle. Cover with padlockable handle and interlock mechanism (cover is separated from bottom)
2. Receptacle, pre-wired to switch (non-fusible displayed)
3. Two grounding terminal blocks (green/yellow)
4. Receptacle ground wire (green/yellow)
5. External mounting feet kit

#### Customer Provided & Installed:

1. Line conductors and equipment grounding conductor
2. Conduit Hub, grounding type - watertight style required to maintain Type 4X rating (See Appleton HUB/HUBG Series Hubs)
3. Ground Wire from hub fitting lock nut to green/yellow grounding terminal block
4. Class J Fuses sized according to switch size and load requirement (Fusible models only)

### Wiring Diagram

Refer to labels inside bottom box for terminal specifications and rating information



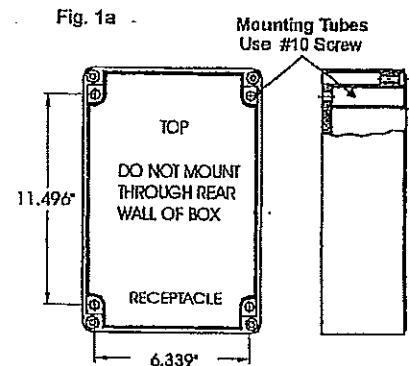
# ASR POWERTITE RECEPTACLE MOUNTING INSTRUCTIONS

## NOTE:

- ASR POWERTITE Receptacles can be mounted with External Mounting Feet or by using Mounting Tubes located near corners of bottom box.
- The Hinged Cover is separated from bottom box to facilitate initial installation and to provide access to mounting tubes.
- Mounting details for each method are detailed below along with instructions for attachment of hinged cover to bottom box.
- Mount unit on a secure flat vertical surface with receptacle end down.
- Top feed installation – always use condensation drip loop in Type 4X areas.

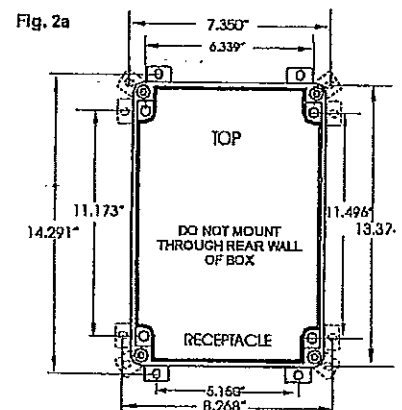
### Direct Mount – Using Corner Mounting Tubes

1. Screws recommended for direct mounting: #10.
2. Prepare mounting surface- Refer to Vertical and Horizontal Mounting Dimension (Fig. 1a) to assure ample space is available.
3. Drill hub entry in bottom box- Starter drill points are provided in top left end wall, bottom left end wall, and top left of rear wall for back feed installation.
4. Secure conduit hub (customer provided) onto the conduit and secure to bottom box through drilled hub entry position.
5. Drop #10 screw into each corner mounting tube (Fig. 1a) and secure to prepared surface. (Hardware not provided)
6. Follow wiring guidelines found inside unit and wire switch, equipment ground wire, hub locknut ground wire and install fuses. (for fusible model only)
7. Install hinged cover- See instructions below.



### Mount with External Mounting Feet - Kit provided

1. Turn bottom box over to expose threaded rivets in corner areas.
2. Screw mounting feet into corner mounting rivets and position mounting feet as required. (Fig. 2a) Note: Check dimensions to assure ample space is available.
3. Drill hub entry in bottom box- Starter drill points are provided in top left end wall, bottom left end wall, and top left of rear wall for back feed installation.
4. Secure conduit hub (customer provided) onto the conduit and secure to bottom box through drilled hub entry position.
5. Fix mounting feet to surface with hardware suited to surface material and conditions.
6. Follow wiring guidelines found inside unit and wire switch, equipment ground wire, hub locknut ground wire and install fuses ( for fusible model only)
7. Install hinged cover – See instructions below.



### Installing Hinged Cover to Bottom Box

1. Position cover so "ON" is in at the top of unit.
2. Align radius (curved) side of brass extension pieces to radius (curved) side of two bottom mounting tubes.
3. Push extension pieces into tubes, approx. 1", they will "snap" into place.
4. With handle in OFF position, close cover over switch and align cover screws to corner rivets. Slight wiggle of cover/handle may be needed to position properly. Tighten cover screws to 25 lb.-in.

