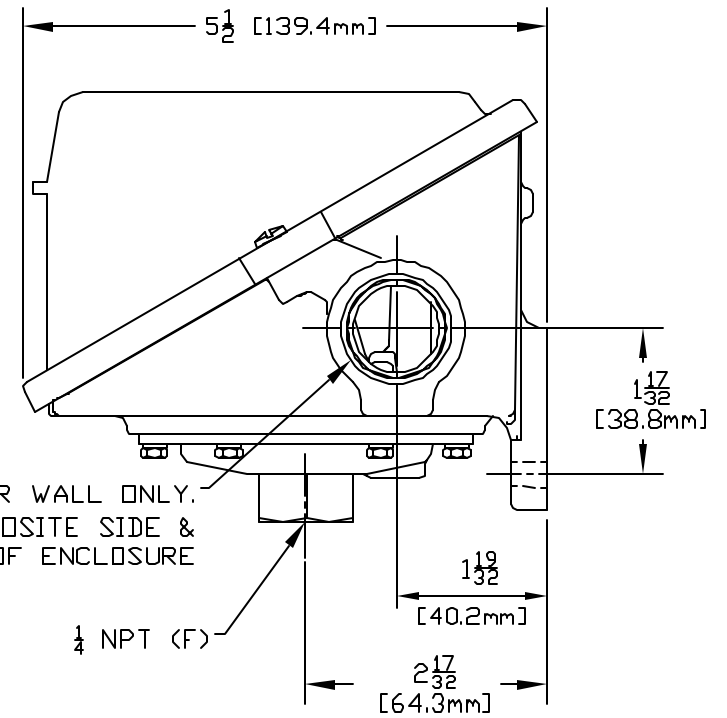
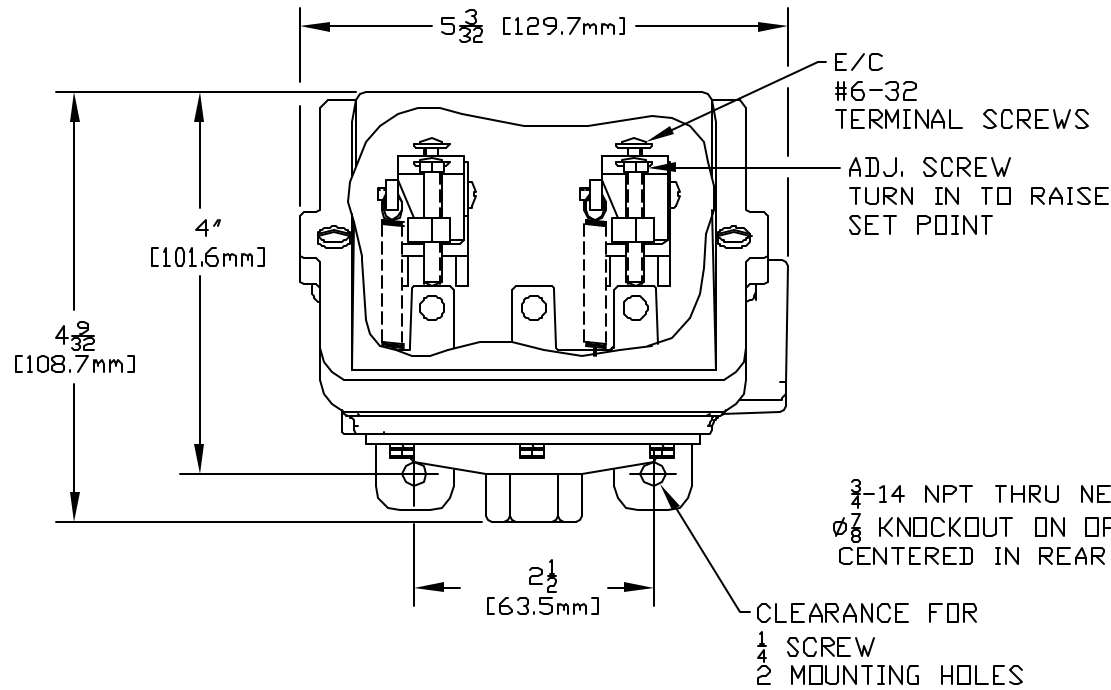


UL LISTED, CSA CERTIFIED, NEMA 4.
I & M SHEET IMP400.

A-12316



443	0 to 80"wc	0 to 199.1
442	0 to 20"wc	0 to 49.8
441	0 to 10"wc	0 to 24.9
MODEL NO.	psi	mbar
	ADJUSTABLE RANGE	
	LOW END OF RANGE ON FALL	
	HIGH END OF RANGE ON RISE	

P	REDRAWN, UPDATED ENCLOSURE. ECN#E0821	6-28-04	S.R.	HN
SYM	DESCRIPTION	DATE	DWN	APPD
REVISIONS				

ORIGINAL DATE	11-5-87
DRWN	J. CARTER
CHKD	P. WEILER
APPD	A. MINASSIAN
UNLESS OTHERWISE SPECIFIED DIMENSIONS ARE IN INCHES	

TITLE
J402-
441 TO 443

DF001D
UE
UNITED ELECTRIC
CONTROLS COMPANY
WATERTOWN * MASSACHUSETTS

DWG NO
A-12316

DO NOT SCALE THIS DRAWING

SCALE 1:2