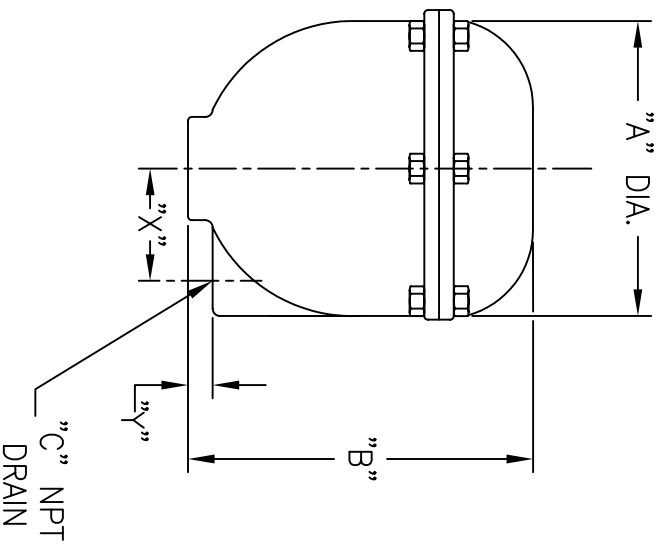


PIPE SIZE (NOMINAL) IN. MM	"A" IN. MM	"B" IN. MM	"C" IN. MM	"X" IN. MM	"Y" IN. MM	WEIGHT lbs [kg]	PART NO.
1 [25]	5.25 / 133	6.13 / 156	1/2 [15]	1.94 / 49	0.19 / 5	11 [5.0]	1.40EHC
1-1/2 [40]	5.25 / 133	6.13 / 156	1/2 [15]	1.94 / 49	0.19 / 5	11 [5.0]	1.540EHC
2 [50]	7.50 / 191	8.88 / 225	3/4 [20]	2.81 / 71	0.38 / 10	25 [11.4]	2.40EHC
2-1/2 [65]	7.50 / 191	8.88 / 225	3/4 [20]	2.81 / 71	0.38 / 10	25 [11.4]	2.540EHC
3 [80]	8.75 / 222	11.25 / 286	3/4 [20]	3.19 / 81	1.0 / 25	40 [18.2]	3.40EHC
4 [100]	10.00 / 254	11.88 / 302	1 [25]	3.81 / 97	1.0 / 25	50 [22.7]	4.40EHC

**NOTES:**

1. ALL DIMENSIONS ARE IN INCHES [MM].
2. ALL BOLT HOLES ARE TO STRADDLE NATURAL CENTERLINES.
3. SHIPPING WEIGHT: SEE TABLE
4. DESIGN DATA:  
DESIGN PRESSURE- ATMOSPHERIC  
DESIGN TEMPERATURE- AMBIENT (MAX. 450° F)  
CORROSION ALLOWANCE- 0 INCHES
5. MATERIAL: CAST IRON



CUSTOMER:  
REG NO.:.  
P.O. NO.:.  
TAG NO.:.  
PART NO.:. SEE TABLE

**EATON**

**EATON FILTRATION, LLC**  
900 FAIRMOUNT AVENUE, ELIZABETH, NEW JERSEY 07207

NAME: EXHAUST HEAD (CAST IRON)  
NPT THREADED SIZES 1" - 4"

UNAUTHORIZED USE, MANUFACTURE OR REPRODUCTION IN WHOLE OR IN PART IS PROHIBITED. DRAWING, DESIGN AND OTHER DISCLOSURES PROPERTY OF EATON FILTRATION, LLC

ELECTRONIC FILE NAME: SDEHCIT  
REF. ECR D957  
DATE 5/24/06

DRAWN	FF	DATE	5/24/06	CERT.	FM	DATE	5/24/06
SIZE	DWG	SDEHCIT					
A	NO	REV B					