

*Eaton's DCF-2000 is designed specifically to address the challenges associated with filtering coatings and slurries in the paper making industry. Eliminate paper breaks and streaks, reduce the environmental impact, and maximise uptime and productivity – for high production volumes and consistent product quality.*



DCF-2000  
single  
configuration

## DCF-2000

With a rugged motorised cleaning action, the DCF-2000 can handle the continuous processing requirements of protecting critical wet-end coating operations.

### FEATURES

- Filters coatings with 48% to 72% dry solid content, at 75microns and above – the tightest in the industry
- Continuously removes contaminants from the coating and efficiently purges collected contaminants while operating at a low, constant differential pressure
- Designed for continuous automatic operation – without the need for operator intervention
- Mechanical cleaning eliminates replacement media cost and reduces the expense of waste disposal
- Increased profitability – improves system efficiency, reduces paper breaks and the associated downtime
- Multiplex configurations available and connected to a common tapered header for high-flow applications

### TYPICAL APPLICATIONS

- Paper coatings



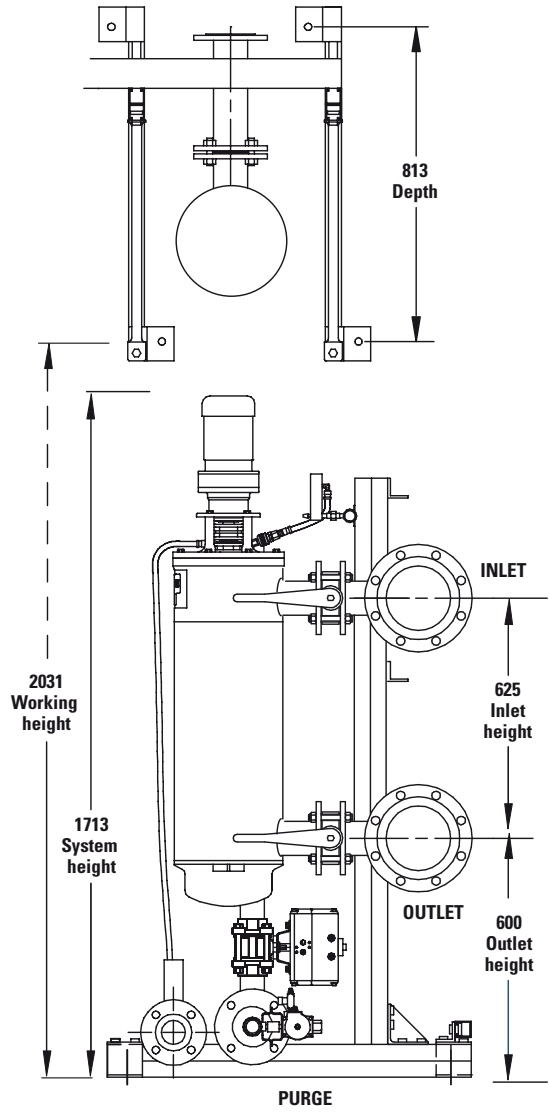
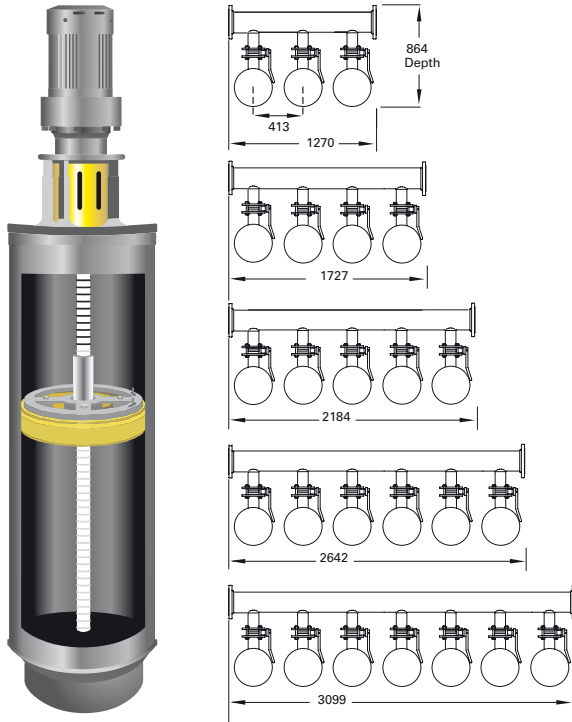
DCF-2000  
multiplex  
configuration



*Powering Business Worldwide*

# DCF-2000 Disc-Cleaning Filters

Driven at a constant rate and pressure, the cleaning disc continuously wipes collected debris from the screen. Collected contaminants are agitated in the collection chamber, keeping them in a semi-liquid state, ready to be purged from the system.



## DCF-2000: SPECIFICATIONS

Single unit weight	256 kg
Service height	2031 mm
Total volumetric capacity	41.6 l
Purge chamber capacity	6 l
Filtration surface area	3935 cm <sup>2</sup>
Flow rate range at 100 µm	6.8 – 45.4 m <sup>3</sup> /h
Temperature, maximum*	71 °C
Pressure, maximum	10 bar standard
Housing/wetted parts material	Standard: 316 stainless steel
Electrical for motor drive	Single phase 110/220 V, 50/60 Hz for control and three phase, 220/380/440/575 V (please specify), 50/60 Hz for motor
Electrical for controllers	Single phase 110/220 V, 50/60 Hz

\* Dependent on elastomer seal and cleaning disc material selection.

**North America**  
44 Apple Street  
Tinton Falls, NJ 07724  
Toll Free: 800 656-3344  
(North America only)  
Tel: +1 732 212-4700

**China**  
No. 3, Lane 280,  
Linhong Road  
Changning District, 200335  
Shanghai, P.R. China  
Tel: +86 21 5200-0099

**Europe/Africa/Middle East**  
Auf der Heide 2  
53947 Nettersheim, Germany  
Tel: +49 2486 809-0

**Singapore**  
100G Pasir Panjang Road #07-08  
Singapore 118523  
Tel: +65 6825-1668

Friedensstraße 41  
68804 Altlußheim, Germany  
Tel: +49 6205 2094-0  
An den Nahewiesen 24  
55450 Langenlonsheim, Germany  
Tel: +49 6704 204-0

**Brazil**  
Av. Ermanno Marchetti, 1435 -  
Água Branca, São Paulo - SP,  
05038-001, Brazil  
Tel: +55 11 3616-8461



For more information, please email us at [filtration@eaton.com](mailto:filtration@eaton.com) or visit [www.eaton.com/filtration](http://www.eaton.com/filtration)

EN  
12-2020

© 2020 Eaton. All rights reserved. All trademarks and registered trademarks are the property of their respective owners. All information and recommendations appearing in this brochure concerning the use of products described herein are based on tests believed to be reliable. However, it is the user's responsibility to determine the suitability for his own use of such products. Since the actual use by others is beyond our control, no guarantee, expressed or implied, is made by Eaton as to the effects of such use or the results to be obtained. Eaton assumes no liability arising out of the use by others of such products. Nor is the information herein to be construed as absolutely complete, since additional information may be necessary or desirable when particular or exceptional conditions or circumstances exist or because of applicable laws or government regulations.

