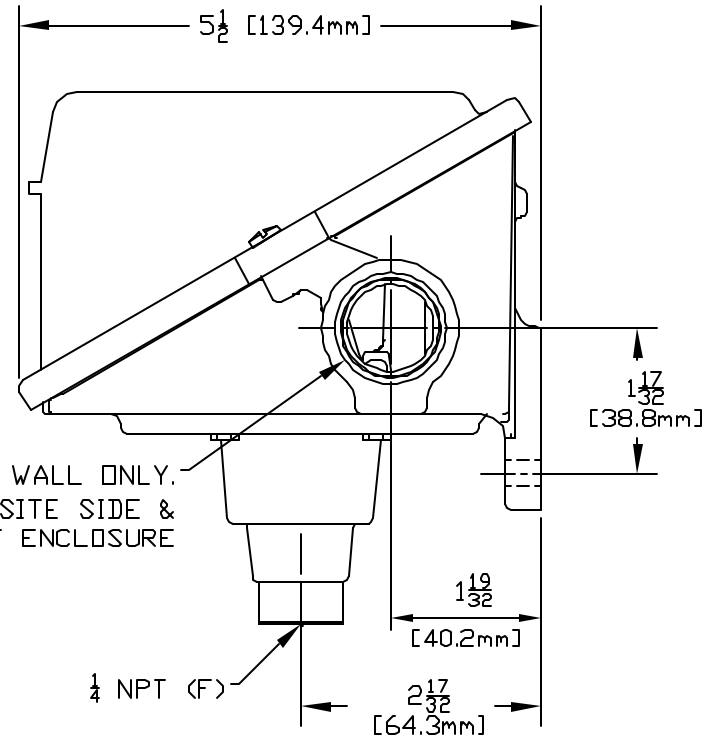
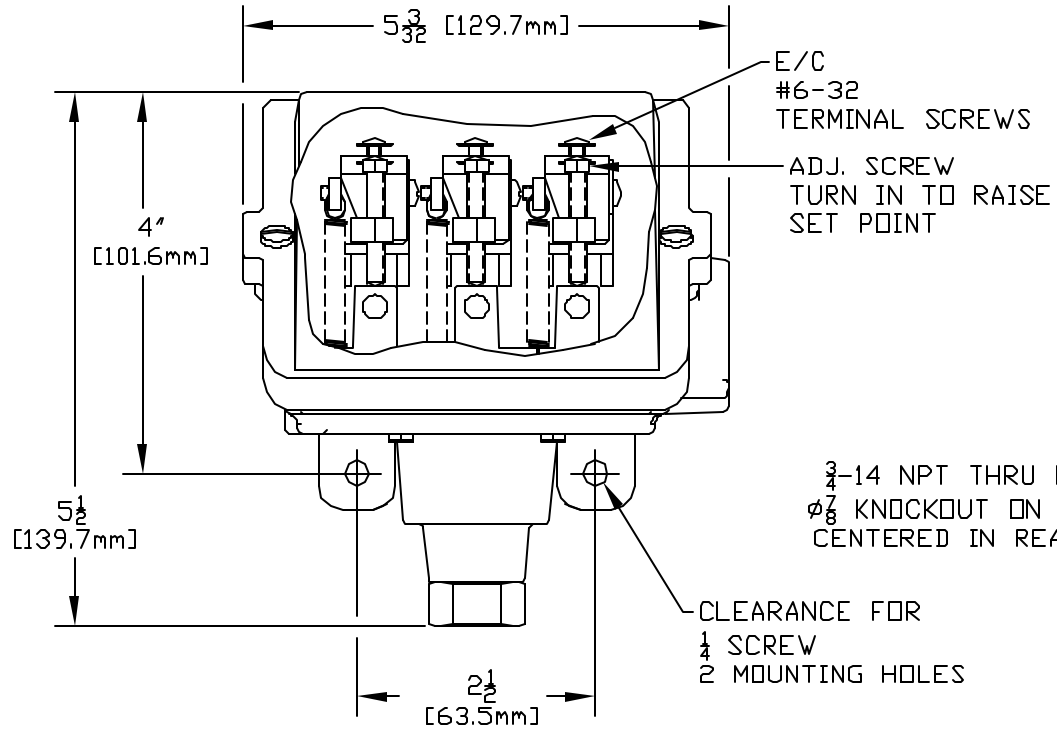


UL RECOGNIZED COMPONENT,  
CSA CERTIFIED, NEMA 4.  
I & M SHEET IMP400.



274	0 to 300	0 to 20.7
270	0 to 200	0 to 13.8
MODEL NO.	psi	bar
	ADJUSTABLE RANGE	
	LOW END OF RANGE ON FALL	
	HIGH END OF RANGE ON RISE	

P	REDRAWN, UPDATED ENCLOSURE, ECN#E0821	6-28-04	S.R.	HN
SYM	DESCRIPTION	DATE	DWN	APPD
REVISIONS				

ORIGINAL DATE	11-7-86
DRWN	J. CARTER
CHKD	NEIL MacKAY
APPD	A. MINASSIAN
UNLESS OTHERWISE SPECIFIED DIMENSIONS ARE IN INCHES	
DO NOT SCALE THIS DRAWING	

TITLE	J403 270 & 274
SCALE	1:2

DF001D

UNITED ELECTRIC  
CONTROLS COMPANY  
WATERTOWN \* MASSACHUSETTS

DWG NO  
A-12323