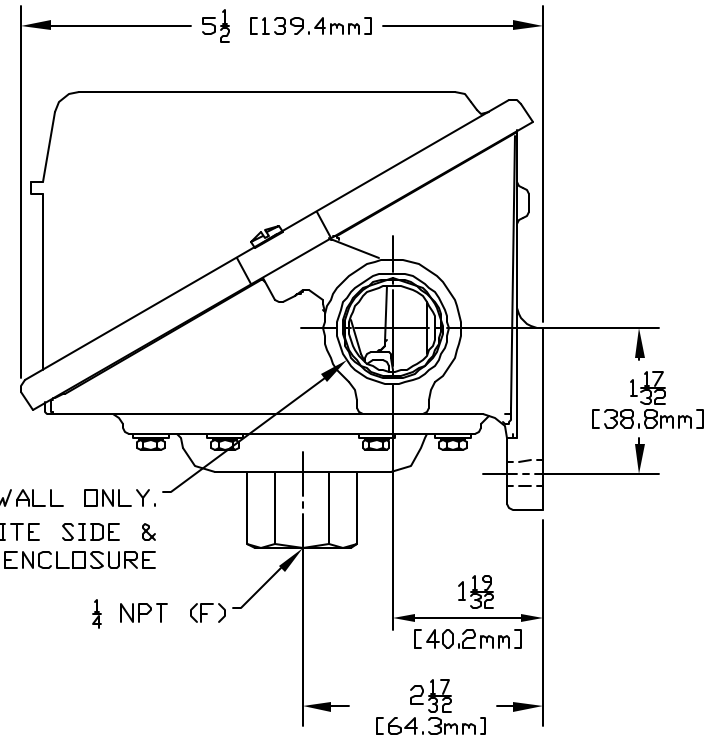
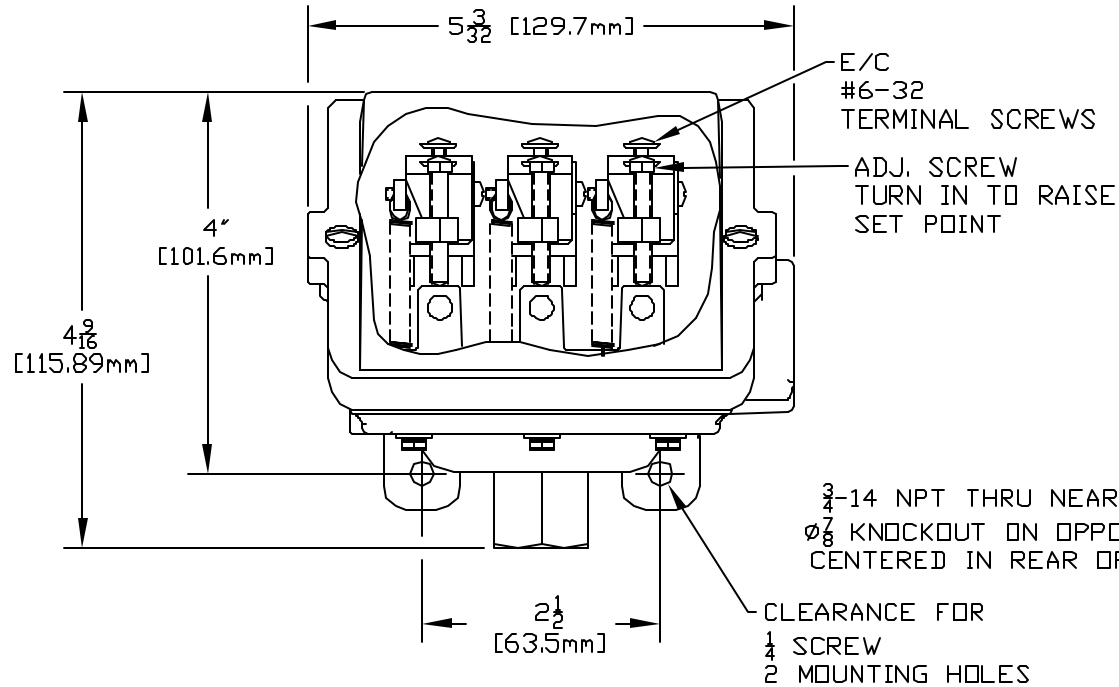


UL LISTED, CSA CERTIFIED, NEMA 4.  
I & M SHEET IMP400.



|           |                           |                  |
|-----------|---------------------------|------------------|
| 572       | 0 to 100                  | 0 to 6.9         |
| 571       | 0 to 50                   | 0 to 3.4         |
| 570       | 0 to 20                   | 0 to 1379.0 mbar |
| MODEL NO. | psi                       | bar              |
|           | ADJUSTABLE RANGE          |                  |
|           | LOW END OF RANGE ON FALL  |                  |
|           | HIGH END OF RANGE ON RISE |                  |

|           |                                       |         |     |      |
|-----------|---------------------------------------|---------|-----|------|
| C         | REDRAWN, UPDATED ENCLOSURE, ECN#E0821 | 6-28-04 | SR  | HN   |
| SYM       | DESCRIPTION                           | DATE    | DWN | APPD |
| REVISIONS |                                       |         |     |      |

|   |              |
|---|--------------|
| ORIGINAL DATE                                       | 6-24-98      |
| DRWN  | PETER WEILER |
| CHKD  | A. BARTER    |
| APPD  | A. MINASSIAN |
| UNLESS OTHERWISE SPECIFIED DIMENSIONS ARE IN INCHES |              |

|       |                 |
|-------|-----------------|
| TITLE | J403-570 TO 572 |
| SCALE | 1:2             |

DF001D

UNITED ELECTRIC CONTROLS COMPANY  
WATERTOWN \* MASSACHUSETTS

DWG NO  
A-13438

DO NOT SCALE THIS DRAWING