

Plastic butterfly valve



- Manually operated / automatable
- For aggressive media
- Low torques
- Long lifespan
- Maintenance friendly

Type 2674 can be combined with...



Typ 2052

Pneumatic actuator



Type 3003

Electric actuator



Type 3004

Electric actuator (ATEX)



Type 3005

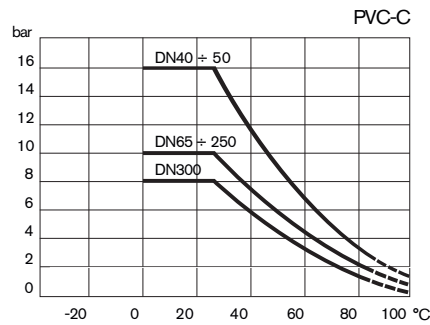
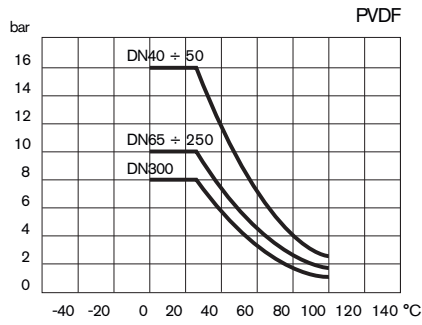
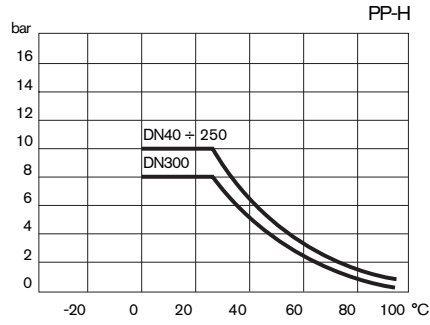
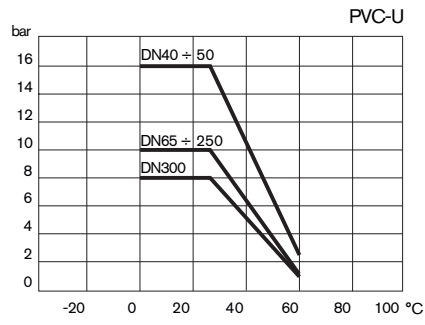
Electric actuator

2/2 way plastic butterfly valves used for control and on/off operations. Type 2674 can be connected via the mechanical interface (acc. to ISO 5211) with pneumatic (for example, type 2052 or 2051) and electrical rotary actuators (for example, type 3003, 3004 or 3005).

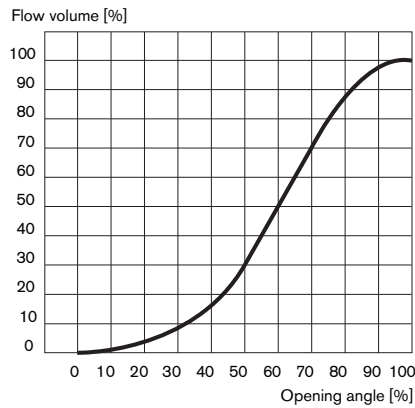
Next to this, the valve is available with different kinds of liner (EPDM, FPM), housing (PVC-U, PP-GR) and disc (PVC-U, PP-H, PVDF, PVC-C) materials. Consequently, type 2674 is suited for various aggressive media and meets the requirements of different applications and processes.

Technical Data	
Body	Wafer Lug (on request)
Body material	PVC-U (FE-Version) PP-GR (FK-Version)
Disc material	PVC-U PP-H PVDF PVC-C (on request)
Seal material	EPDM, FPM
Temperature range	
PVC-U	0 ... +60 °C
PP	0 ... +90 °C
PVDF	0 ... +100 °C
PVC-C	0 ... +100 °C
Port connection	DIN 2501, ISO DIS 9624, UNI 2223 BS 10 table D/E ASA B16.5 class 150 JIS 2212 (K10 except for DN200 / DN300), JIS 2212 (K5 except for DN50)
Medium pressure	See pressure temperature chart
ISO top flanges	EN ISO 5211

Pressure Temperature Chart



Flow rate



Torque Chart

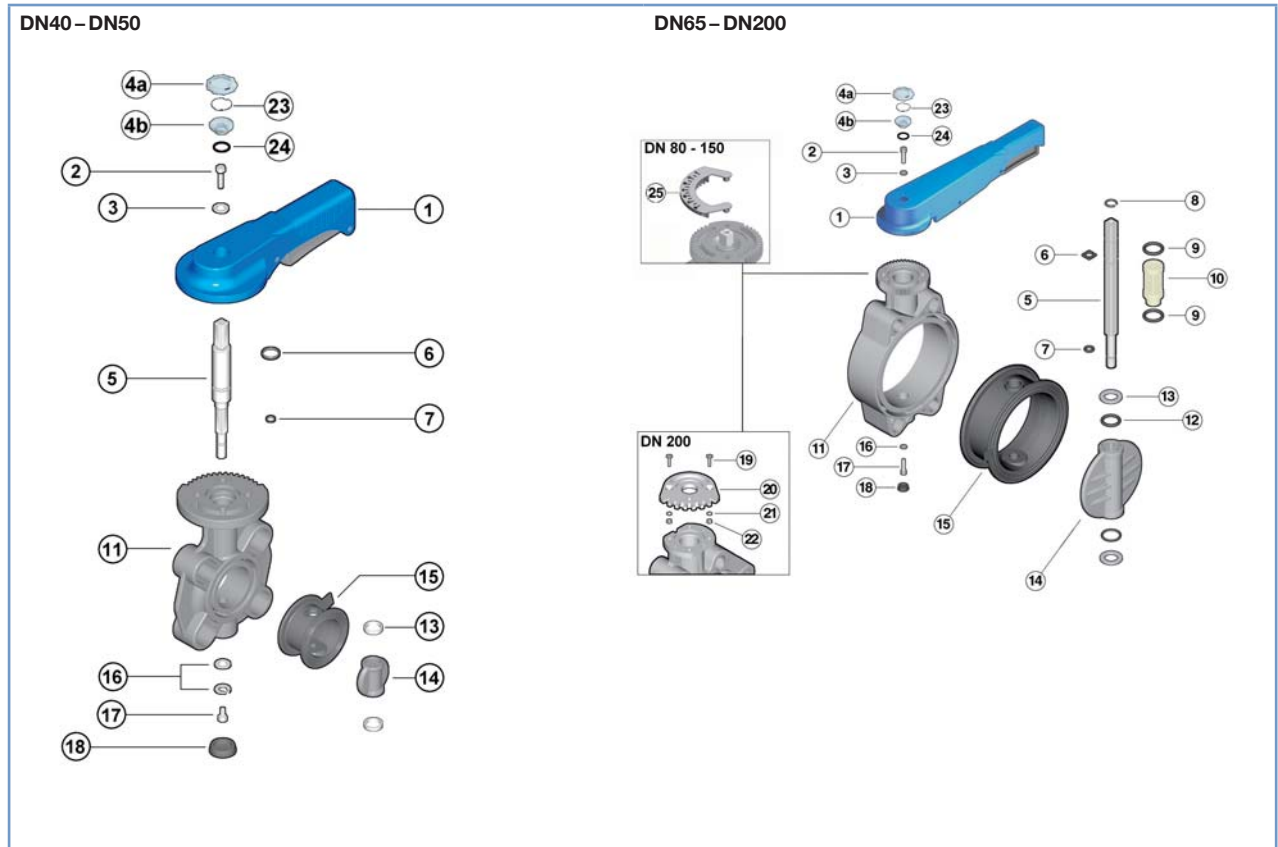
Ø Port connection [mm]	50	63	75	90	110	140	160	225	280	315
DN	40	50	65	80	100	125	150	200	250	300
Torque [Nm] FE butterfly valve	9	10	14	25	43	58	91	142	-	-
Torque [Nm] FK butterfly valve	11	17	23	34	45	64	89	138	306	336

K_{vs} Values (for water)

Ø Port connection [mm]	50	63	75	90	110	140	160	225	280	315
DN	40	50	65	80	100	125	150	200	250	300
K _{vs} [m³/h]	60	77.1	102	213	354	591	1122	1830	3192	4896

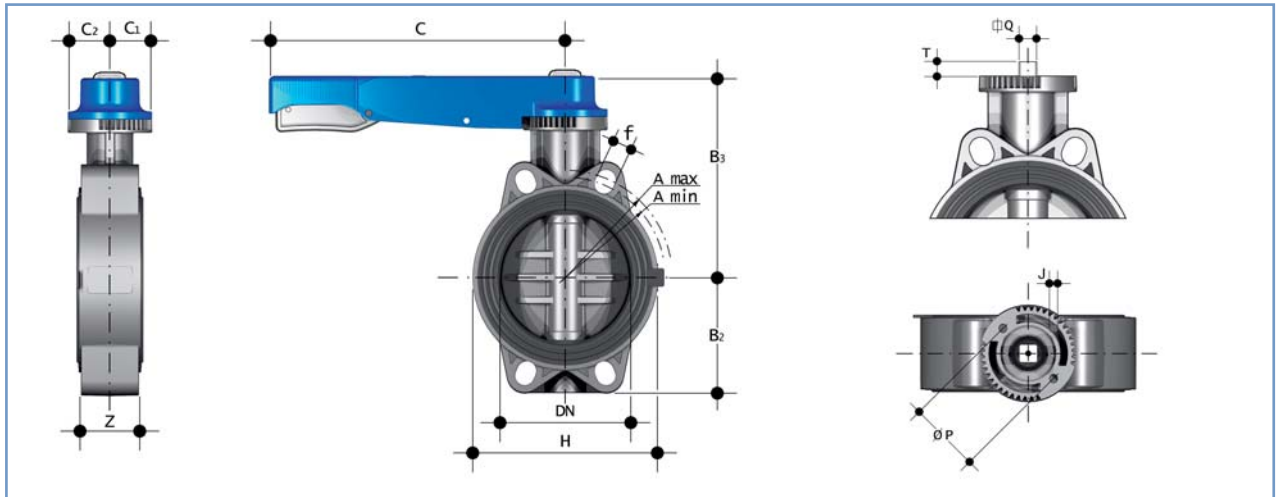
FE Butterfly Valve

Materials



Pos	Description	Qty	Material
1	Handle	1	HIPVC
2	Screw	1	Stainless steel
3	Washer	1	Stainless steel
4a/b	Transparent protection plug	1	PVC
5	Stem	1	Zinc plated steel
6	Stem O-ring	1	EPDM or FPM
7	Stem O-ring	1	EPDM or FPM
8	Seeger ring	1	Stainless steel
9	Bush O-ring	2	EPDM or FPM
10	Bush	1	Nylon
11	Body	1	PVC-U
12	Disc O-ring	2	EPDM or FPM
13	Antifriction ring	2	PTFE
14	Disc	1	PVC-U
15	Liner	1	EPDM or FPM
16	Washer	1	Steel
17	Screw	1	Stainless steel
18	Protection plug	1	PE
19	Screw	2	Stainless steel
20	Plate	1	PVC-U
21	Washer	2	Stainless steel
22	Nut	2	Stainless steel
23	Tag holder	1	PVC-U
24	O-ring	2	NBR
25	Position indicator	1	PVC-U

Dimensions [mm]



DN	d ¹⁾	A _{min}	A _{max}	B ₂	B ₃	C	C ₁	C ₂	f	H	U	Z	J	T	Q	P	ISO 5211
40	50	93.5	109.00	60	136	175	45	42	19	132	4	33	7	12	11	50	F05
50	63	108	124.00	70	143	175	45	42	19	147	4	43	7	12	11	50	F05
65	75	128	144.00	80	168	175	45	45	19	165	4	46	7	12	11	50	F05
80	90	145	159.00	90	182	250	45	45	19	130	4	49	9	16	14	70	F07
100	110	165	190.00	105	196	250	45	45	19	150	4	56	9	16	14	70	F07
125	140	204	215.00	121	215	335	45	45	23	185	4	64	9	19	17	70	F07
150	160	230	229.00	132	229	335	45	45	23	210	4	70	9	19	17	70	F07
200	225	280	309.00	161	309	425	65	82	23	325	8	71	11	24	22	102	F10

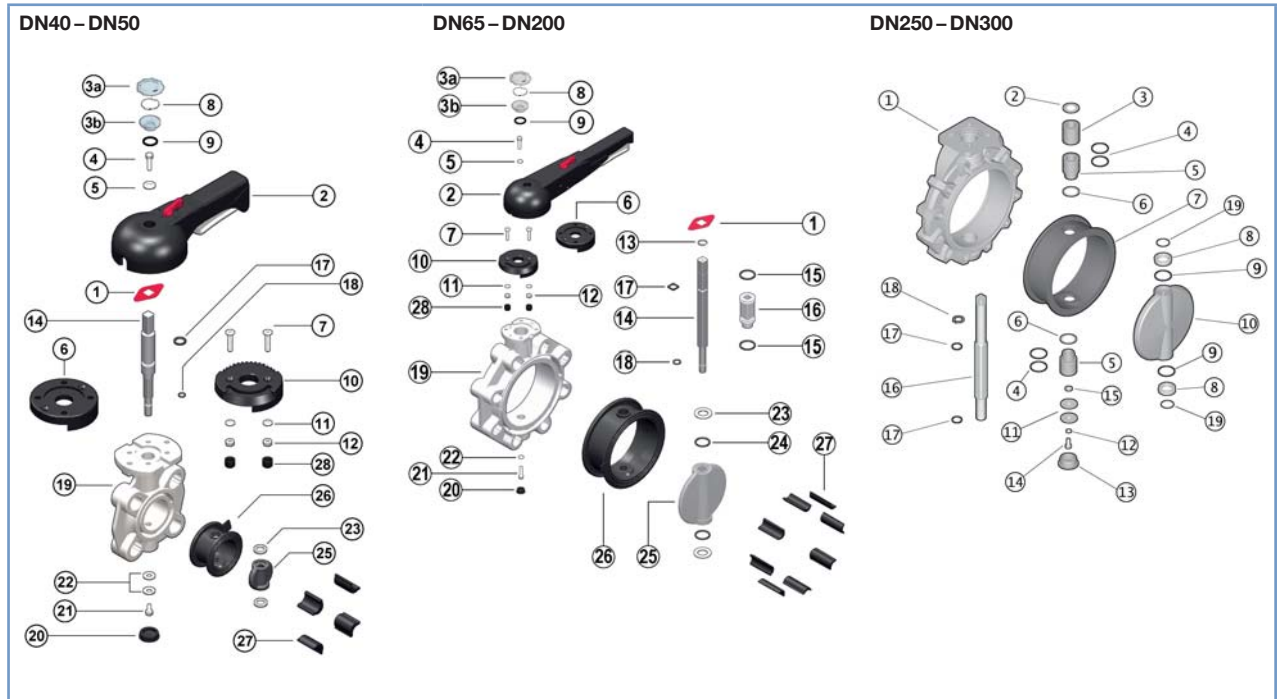
1) Ø Port connection [mm]

Ordering Chart: Body: PVC-U / Disc: PVC-U

Orifice	Port connection [mm]	Pressure range [bar]	Weight [kg]	Item-No	
				EPDM liner	FPM liner
40	50	16	0.83	254 375	208 205
50	63	16	1.01	254 376	293 948
65	75	10	1.42	254 378	208 207
80	90	10	1.64	254 379	208 208
100	110	10	1.99	212 081	293 949
125	140	10	3.03	254 384	293 950
150	160	10	3.73	254 385	293 951
200	225	10	8.24	254 386	293 952

FK Butterfly Valve

Materials



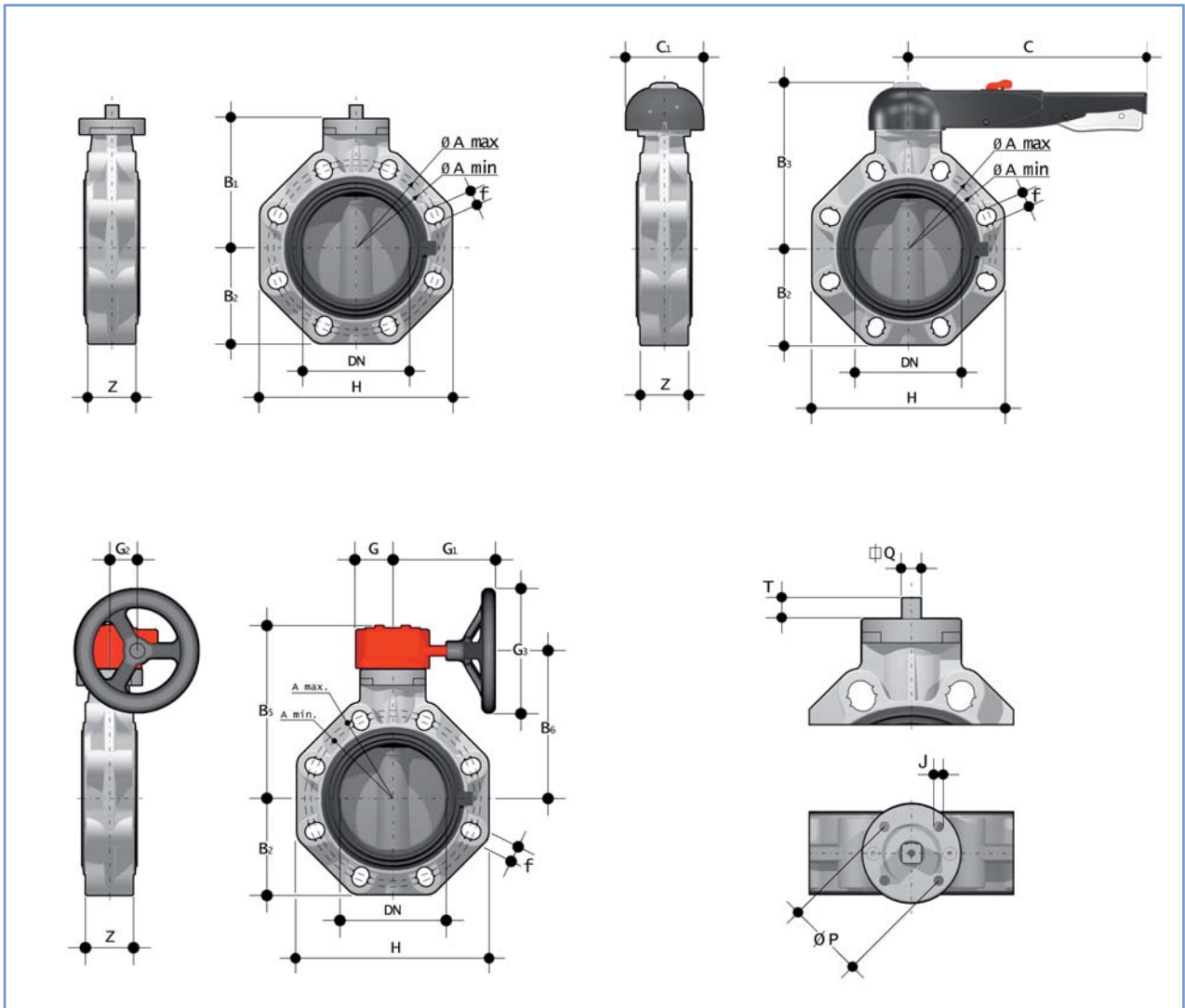
DN40 – DN50 / DN65 – DN200

Pos	Description	Qty	Material
1	Position indicator	1	PA
2	Handle	1	HIPVC
3a/b	Transparent protection plug	1	PVC
4	Fastening screw	1	Stainless steel
5	Washer	1	Stainless steel
6	Flange	1	PP-GR
7	Screw	2	Stainless steel
8	Tag holder	1	PVC-U
9	O-ring	1	NBR
10	Plate	1	PP-GR
11	Washer	2	Stainless steel
12	Nut	2	Stainless steel
13	Seeger ring	1	Stainless steel
14	Stem	1	Stainless steel AISI 316
15	Bush O-ring	2	EPDM or FPM
16	Bush	1	Nylon
17	Stem O-ring	1	EPDM or FPM
18	Stem O-ring	1	EPDM or FPM
19	Body	1	PP-GR
20	Protection plug	1	PE
21	Screw	1	Stainless steel
22	Washer	1	Stainless steel
23	Antifriction ring	2	PTFE
24	Disc O-ring	2	EPDM or FPM
25	Disc	1	PVC-U or PP-H or PVDF
26	Liner	1	EPDM or FPM
27	Inserts	4 – 8	ABS
28	Plug	2	PE

DN250 – DN300

Pos	Description	Qty	Material
1	Body	1	PP-GR
2	Washer	1	Stainless steel
3	Bush	1	PP
4	Bush O-ring	4	EPDM or FPM
5	Bush	2	PP
6	Washer	2	PTFE
7	Liner	1	EPDM or FPM
8	Antifriction ring	2	PTFE
9	Disc O-ring	2	EPDM or FPM
10	Disc	1	PVC-U or PP-H or PVDF
11	Washer	2	Stainless steel
12	Washer	1	Stainless steel
13	Protection plug	1	PE
14	Screw	1	Stainless steel
15	Washer	1	Stainless steel
16	Stem	1	Stainless steel AISI 316
17	Stem O-ring	2	EPDM or FPM
18	Seeger ring	1	Stainless steel
19	O-ring	2	EPDM or FPM

Dimensions [mm]



DN	d ¹⁾	A _{min}	A _{max}	B1	B2	B3	C	C1	f	H	U	Z	J	T	Q	P	ISO 5211
40	50	99	109	106	60	137	175	100	19	132	4	33	7	12	11	50	F05
50	63	115	125.5	112	70	143	175	100	19	147	4	43	7	12	11	50	F05
65	75	128	144	119	80	164	175	110	19	165	4	46	7/9	12	11	50/70	F05/07
80	90	145	160	133	93	178	175	100	19	185	8	49	9	16	14	70	F07
100	110	165	190	147	107	192	272	110	19	211	8	56	9	16	14	70	F07
125	140	204	215	167	120	212	330	110	23	240	8	64	9	19	17	70	F07
150	160	230	242	167	134	225	330	110	23	268	8	70	9	19	17	70	F07
200	225	280	298	180	161	272	420	122	23	323	8	71	11	24	22	10	F10

DN	d ¹⁾	ØA	B1	B2	B5	B6	G	G1	G2	G3	f	H	U	Z	J	T	Q	P	ISO 5211
250	280	350	248	210	317	281	88	236	76	250	22	405	12	114	11/13/17	29	27	102/125/140	F10/12/14
300	315	400	305	245	374	338	88	236	76	250	22	475	12	114	11/13/17	29	27	102/125/140	F10/12/14

1) Ø Port connection [mm]

Ordering Chart: Body: PP-GR / Disc: PVC-U

Orifice DN	Port connection [mm]	Pressure range [bar]	Weight – bare shaft [kg]	Weight – with lever [kg]	Item-No – bare shaft		Item-No – with lever (DN40 – 200); with manual gear box (DN250 – 300)	
					EPDM liner	FPM liner	EPDM liner	FPM liner
40	50	16	0.57	0.90	293 953	293 966	293 957	293 974
50	63	16	0.75	1.08	293 954	208 206	282 059	293 975
65	75	10	1.00	1.47	266 067	293 967	282 061	293 976
80	90	10	1.40	1.87	265 713	277 934	282 062	277 933
100	110	10	1.75	2.22	268 247	293 968	282 063	293 977
125	140	10	2.55	3.10	293 955	293 969	270 796	293 978
150	160	10	3.30	3.85	264 866	293 970	265 983	293 979
200	225	10	6.00	6.75	264 864	293 971	282 064	293 980
250 ¹⁾	280	10	12.00	18.60	293 956	293 972	293 964	293 987
300 ¹⁾	315	8	19.00	25.60	284 675	293 973	293 965	293 988

1) acc. ISO-DIN
ASA B.16.5 150 (on request)

Ordering Chart: Body: PP-GR / Disc: PP-H

Orifice DN	Port connection [mm]	Pressure range [bar]	Weight – bare shaft [kg]	Weight – with lever [kg]	Item-No – bare shaft		Item-No – with lever (DN40 – 200); with manual gear box (DN250 – 300)	
					EPDM liner	FPM liner	EPDM liner	FPM liner
40	50	10	0.47	0.80	293 989	208 209	293 998	294 020
50	63	10	0.65	0.98	293 990	208 210	293 999	294 021
65	75	10	0.90	1.37	273 125	208 211	294 000	294 022
80	90	10	1.30	1.77	293 991	208 212	294 002	294 023
100	110	10	1.65	2.12	293 992	209 928	294 003	294 024
125	140	10	2.45	3.00	293 993	294 015	294 004	294 025
150	160	10	3.20	3.75	293 994	294 016	294 005	294 026
200	225	10	5.90	6.65	293 995	294 017	294 006	294 027
250 ¹⁾	280	10	11.80	18.400	293 996	294 018	294 013	294 034
300 ¹⁾	315	8	18.70	25.450	293 997	294 019	294 014	294 035

1) acc. ISO-DIN
ASA B.16.5 150 (on request)

Ordering Chart: Body: PP-GR / Disc: PVDF

Orifice DN	Port connection [mm]	Pressure range [bar]	Weight – bare shaft [kg]	Weight – with lever [kg]	Item-No – bare shaft		Item-No – with lever (DN40–200); with manual gear box (DN250–300)	
					EPDM liner	FPM liner	EPDM liner	FPM liner
40	50	16	0.67	1.00	294 216	294 036	294 229	294 044
50	63	16	0.85	1.18	294 218	294 037	294 230	294 045
65	75	10	1.10	1.57	294 219	294 038	294 232	277 324
80	90	10	1.55	2.02	294 220	294 039	294 233	277 325
100	110	10	1.90	2.37	294 221	267 777	294 234	277 326
125	140	10	2.75	3.30	294 222	294 040	294 236	294 046
150	160	10	3.55	4.10	294 224	289 253	294 237	294 047
200	225	10	6.30	7.05	294 225	294 041	294 238	294 048
250 ¹⁾	280	10	13.00	19.60	294 227	294 042	294 249	294 055
300 ¹⁾	315	8	21.00	27.60	294 228	294 043	294 250	294 056

1) gacc. ISO-DIN
ASA B.16.5 150 (on request)

To find your nearest Bürkert facility, click on the orange box →

www.burkert.com

In case of special application conditions,
please consult for advice

Subject to alteration.
© Christian Bürkert GmbH & Co. KG

1706/1_EU-en_00895311