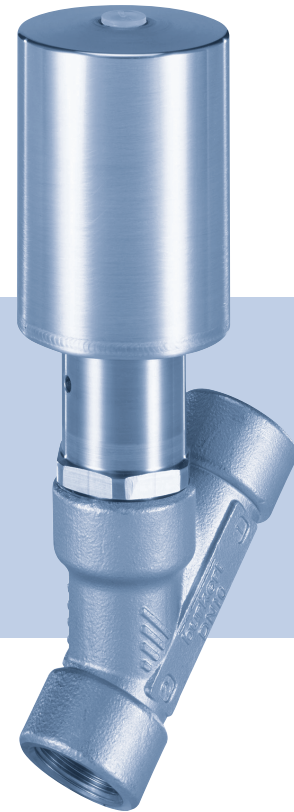


Type 2000 **INOX**

2/2-way angle seat valve
2/2-Wege Schrägsitzventil
Vanne à siège incliné 2/2 voies

Operating Instructions

Bedienungsanleitung
Manuel d'utilisation



We reserve the right to make technical changes without notice.
Technische Änderungen vorbehalten.
Sous réserve de modifications techniques.

© Bürkert Werke GmbH & Co. KG, 20F€ - 2017

Operating Instructions 1706/0G_EU-EN_008€í ì î / Original DE

1. THE OPERATING INSTRUCTIONS	4	8. ASSEMBLY	10
1.1. Symbols.....	4	8.1. Safety instructions	10
1.2. Definition of the term 'Device'.....	4	8.2. Before installation	11
2. AUTHORIZED USE	5	8.3. Installation	11
2.1. Restrictions.....	5	8.4. Pneumatic connection	13
3. BASIC SAFETY INSTRUCTIONS	5	9. START-UP	14
4. GENERAL INFORMATION	6	9.1. Safety instructions	14
4.1. Contact address.....	6	10. MAINTENANCE, CLEANING	14
4.2. Warranty	6	10.1. Safety instructions	14
4.3. Information on the Internet	6	10.2. Maintenance work.....	14
5. PRODUCT DESCRIPTION	7	10.3. Cleaning.....	15
5.1. General description	7	10.4. Recommended auxiliary materials.....	15
5.2. Properties.....	7	11. REPAIRS	15
6. TECHNICAL DATA	7	11.1. Replacing the valve set.....	15
6.1. Conformity	7	12. MALFUNCTIONS	19
6.2. Standards.....	7	13. SPARE PARTS	19
6.3. Operating conditions.....	7	14. TRANSPORTATION, STORAGE, DISPOSAL	20
6.4. General technical data.....	9		
7. STRUCTURE AND FUNCTION	10		
7.1. Structure	10		
7.2. Function.....	10		

1. THE OPERATING INSTRUCTIONS

The operating instructions describe the entire life cycle of the device. Keep these instructions in a location which is easily accessible to every user and make these instructions available to every new owner of the device.

The operating instructions contain important safety information!

Failure to observe these instructions may result in hazardous situations.

- The operating instructions must be read and understood.

1.1. Symbols



DANGER!

Warns of an immediate danger!

- Failure to observe the warning will result in a fatal or serious injury.



WARNING!

Warns of a potentially dangerous situation!

- Failure to observe the warning may result in serious injuries or death.



CAUTION!

Warns of a possible danger!

- Failure to observe this warning may result in a moderate or minor injury.

NOTE!

Warns of damage to property!

- Failure to observe the warning may result in damage to the device or the equipment.



Indicates important additional information, tips and recommendations.



Refers to information in these operating instructions or in other documentation.

→ Designates a procedure which you must carry out.

1.2. Definition of the term 'Device'

In these instructions, the term "device" always refers to the angle seat valve Type 2000 INOX.

2. AUTHORIZED USE

Non-authorized use of the angle seat valve Type 2000 INOX (designated as device in the following) can be dangerous to people, nearby equipment and the environment.

- The device is designed for the controlled flow-rate of liquid and gaseous media.
- In the potentially explosion-risk area the device may be used only according to the specification on the separate Ex type label. For use observe the additional information enclosed with the device together with safety instructions for the explosion-risk area.
- Devices without a separate Ex type label may not be used in a potentially explosive area.
- Use according to the authorized data, operating conditions, and conditions of use specified in the contract documents and operating instructions. These are described in chapter "[6. Technical data](#)".
- Use the device only in conjunction with third-party devices and components recommended and authorized by Bürkert.
- Correct transportation, storage, and installation, as well as careful use and maintenance are essential for reliable and faultless operation.
- Use the device only as intended.

2.1. Restrictions

If exporting the system/device, observe any existing restrictions.

3. BASIC SAFETY INSTRUCTIONS

These safety instructions do not make allowance for any

- Contingencies and events which may arise during the installation, operation, and maintenance of the devices.
- Local safety regulations – the operator is responsible for observing these regulations, also in relation to the installation personnel.



Danger – high pressure!

- Turn off the pressure and vent the lines before loosening lines or valves.

Risk of crushing from moving pneumatic connection!

- When opening and closing the device, do not touch the moving pneumatic connection.
- Do not reach into the area immediately above and below the control air connection.

Risk of water hammer when flow inlet over seat!

- When flow inlet over seat, do not use angle seat valve for liquid media due to the risk of water hammer.

Risk of burns/risk of fire if used during long-term operation through hot device surface!

- Do not touch the device with bare hands.
- Keep the device away from highly flammable substances and media.

General hazardous situations.

To prevent injuries:

- Supply only media to the media connections which have been specified as flow media in the chapter "Technical Data".
- Do not physically stress the housing (e.g. by placing objects on it or standing on it).
- Ensure that the system cannot be activated unintentionally.
- Only trained technicians may perform installation and maintenance work.
- After an interruption in the power supply or pneumatic supply, ensure that the process is restarted in a defined or controlled manner.
- The device may be operated only when in perfect condition and in consideration of the operating instructions.
- The general rules of technology apply to application planning and operation of the device.



The angle seat valve Type 2000 INOX was developed with due consideration given to the accepted safety rules and is state-of-the-art. Nevertheless, dangerous situations may occur.

4. GENERAL INFORMATION

4.1. Contact address

Germany

Bürkert Fluid Control Systems
Sales Center
Christian-Bürkert-Str. 13-17
D-74653 Ingelfingen
Germany
Tel. + 49 (0) 7940 - 10 91 111
Fax + 49 (0) 7940 - 10 91 448
Email: info@de.buerkert.com

International

Contact addresses can be found on the final pages of the printed operating instructions.

And also on the Internet at: www.burkert.com

4.2. Warranty

The warranty is only valid if the device is used as intended in accordance with the specified application conditions.

4.3. Information on the Internet

The operating instructions and data sheets for Type 2000 INOX can be found on the Internet at: www.burkert.com

5. PRODUCT DESCRIPTION

5.1. General description

The 2/2-way angle seat valve Type 2000 INOX is suitable for liquid and gaseous media.

It uses neutral gases or air (control media) to control the flow-rate of water, alcohol, oil, fuel, hydraulic fluid, saline solution, lye, organic solvent and steam (flow media).

5.2. Properties

- High leak-tightness.
- High flow values.
- Control air connection can be rotated centrally and steplessly through 360°.
- Optical position indicator
- Maintenance-free

5.2.1. Restrictions

When flow inlet over seat, the angle seat valve must not be used for liquid media due to the risk of water hammer!

6. TECHNICAL DATA

6.1. Conformity

The angle seat valve, Type 2000 INOX, conforms to the EC Directives according to the EC Declaration of Conformity

6.2. Standards

The applied standards, which are used to demonstrate compliance with the EC Directives, are listed in the EC type test certificate and/or the EC Declaration of Conformity.

6.3. Operating conditions

6.3.1. Permitted temperatures

Ambient temperature: 0 °C ... +60 °C

Medium temperature: 0 °C ... +180 °C



The angle seat valve is autoclavable.

For this purpose, the control air connection must be removed.

The combination of maximum medium temperature and maximum ambient temperature is indicated on the graph in "[Fig. 1](#)":

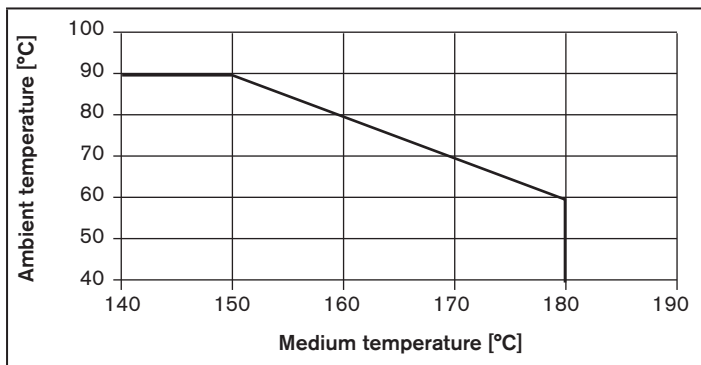


Fig. 1: Combination of medium temperature / ambient temperature

6.3.2. Pressure ranges



WARNING!

Discharge of medium and danger of bursting.

If the permitted medium or control pressure is exceeded, lines or device may leak and burst.

For control function B a too low control pressure may result in leaks.

- Do not exceed medium pressure and control pressure.
- For control function B observe the minimum control pressure of 4 bar.

The product-specific pressure specifications are indicated on the rating plate.

Minimum control pressure for control function B: 4 bar

MAN 1000125381 ML Version: HStatus: RL (released | freigegeben) printed: 22.09.2017

6.3.3. Media



WARNING!

Risk of injury from bursting lines caused by water hammer!

If the valve is used for liquid media when flow inlet over seat, water hammer may cause lines and device to burst.

- Do not use valves with flow inlet over seat for liquid media!

Control medium: neutral gases, air

Flow media: water, alcohols, oils, fuels, hydraulic fluids, saline solutions, lyes, organic solvents, steam, air, neutral gases

6.4. General technical data

6.4.1. Inscription on the rating plate

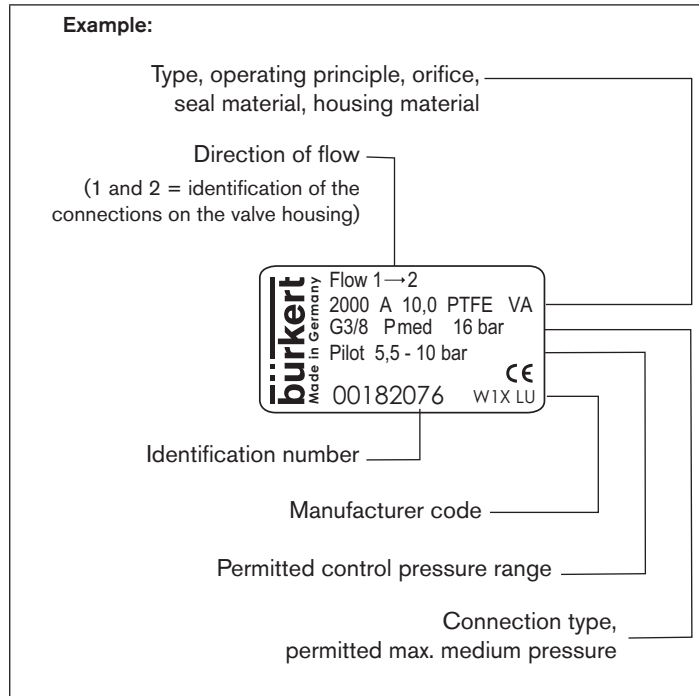


Fig. 2: Example of rating plate

6.4.2. Materials

Valve housing	stainless steel 316L
Actuator	stainless steel 1.4404
Sealing elements	FKM
Spindle sealing (with silicone grease)	PTFE-V rings with spring compensation
Seat seal	PTFE
Spindle	stainless steel 1.4401/1.4404

6.4.3. Connections

Control air connection (recommendation)	45° hose plug-in connection 4/2 M5 order no. 903383
Medium connection	G3/8 and NPT3/8 socket connection G1/2 external thread Welded spigots according to EN ISO 1127/ISO 4200, DIN 11850 Series 2, ASME BPE. Other connections on request

6.4.4. Installation position

Any position, preferably with the actuator face up.

7. STRUCTURE AND FUNCTION

7.1. Structure

The angle seat valve consists of a pneumatically actuated piston actuator with optical position indicator and a 2/2-way valve housing.


7.2. Function

Depending on the version, the valve is closed against the medium flow by spring force (control function A, SFA) or by control pressure (control function B, SFB).

Spring force (SFA) or pneumatic control pressure (SFB) generates the closing force on the pendulum disc. The force is transferred via a spindle which is connected to the actuator piston.

Flow inlet under seat:

As the medium pressure is under the pendulum disc, this pressure contributes to the opening of the valve. The flow inlet is under the valve seat.

 If the minimum control pressure is too low for SFB or the permitted medium pressure is exceeded, leaks may occur!

7.2.1. Control functions

Control function A (SFA)

Closed in rest position by spring force.

Control function B (SFB)

Open in rest position by spring force.

8. ASSEMBLY

8.1. Safety instructions



DANGER!

Risk of injury from high pressure in the system!

- Turn off the pressure and vent the lines before loosening lines or valves.



WARNING!

Risk of injury from improper assembly!

- Installation must only be carried out by authorized technicians and with the appropriate tools!

Risk of injury from unintentional activation of the system and uncontrolled restart!

- Secure system from unintentional activation.
- Following assembly, ensure a controlled restart.

Risk of crushing from moving pneumatic connection!

- When opening and closing the device, do not touch the moving pneumatic connection.
- Do not reach into the area immediately above and below the control air connection.

8.2. Before installation

- The angle seat valve can be installed in any position, preferably with the actuator face up.
- Before connecting the valve, ensure the pipelines are flush (stress-free).
- Observe direction of flow!
See "Fig. 3".

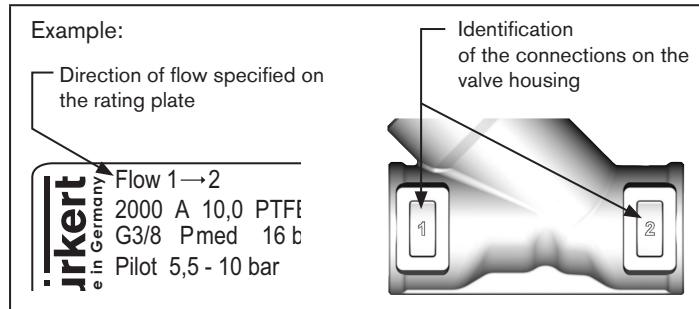


Fig. 3: Identification of the connections / direction of flow

8.2.1. Preparatory tasks

→ Clean pipelines (sealing material, swarf, etc.).

Welded housing:

→ Before welding in the valve housing, remove the actuator (see Chapter "8.3.1").

8.3. Installation

8.3.1. Remove actuator from the valve housing (for welded housings only)



WARNING!

Risk of injury from damaged devices!

If the wrong tools are used for assembly work, the device may be damaged.

- To remove the actuator from the valve housing, use an open-end wrench, never a pipe wrench.

Control function A:

→ Pressurize control air connection with compressed air (5.5 bar) so that the pendulum disc is lifted off the valve seat and is not damaged.

Control function B:

For control function B it is not necessary to apply compressed air for installation.

NOTE!

Damage to the seat seal or the seat contour!

- When removing the actuator, ensure that the valve is in the open position.

→ When valve is in open position, remove actuator from the valve housing using an open-end wrench (see "Fig. 4").

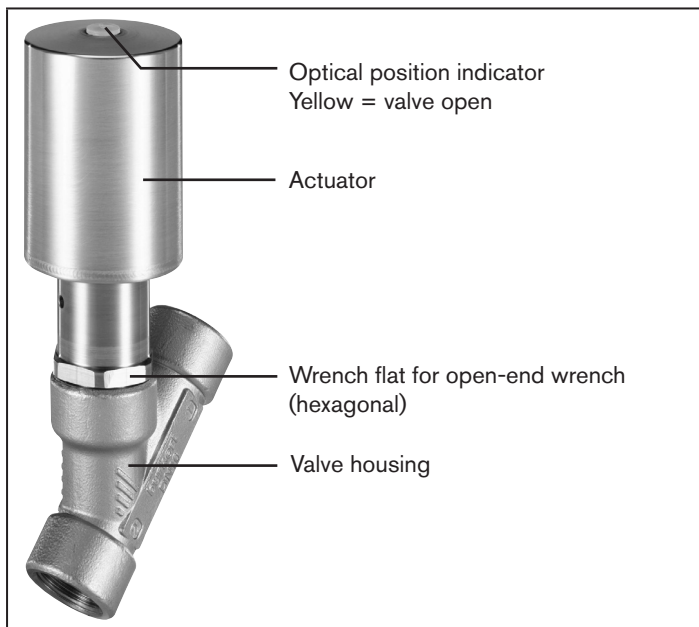


Fig. 4: Removing the actuator

8.3.2. Installing valve housing in pipeline

For welded housings:

- Weld valve housing in pipeline system.
- Check graphite seal and, if required, replace.

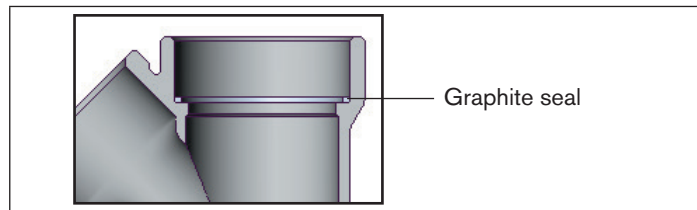


Fig. 5: Graphite seal

For other housing models:

- Connect valve housing to pipeline.

8.3.3. Installing actuator on valve housing



DANGER!

Risk of explosion if incorrect lubricants used!

Unsuitable lubricant may contaminate the medium. In oxygen applications there is a risk of explosion.

- In specific applications, e.g. oxygen or analysis applications, use appropriately authorized lubricants only.



WARNING!

Risk of injury from damaged devices!

If the wrong tools are used for assembly work, the device may be damaged. Also if tightening torque is incorrect.

- To remove the actuator from the valve housing, use an open-end wrench, never a pipe wrench.
- Observe tightening torque ($40 \pm 3 \text{ Nm}$)

- Grease pipe thread before re-installing the actuator (e.g. with Klüber paste UH1 96-402 from Klüber).
- **For control function A:** Pressurize control air connection with compressed air (5.5 bar) so that the pendulum disc is lifted off the valve seat and is not damaged when screwed in.
- Screw actuator into the valve housing.



If the position of the control air connection for installation of the hose is unfavorable, it can be aligned steplessly by rotating the actuator through 360°.

8.4. Pneumatic connection



DANGER!

Risk of injury from high pressure in the system!

- Before disconnecting lines and valves, turn off the pressure and vent the lines.







WARNING!

Risk of injury from unsuitable connection hoses!

Hoses which cannot withstand the pressure and temperature range may result in hazardous situations.

- Use only hoses which are authorized for the indicated pressure and temperature range.
- Observe the data sheet specifications from the hose manufacturers.

8.4.1. Control air connections

 <p>Order no. 903383</p>	<p>The 45° angle connection, which can be ordered separately, is recommended for the control air connection!</p> <p>In this case the free-moving hose length should be min. 250 mm.</p> <p>If the hose length is shorter, the durability and function of the plug-in coupling will be impaired!</p>
	<p>If a straight control air connection is used, the free-moving hose length should be min. 400 mm.</p> <p>If the hose length is shorter, the durability and function of the plug-in coupling will be impaired!</p>
	<p> Risk of crushing!</p> <ul style="list-style-type: none"> ▪ Due to the risk of crushing, a 90° control air connection must not be used!

9. START-UP

9.1. Safety instructions



WARNING!

Risk of injury from improper operation!

Improper operation may result in injuries as well as damage to the device and the area around it.

- Before start-up, ensure that the operating personnel are familiar with and completely understand the contents of the operating instructions.
- Observe the safety instructions and intended use.
- Only adequately trained personnel may start up the equipment/ the device.

10. MAINTENANCE, CLEANING

10.1. Safety instructions



DANGER!

Risk of injury from high pressure in the system!

- Turn off the pressure and vent the lines before loosening lines or valves.



WARNING!

Risk of injury from improper maintenance!

- Maintenance may only be carried out by authorized technicians and with the appropriate tools!

Risk of injury from unintentional activation of the system and uncontrolled restart!

- Secure system from unintentional activation.
- Following maintenance, ensure a controlled restart.
- To screw in or unscrew the valve housing or actuator, use an open-end wrench, never a pipe wrench, and observe tightening torques.

10.2. Maintenance work

10.2.1. Actuator

The actuator of the angle seat valve is maintenance-free.

10.2.2. Angle seat valve

Parts which are subject to natural wear:

- Pendulum disc
- Graphite seal

If leaks occur, replace the particular wearing part with an appropriate spare part (see Chapter "[13. Spare parts](#)").

10.3. Cleaning

Commercially available cleaning agents can be used to clean the surface of the device.

NOTE!

Avoid causing damage with cleaning agents.

- Before cleaning, check that the cleaning agents are compatible with the housing materials and seals.

10.4. Recommended auxiliary materials

In this manual the following auxiliary materials are recommended for faultless operation, maintenance and repair of the device:

Type of auxiliary material	Product designation	Manufacturer and Internet address
Lubrication paste	Klüber paste UH1 96-402	Klüber Lubrication München KG, www.klueber.de
Adhesive	Loctite 640	Marketing Loctite, Henkel AG & Co.KGaA, www.loctite.de

11. REPAIRS



CAUTION!

Risk of injury and/or damage by the use of incorrect parts!

Incorrect accessories and unsuitable spare parts may cause injuries and damage the device and the surrounding area.

- Use original accessories and original spare parts from Bürkert only.

11.1. Replacing the valve set

The valve set consists of:

- **The pendulum disc:**
consisting of
 - Seal holder
 - Seat seal
 - Centering
- **The graphite seal**
This can also be ordered separately



Before the valve set can be replaced, the actuator must be removed from the valve housing as described below.

11.1.1. Removing the actuator from the valve housing



DANGER!

Risk of injury from discharge of medium and release of pressure!

It is dangerous to remove the device under pressure due to the sudden release of pressure or discharge of medium.

- Turn off the pressure and vent the lines before loosening lines or valves.



WARNING!

Risk of injury from damaged devices!

If the wrong tools are used for assembly work, the device may be damaged.

- To remove the actuator from the valve housing, use an open-end wrench, never a pipe wrench.

Control function A:

→ Pressurize control air connection with compressed air (5.5 bar) so that the pendulum disc is lifted off the valve seat and is not damaged.

Control function B:

For control function B it is not necessary to apply compressed air for removal.

NOTE!

Damage to the seat seal or the seat contour!

- When removing the actuator, ensure that the valve is in the open position.

→ When valve is in open position, remove actuator from the valve housing using an open-end wrench (WAF 22) (see "Fig. 6").

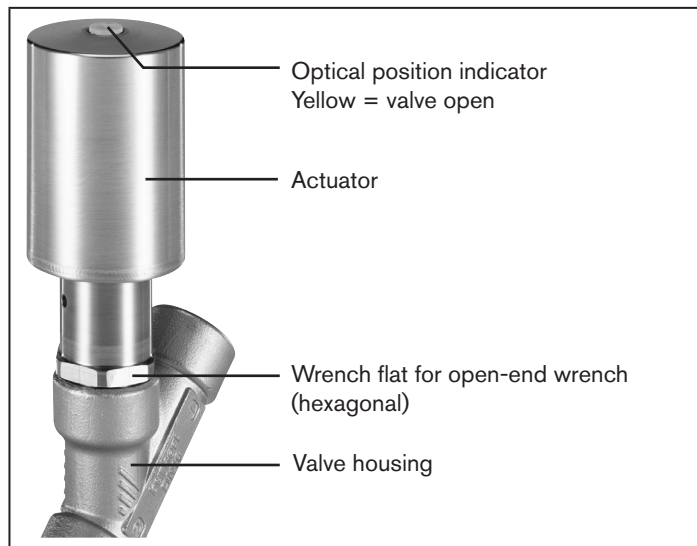


Fig. 6: Removing the actuator

11.1.2. Replacing valve set

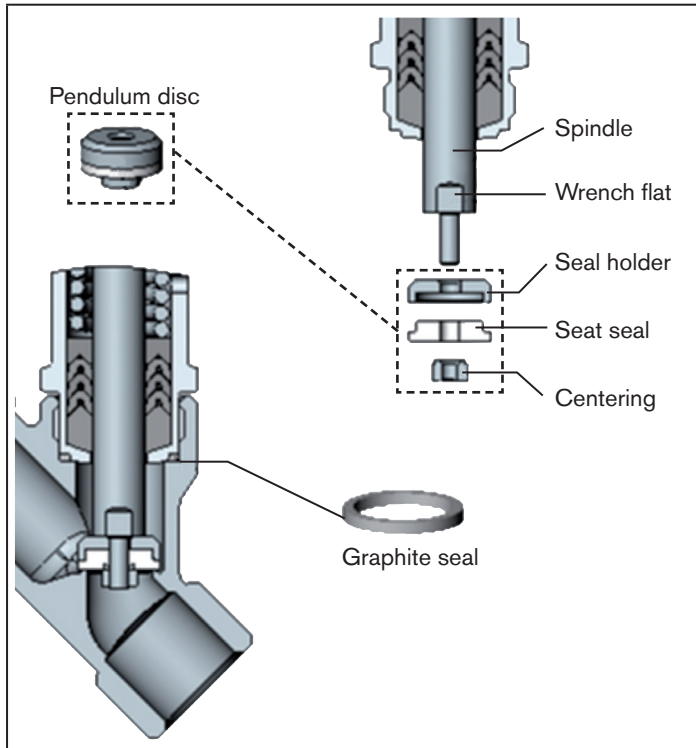


Fig. 7: Valve set



WARNING!

Risk of injury from damaged devices!

If the wrong tools are used for assembly work, the device may be damaged.

- To remove the actuator from the valve housing, use an open-end wrench, never a pipe wrench.

If the tightening torque is too great, the spindle thread may be damaged.

- Observe tightening torque ($40 \pm 3 \text{ Nm}$)

Procedure:

- Counter spindle on the wrench flat using open-end wrench (WAF 7).
- Carefully loosen centering using a suitable open-end wrench (WAF 5.5) to prevent damaging the spindle thread.
- Unscrew centering.
- Remove seal holder together with seat seal.
- Attach new seal holder and new seat seal to the spindle.
- Apply adhesive (Loctite 640) to spindle thread.
- Screw on centering and tighten using a suitable open-end wrench (WAF 5.5).



Observe tightening torque ($40 \pm 3 \text{ Nm}$)!

11.1.3. Installing actuator on valve housing



WARNING!

Risk of injury from unintentional activation of the system and uncontrolled restart!

- Secure system from unintentional activation.
- Following assembly, ensure a controlled restart.



DANGER!

Risk of explosion if incorrect lubricants used!

Unsuitable lubricant may contaminate the medium. In oxygen applications there is a risk of explosion.

- In specific applications, e.g. oxygen or analysis applications, use appropriately authorized lubricants only.

- Grease pipe thread before re-installing the actuator (e.g. with Klüber paste UH1 96-402 from Klüber).
- Check graphite seal and, if required, replace.

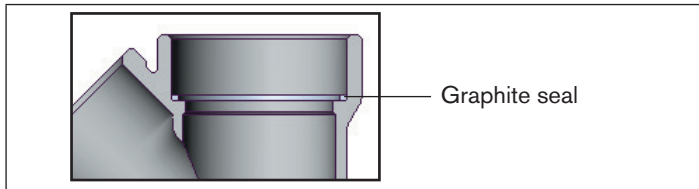


Fig. 8: Graphite seal

- **For control function A:** Pressurize control air connection with compressed air (5.5 bar) so that the pendulum disc is lifted off the valve seat and is not damaged when screwed in.



WARNING!

Risk of injury from damaged devices!

If the wrong tools are used for assembly work, the device may be damaged.

- To remove the actuator from the valve housing, use an open-end wrench, never a pipe wrench.

If the tightening torque is too great, the spindle thread may be damaged.

- Observe tightening torque (40 ± 3 Nm)

- Screw actuator into the valve housing.



Observe tightening torque (40 ± 3 Nm)!



If the position of the control air connection for installation of the hose is unfavorable, it can be aligned steplessly by rotating the actuator through 360° .

12. MALFUNCTIONS

Malfunction	Remedial action
Actuator does not switch.	Control pressure too low. → See pressure specifications on the rating plate.
	Medium pressure too high. → See pressure specifications on the rating plate.
	Direction of flow reversed. → See identification on the rating plate.
Valve is not sealed.	Dirt between seal and valve seat. → Install dirt trap.
	Seat seal worn. → Install new pendulum disc.
	Seat seal damaged, e.g. by foreign objects, swarf or similar. → Install new pendulum disc.
	Direction of flow reversed. → See identification on the rating plate.
	Control pressure too low. → See pressure specifications on the rating plate.
	Medium pressure too high. → See pressure specifications on the rating plate.
Valve is leaking on the release bore.	Spindle seal worn. → Replacing actuator.

Tab. 1: Malfunctions

13. SPARE PARTS



CAUTION!

Risk of injury and/or damage by the use of incorrect parts!

Incorrect accessories and unsuitable spare parts may cause injuries and damage the device and the surrounding area.

- Use original accessories and original spare parts from Bürkert only.

The valve set, order no. 220053, is available as a spare part for the angle seat valve, Type 2000 INOX. This consists of:

- **The pendulum disc:**
consisting of
 - Seal holder
 - Seat seal
 - Centering
- **The graphite seal**
This can also be ordered separately

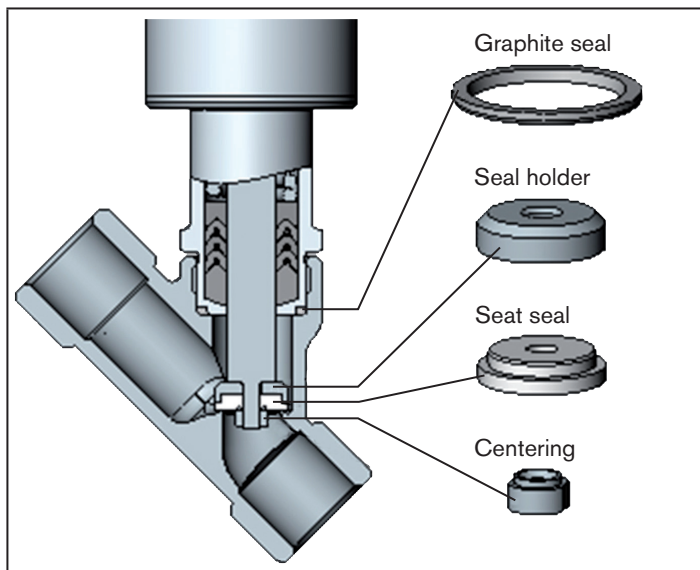


Fig. 9: Valve set

14. TRANSPORTATION, STORAGE, DISPOSAL

NOTE!

Transport damage!

Inadequately protected devices may be damaged during transportation.

- Protect the device against moisture and dirt in shock-resistant packaging during transportation.
- Prevent the temperature from exceeding or dropping below the permitted storage temperature.

Incorrect storage may damage the device.

- Store the device in a dry and dust-free location!
- Storage temperature: -20 °C ... +65 °C.

Damage to the environment caused by device components contaminated with media.

- Dispose of the device and packaging in an environmentally friendly manner!
- Observe applicable disposal and environmental regulations.

1. DIE BEDIENUNGSANLEITUNG	22	8. MONTAGE	29
1.1. Darstellungsmittel.....	22	8.1. Sicherheitshinweise.....	29
1.2. Begriffsdefinition Gerät.....	22	8.2. Vor dem Einbau	29
2. BESTIMMUNGSGEMÄSSE VERWENDUNG	23	8.3. Einbau	30
2.1. Beschränkungen.....	23	8.4. Pneumatischer Anschluss	32
3. GRUNDLEGENDE SICHERHEITSHINWEISE	24	9. INBETRIEBNAHME	33
4. ALLGEMEINE HINWEISE	25	9.1. Sicherheitshinweise.....	33
4.1. Kontaktadresse.....	25	10. WARTUNG, REINIGUNG	33
4.2. Gewährleistung.....	25	10.1. Sicherheitshinweise.....	33
4.3. Informationen im Internet.....	25	10.2. Wartungsarbeiten	34
5. PRODUKTBESCHREIBUNG	25	10.3. Reinigung.....	34
5.1. Allgemeine Beschreibung	25	10.4. Empfohlene Hilfsstoffe.....	34
5.2. Eigenschaften	25	11. INSTANDHALTUNG	35
6. TECHNISCHE DATEN	26	11.1. Austausch des Ventilsatzes.....	35
6.1. Konformität	26	12. STÖRUNGEN	38
6.2. Normen	26	13. ERSATZTEILE	39
6.3. Betriebsbedingungen.....	26	14. TRANSPORT, LAGERUNG, ENTSORGUNG	40
6.4. Allgemeine Technische Daten	27		
7. AUFBAU UND FUNKTION	28		
7.1. Aufbau.....	28		
7.2. Funktion.....	28		

1. DIE BEDIENUNGSANLEITUNG

Die Bedienungsanleitung beschreibt den gesamten Lebenszyklus des Gerätes. Bewahren Sie diese Anleitung so auf, dass sie für jeden Benutzer gut zugänglich ist und jedem neuen Eigentümer des Geräts wieder zur Verfügung steht.

Die Bedienungsanleitung enthält wichtige Informationen zur Sicherheit!

Das Nichtbeachten dieser Hinweise kann zu gefährlichen Situationen führen.

- Die Bedienungsanleitung muss gelesen und verstanden werden.

1.1. Darstellungsmittel



GEFAHR!

Warnt vor einer unmittelbaren Gefahr!

- Bei Nichtbeachtung sind Tod oder schwere Verletzungen die Folge.



WARNUNG!

Warnt vor einer möglicherweise gefährlichen Situation!

- Bei Nichtbeachtung drohen schwere Verletzungen oder Tod.



VORSICHT!

Warnt vor einer möglichen Gefährdung!

- Nichtbeachtung kann mittelschwere oder leichte Verletzungen zur Folge haben.

HINWEIS!

Warnt vor Sachschäden!

- Bei Nichtbeachtung kann das Gerät oder die Anlage beschädigt werden.



bezeichnet wichtige Zusatzinformationen, Tipps und Empfehlungen.



verweist auf Informationen in dieser Bedienungsanleitung oder in anderen Dokumentationen.

→ markiert einen Arbeitsschritt, den Sie ausführen müssen.

1.2. Begriffsdefinition Gerät

Der in dieser Anleitung verwendete Begriff „Gerät“ steht immer für das Schrägsitzventil Typ 2000 INOX.

2. BESTIMMUNGSGEMÄSSE VERWENDUNG

Bei nicht bestimmungsgemäßem Einsatz des Schrägsitzventils Typ 2000 INOX (im nachfolgenden als Gerät bezeichnet) können Gefahren für Personen, Anlagen in der Umgebung und die Umwelt entstehen.

- Das Gerät ist für die Steuerung des Durchflusses von flüssigen und gasförmigen Medien konzipiert.
- Im explosionsgefährdeten Bereich darf das Gerät nur entsprechend der Spezifikation auf dem separaten Ex-Typschild eingesetzt werden. Für den Einsatz muss die dem Gerät beiliegende Zusatzinformation mit Sicherheitshinweisen für den Ex-Bereich beachtet werden.
- Geräte ohne separates Ex-Typschild dürfen nicht im explosionsgefährdeten Bereich eingesetzt werden.
- Für den Einsatz die in den Vertragsdokumenten und der Bedienungsanleitung spezifizierten zulässigen Daten, Betriebs- und Einsatzbedingungen beachten. Diese sind im Kapitel „6. Technische Daten“ beschrieben.
- Das Gerät nur in Verbindung mit von Bürkert empfohlenen bzw. zugelassenen Fremdgeräten und -komponenten einsetzen.
- Voraussetzungen für den sicheren und einwandfreien Betrieb sind sachgemäßer Transport, sachgemäße Lagerung und Installation sowie sorgfältige Bedienung und Instandhaltung.
- Setzen Sie das Gerät nur bestimmungsgemäß ein.

2.1. Beschränkungen

Beachten Sie bei der Ausführung des Systems/Gerätes gegebenenfalls bestehende Beschränkungen.

3. GRUNDLEGENDE SICHERHEITSHINWEISE

Diese Sicherheitshinweise berücksichtigen keine

- Zufälligkeiten und Ereignisse, die bei Montage, Betrieb und Wartung der Geräte auftreten können.
- ortsbezogenen Sicherheitsbestimmungen, für deren Einhaltung, auch in Bezug auf das Montagepersonal, der Betreiber verantwortlich ist.



Gefahr durch hohen Druck!

- Vor dem Lösen von Leitungen oder Ventilen den Druck abschalten und Leitungen entlüften.

Quetschgefahr durch sich bewegenden pneumatischen Anschluss!

- Beim Öffnen und Schließen des Gerätes nicht den sich bewegenden pneumatischen Anschluss berühren.
- Nicht in den unmittelbaren Bereich oberhalb und unterhalb des Steuerluftanschlusses fassen.

Schließschlaggefahr bei Anströmung über Sitz!

- Bei Anströmung über Sitz das Schrägsitzventil, wegen Schließschlaggefahr nicht für flüssige Medien einsetzen.

Verbrennungsgefahr/Brandgefahr bei Dauerbetrieb durch heiße Geräteoberfläche!

- Das Gerät nicht mit bloßen Händen berühren.
- Das Gerät von leicht brennbaren Stoffen und Medien fernhalten.

Allgemeine Gefahrensituationen.

Zum Schutz vor Verletzungen ist zu beachten:

- In die Medienanschlüsse nur Medien einspeisen, die im Kapitel „Technische Daten“ als Durchflussmedien aufgeführt sind.
- Das Gehäuse nicht mechanisch belasten (z. B. durch Ablage von Gegenständen oder als Trittstufe).
- Dass die Anlage nicht unbeabsichtigt betätigt werden kann.
- Nur geschultes Fachpersonal darf Installations- und Instandhaltungsarbeiten ausführen.
- Nach einer Unterbrechung der elektrischen oder pneumatischen Versorgung für einen definierten oder kontrollierter Wiederanlauf des Prozesses sorgen.
- Das Gerät nur in einwandfreiem Zustand und unter Beachtung der Bedienungsanleitung betreiben.
- Für die Einsatzplanung und den Betrieb des Gerätes die allgemeinen Regeln der Technik einhalten.



Das Schrägsitzventil Typ 2000 INOX wurde unter Einbeziehung der anerkannten sicherheitstechnischen Regeln entwickelt und entspricht dem Stand der Technik. Trotzdem können Gefahren entstehen.

4. ALLGEMEINE HINWEISE

4.1. Kontaktadresse

Deutschland

Bürkert Fluid Control Systems
Sales Center
Christian-Bürkert-Str. 13-17
D-74653 Ingelfingen
Tel. + 49 (0) 7940 - 10 91 111
Fax + 49 (0) 7940 - 10 91 448
E-mail: info@de.buerkert.com

International

Die Kontaktadressen finden Sie auf den letzten Seiten der gedruckten Bedienungsanleitung.

Außerdem im Internet unter: www.burkert.com

4.2. Gewährleistung

Voraussetzung für die Gewährleistung ist der bestimmungsgemäße Gebrauch des Gerätes unter Beachtung der spezifizierten Einsatzbedingungen.

4.3. Informationen im Internet

Bedienungsanleitungen und Datenblätter zum Typ 2000 INOX finden Sie im Internet unter: www.buerkert.de

5. PRODUKTBESCHREIBUNG

5.1. Allgemeine Beschreibung

Das 2/2-Wege Schrägsitzventil Typ 2000 INOX ist geeignet für flüssige und gasförmige Medien.

Es steuert mittels neutraler Gase oder Luft (Steuermedien) den Durchfluss von Medien wie Wasser, Alkohol, Öl, Treibstoff, Hydraulikflüssigkeit, Salzlösung, Lauge, organischem Lösungsmittel und Dampf (Durchflussmedien).

5.2. Eigenschaften

- Hohe Dichtheit.
- Hohe Durchflusswerte.
- Steuerluftanschluss zentral und um 360° stufenlos drehbar.
- Optische Stellungsanzeige
- Wartungsfrei

5.2.1. Einschränkungen

Das Schrägsitzventil darf bei Anströmung über Sitz, wegen Schließschlaggefahr, nicht für flüssige Medien eingesetzt werden!

6. TECHNISCHE DATEN

6.1. Konformität

Das Schrägsitzventil, Typ 2000 INOX ist konform zu den EG-Richtlinien entsprechend der EG-Konformitätserklärung

6.2. Normen

Die angewandten Normen, mit denen die Konformität zu den EG-Richtlinien nachgewiesen wird, sind in der EG-Baumusterprüfbescheinigung und/oder der EG-Konformitätserklärung nachzulesen.

6.3. Betriebsbedingungen

6.3.1. Zulässigen Temperaturen

Umgebungstemperatur: 0 °C ... +60 °C

Mediumtemperatur: 0 °C ... +180 °C



Das Schrägsitzventil ist autoklavierbar.

Hierzu muss der Steuerluftanschluss entfernt werden.

Die Kombination von maximaler Mediumtemperatur und maximaler Umgebungstemperatur ist in dem Diagramm in „Bild 1“ angegeben:

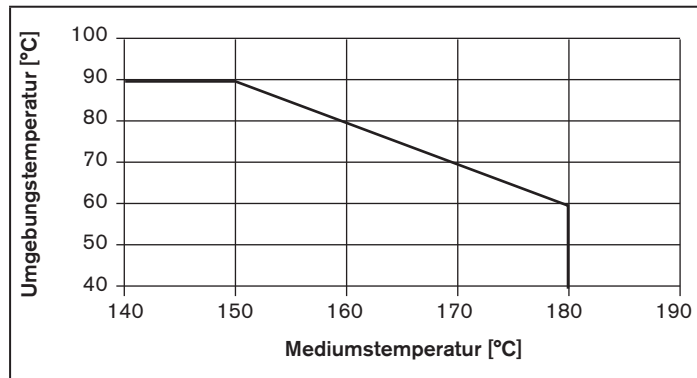


Bild 1: Kombination Mediumtemperatur / Umgebungstemperatur

6.3.2. Druckbereiche



WARNUNG!

Mediumsaustritt und Berstgefahr.

Ein Überschreiten des zulässigen Mediums- oder Steuerdrucks kann zu Undichtigkeit und zum Bersten von Leitungen oder Gerät führen.

Bei Steuerfunktion B kann ein zu geringer Steuerdruck zu Undichtigkeit führen.

- Mediumsdruck und Steuerdruck nicht überschreiten.
- Bei Steuerfunktion B den Mindeststeuerdruck von 4 bar einhalten.

Die produktspezifischen Druckangaben sind auf dem Typschild angegeben.

Mindeststeuerdruck bei Steuerfunktion B: 4 bar

6.3.3. Medien



WARNUNG!

Verletzungsgefahr durch und berstende Leitungen infolge eines Schließschlags!

Wird bei Anströmung über Sitz das Ventil für flüssige Medien eingesetzt, kann ein Schließschlag zum Bersten von Leitungen und Gerät führen.

- Ventile mit Anströmung über Sitz nicht für flüssige Medien einsetzen!

Steuermedium: neutrale Gase, Luft

Durchflussmedien: Wasser, Alkohole, Öle, Treibstoffe, Hydraulikflüssigkeiten, Salzlösungen, Laugen, organische Lösungsmittel, Dampf, Luft, neutrale Gase

6.4. Allgemeine Technische Daten

6.4.1. Beschriftung des Typschilds

Beispiel:

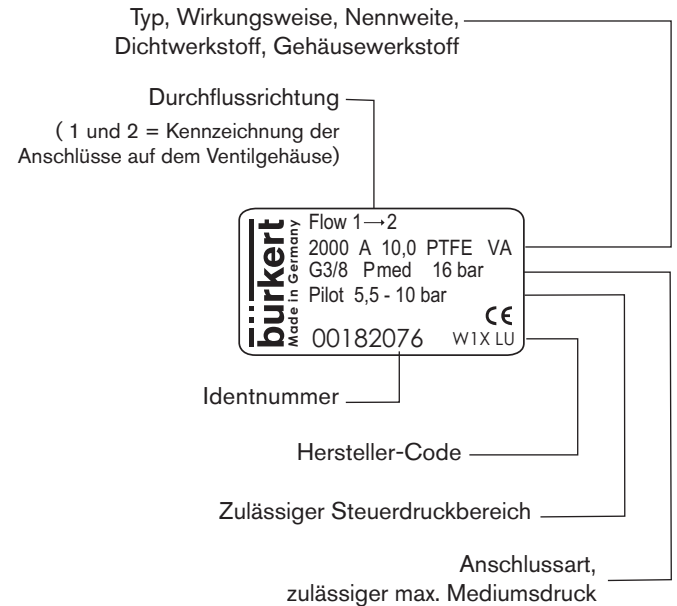


Bild 2: Beispiel für Typschild

6.4.2. Werkstoffe

Ventilgehäuse	Edelstahl 316L
Antrieb	Edelstahl 1.4404
Dichtelemente	FKM
Spindelabdichtung (mit Silikonfett)	PTFE-V-Ringe mit Federkompensation
Sitzdichtung	PTFE
Spindel	Edelstahl 1.4401/1.4404

6.4.3. Anschlüsse

Steuerluftanschluss (Empfehlung)	45° Schlauchsteckverbindung 4/2 M5 Bestell-Nr. 903383
Mediumsanschluss	G3/8 und NPT3/8 - Muffenanschluss G1/2 - Außengewinde Schweißstutzen nach EN ISO 1127/ISO 4200, DIN 11850 Reihe 2, ASME BPE. Andere Anschlüsse auf Anfrage

6.4.4. Einbaulage

Beliebig, vorzugsweise Antrieb nach oben.

7. AUFBAU UND FUNKTION

7.1. Aufbau

Das Schrägsitzventil besteht aus einem pneumatisch betätigten Kolbenantrieb mit optischer Stellungsanzeige und einem 2/2-Wege Ventilgehäuse.


7.2. Funktion

Je nach Ausführung wird das Ventil mit Federkraft (Steuerfunktion A, SFA) oder mit Steuerdruck (Steuerfunktion B, SFB) gegen den Mediumsstrom geschlossen.

Federkraft (SFA) oder pneumatischer Steuerdruck (SFB) erzeugen die Schließkraft auf den Pendelteller. Über eine Spindel, die mit dem Antriebskolben verbunden ist, wird die Kraft übertragen.

Anströmung unter Sitz:

Da unter dem Pendelteller der Mediumsdruck ansteht, trägt dieser zur Öffnung des Ventils bei. Die Anströmung erfolgt unter dem Ventilsitz.

 Ein zu geringer Mindeststeuerdruck bei SFB oder das Überschreiten des zulässigen Mediumsdrucks kann zu Undichtigkeit führen!

7.2.1. Steuerfunktionen

Steuerfunktion A (SFA)

In Ruhestellung durch Federkraft geschlossen.

Steuerfunktion B (SFB)

In Ruhestellung durch Federkraft geöffnet.

8. MONTAGE

8.1. Sicherheitshinweise



GEFAHR!

Verletzungsgefahr durch hohen Druck in der Anlage!

- Vor dem Lösen von Leitungen oder Ventilen den Druck abschalten und Leitungen entlüften.



WARNUNG!

Verletzungsgefahr bei unsachgemäßer Montage!

- Die Montage darf nur autorisiertes Fachpersonal mit geeignetem Werkzeug durchführen!

Verletzungsgefahr durch ungewolltes Einschalten der Anlage und unkontrollierten Wiederanlauf!

- Anlage vor unbeabsichtigtem Betätigen sichern.
- Nach der Montage einen kontrollierten Wiederanlauf gewährleisten.

Quetschgefahr durch sich bewegenden pneumatischen Anschluss!

- Beim Öffnen und Schließen des Gerätes nicht den sich bewegenden pneumatischen Anschluss berühren.
- Nicht in den unmittelbaren Bereich oberhalb und unterhalb des Steuerluftanschlusses fassen.

8.2. Vor dem Einbau

- Die Einbaulage des Schrägsitzventils ist beliebig, vorzugsweise Antrieb nach oben.
- Vor dem Anschluss des Ventils auf fluchtende (spannungsfreie) Rohrleitungen achten.
- Durchflussrichtung beachten!
Siehe „Bild 3“.

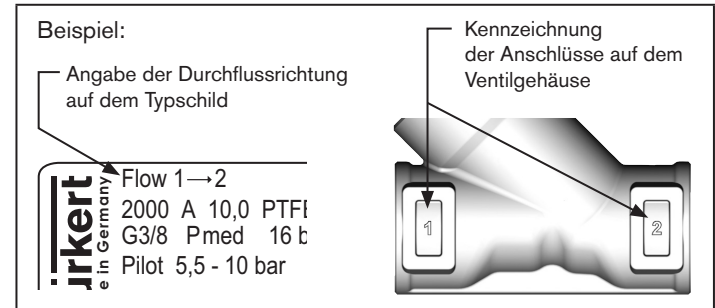


Bild 3: Kennzeichnung der Anschlüsse / Durchflussrichtung

8.2.1. Vorbereitende Aufgaben

→ Rohrleitungen von Verunreinigungen säubern (Dichtungsmaterial, Metallspäne etc.).

Schweißgehäuse:

→ Vor dem Einschweißen des Ventilgehäuses den Antrieb demonstrieren (siehe Kapitel „8.3.1“).

8.3. Einbau

8.3.1. Antrieb vom Ventilgehäuse demontieren (nur bei Schweißgehäusen)

WARNUNG!

Verletzungsgefahr durch beschädigte Geräte!

Durch Montagearbeiten mit falschem Werkzeug kann das Gerät beschädigt werden.

- Zur Demontage des Antriebs vom Ventilgehäuse einen Gabelschlüssel, keinesfalls eine Rohrzanze verwenden.

Steuerfunktion A:

→ Steuerluftanschluss mit Druckluft (5,5 bar) beaufschlagen, damit der Pendelteller vom Ventil Sitz abhebt und nicht beschädigt wird.

Steuerfunktion B:

Bei Steuerfunktion B muss für den Einbau keine Druckluft angelegt werden.

HINWEIS!

Beschädigung der Sitzdichtung bzw. der Sitzkontur!

- Das Ventil muss sich bei der Demontage des Antriebs in geöffneter Stellung befinden.

→ Antrieb bei offener Ventilstellung mit Gabelschlüssel vom Ventilgehäuse lösen (siehe „Bild 4“).

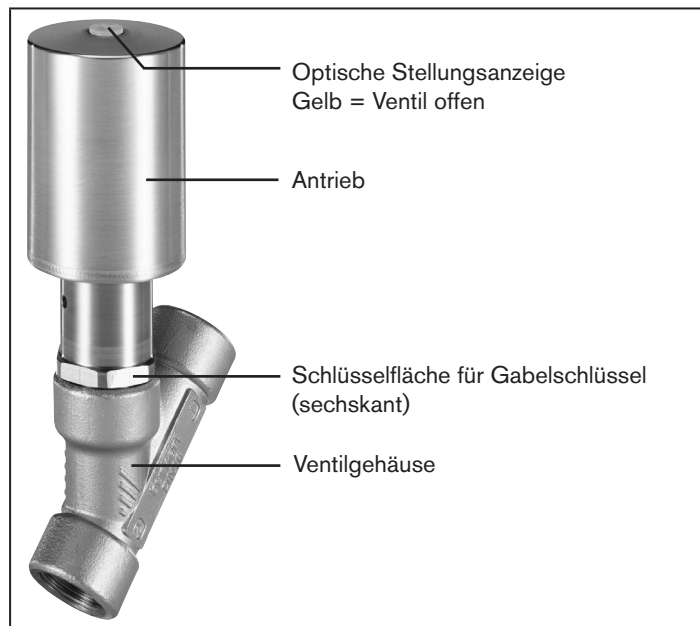


Bild 4: Antrieb demontieren

8.3.2. Ventilgehäuse in Rohrleitung einbauen

Bei Schweißgehäusen:

- Ventilgehäuse in Rohrleitungssystem einschweißen.
- Graphitdichtung prüfen und bei Bedarf erneuern.

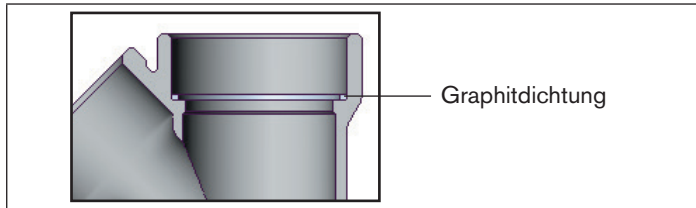


Bild 5: Graphitdichtung

Bei anderen Gehäuseausführungen:

- Ventilgehäuse mit Rohrleitung verbinden.

8.3.3. Antrieb auf Ventilgehäuse montieren



GEFAHR!

Explosionsgefahr durch falsche Schmierstoffe!

Ungeeigneter Schmierstoff kann das Medium verunreinigen. Bei Sauerstoffanwendungen besteht dadurch Explosionsgefahr.

- Bei spezifischen Anwendungen wie z. B. Sauerstoff - oder Analyseanwendungen nur entsprechend zugelassene Schmierstoffe verwenden.



WARNUNG!

Verletzungsgefahr durch beschädigte Geräte!

Durch Montagearbeiten mit falschem Werkzeug kann das Gerät beschädigt werden. Ebenso bei falschem Anziehdrehmoment.

- Zur Demontage des Antriebs vom Ventilgehäuse einen Gabelschlüssel, keinesfalls eine Rohrzanze verwenden.
- Anziehdrehmoment beachten ($40 \pm 3 \text{ Nm}$)

- Rohrgewinde vor Wiedereinbau des Antriebes einfetten (z. B. mit Klüberpaste UH1 96-402 der Fa. Klüber).
- **Bei Steuerfunktion A:** Steuerluftanschluss mit Druckluft (5,5 bar) beaufschlagen, damit der Pendelteller vom Ventilsitz abhebt und beim Einschrauben nicht beschädigt wird.
- Antrieb in das Ventilgehäuse einschrauben.
 - ⚠ Anziehdrehmoment ($40 \pm 3 \text{ Nm}$) beachten!



Sollte die Position der Steuerluftanschlusses für die Montage des Schlauches ungünstig sein, kann dieser durch Verdrehen des Antriebs um 360° stufenlos ausgerichtet werden.

8.4. Pneumatischer Anschluss



GEFAHR!

Verletzungsgefahr durch hohen Druck in der Anlage!

- Vor dem Lösen von Leitungen und Ventilen den Druck abschalten und Leitungen entlüften.



WARNUNG!

Verletzungsgefahr durch ungeeignete Anschlussschläuche!

- Schläuche die dem Druck- und Temperaturbereich nicht standhalten, können zu gefährlichen Situationen führen.
- Nur Schläuche verwenden, die für den angegebenen Druck- und Temperaturbereich zugelassen sind.
 - Die Datenblattangaben der Schlauchhersteller beachten.

8.4.1. Steuerluftanschlüsse



Bestell-Nr.
903383

Als Steuerluftanschluss ist der separat bestellbare 45°-Winkelanschluss zu empfehlen!

Hier sollte die freibewegliche Schlauchlänge min. 250 mm betragen.

Bei einer kürzeren Schlauchlänge wird die Haltbarkeit und Funktion der Steckkupplung beeinträchtigt!



Bei der Verwendung eines geraden Steuerluftanschlusses sollte die freibewegliche Schlauchlänge min. 400 mm betragen.

Bei einer kürzeren Schlauchlänge wird die Haltbarkeit und Funktion der Steckkupplung beeinträchtigt!



⚠ Quetschgefahr!

- Aufgrund der Quetschgefahr darf ein 90°-Steuerluftanschluss nicht verwendet werden!

9. INBETRIEBNAHME

9.1. Sicherheitshinweise



WARNUNG!

Verletzungsgefahr bei unsachgemäßem Betrieb!

Nicht sachgemäßer Betrieb kann zu Verletzungen, sowie Schäden am Gerät und seiner Umgebung führen.

- Vor der Inbetriebnahme muss gewährleistet sein, dass der Inhalt der Bedienungsanleitung dem Bedienungspersonal bekannt ist und vollständig verstanden wurde.
- Die Sicherheitshinweise und die bestimmungsgemäße Verwendung müssen beachtet werden.
- Nur ausreichend geschultes Personal darf die Anlage/das Gerät in Betrieb nehmen.

10. WARTUNG, REINIGUNG

10.1. Sicherheitshinweise



GEFAHR!

Verletzungsgefahr durch hohen Druck in der Anlage!

- Vor dem Lösen von Leitungen oder Ventilen den Druck abschalten und Leitungen entlüften.



WARNUNG!

Verletzungsgefahr bei unsachgemäßen Wartungsarbeiten!

- Die Wartung darf nur autorisiertes Fachpersonal mit geeignetem Werkzeug durchführen!

Verletzungsgefahr durch ungewolltes Einschalten der Anlage und unkontrollierten Wiederanlauf!

- Anlage vor unbeabsichtigtem Betätigen sichern.
- Nach der Wartung einen kontrollierten Wiederanlauf gewährleisten.
- Zum Ein- und Ausschrauben von Ventilgehäuse oder Antrieb einen Gabelschlüssel, keinesfalls eine Rohrzange verwenden und Anzugsmomente beachten.

10.2. Wartungsarbeiten

10.2.1. Antrieb

Der Antrieb des Schrägsitzventils ist wartungsfrei.

10.2.2. Schrägsitzventil

Verschleißteile die der natürlichen Abnutzung unterliegen:

- Pendelteller
- Graphitdichtung

Bei Undichtheiten das jeweilige Verschleißteil gegen ein entsprechendes Ersatzteil austauschen (siehe Kapitel „13. Ersatzteile“).

10.3. Reinigung

Zur Reinigung der Geräteoberfläche können handelsübliche Reinigungsmittel verwendet werden.

HINWEIS!

Vermeidung von Schäden durch Reinigungsmittel.

- Die Verträglichkeit der Mittel mit den Gehäusewerkstoffen und Dichtungen vor der Reinigung prüfen.

10.4. Empfohlene Hilfsstoffe

In dieser Anleitung werden für den einwandfreien Betrieb, die Wartung und die Reparatur des Gerätes folgende Hilfsstoffe empfohlen:

Art des Hilfsstoffs	Produktbezeichnung	Hersteller und Internetadresse
Schmierpaste	Klüberpaste UH1 96-402	Klüber Lubrication München KG, www.klueber.de
Klebstoff	Loctite 640	Marketing Loctite, Henkel AG & Co.KG&A, www.loctite.de

11. INSTANDHALTUNG



VORSICHT!

Verletzungsgefahr, Sachschäden durch falsche Teile!

Falsches Zubehör und ungeeignete Ersatzteile können Verletzungen und Schäden am Gerät und dessen Umgebung verursachen

- Nur Originalzubehör sowie Originalersatzteile der Firma Bürkert verwenden.

11.1. Austausch des Ventilsatzes

Der Ventilsatz beinhaltet:

- **Den Pendelteller:**
bestehend aus
 - Dichtungshalter
 - Sitzdichtung
 - Zentrierung
- **Die Graphitdichtung**
Diese ist auch separat bestellbar



Für den Austausch des Ventilsatzes muss zunächst, wie nachfolgend beschrieben, der Antrieb vom Ventilgehäuse demontiert werden.

11.1.1. Antrieb vom Ventilgehäuse demontieren



GEFAHR!

Verletzungsgefahr durch Mediumsautritt und Druckentladung!

Der Ausbau des unter Druck stehenden Gerätes ist wegen plötzlicher Druckentladung und Mediumsautritt gefährlich.

- Vor dem Lösen von Leitungen oder Ventilen den Druck abschalten und Leitungen entlüften.



WARNUNG!

Verletzungsgefahr durch beschädigte Geräte!

Durch Montagearbeiten mit falschem Werkzeug kann das Gerät beschädigt werden.

- Zur Demontage des Antriebs vom Ventilgehäuse einen Gabelschlüssel, keinesfalls eine Rohrzange verwenden.

Steuerfunktion A:

→ Steuerluftanschluss mit Druckluft (5,5 bar) beaufschlagen, damit der Pendelteller vom Ventilsitz abhebt und nicht beschädigt wird.

Steuerfunktion B:

Bei Steuerfunktion B muss für die Demontage keine Druckluft angelegt werden.

HINWEIS!

Beschädigung der Sitzdichtung bzw. der Sitzkontur!

- Das Ventil muss sich bei der Demontage des Antriebs in geöffneter Stellung befinden.

→ Antrieb bei offener Ventilstellung mit Gabelschlüssel (SW 22) vom Ventilgehäuse lösen (siehe „Bild 6“).

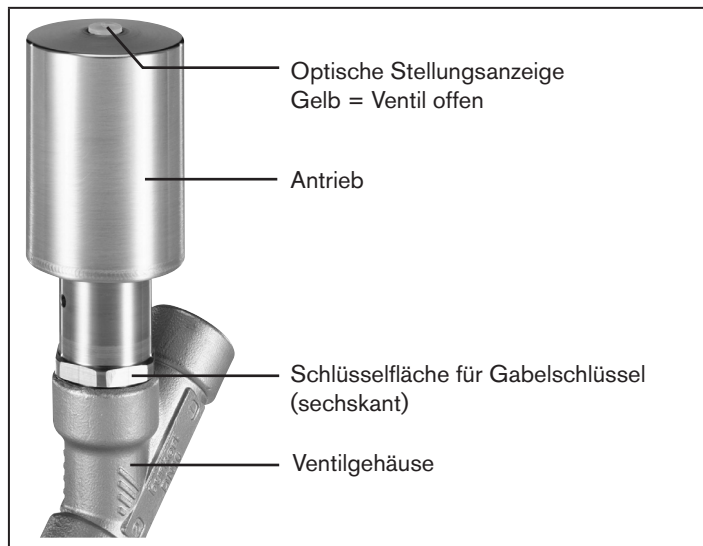


Bild 6: Antrieb demontieren

11.1.2. Ventilsatz tauschen

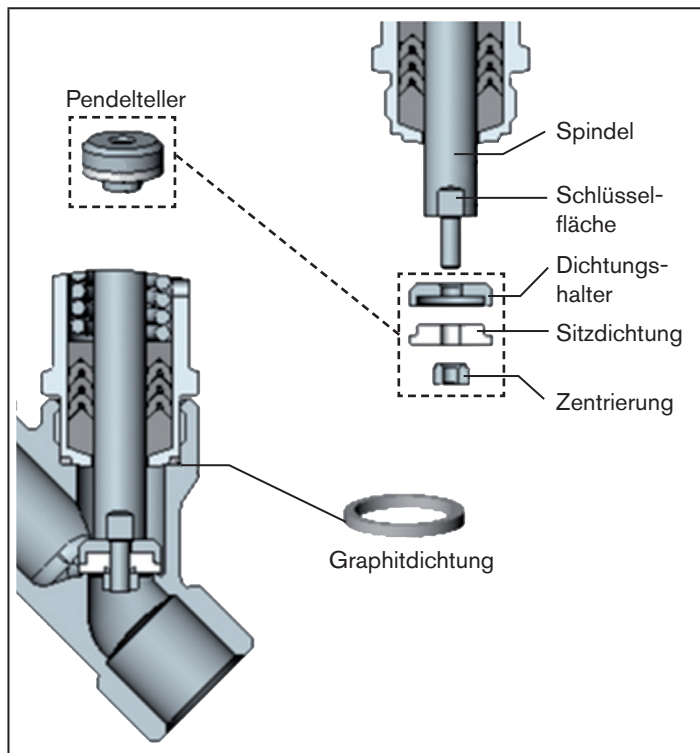


Bild 7: Ventilsatz



WARNUNG!

Verletzungsgefahr durch beschädigte Geräte!

Durch Montagearbeiten mit falschem Werkzeug kann das Gerät beschädigt werden.

- Zur Demontage des Antriebs vom Ventilgehäuse einen Gabelschlüssel, keinesfalls eine Rohrzanze verwenden.

Durch ein zu großes Anziehdrehmoment, kann das Spindelgewinde beschädigt werden.

- Anziehdrehmoment beachten (40 ± 3 Nm)

Vorgehensweise:

- Spindel an der Schlüsselfläche mit Gabelschlüssel (SW 7) gehalten.
- Zentrierung mit einem passenden Gabelschlüssel (SW 5,5) vorsichtig lösen, um das Spindelgewinde nicht zu beschädigen.
- Zentrierung abschrauben.
- Dichtungshalter mit Sitzdichtung abziehen.
- Neuen Dichtungshalter und neue Sitzdichtung auf die Spindel stecken.
- Klebstoff (Loctite 640) auf Spindelgewinde auftragen.
- Zentrierung aufschrauben und mit einem passenden Gabelschlüssel (SW 5,5) anziehen.



Anziehdrehmoment (40 ± 3 Nm) beachten!

11.1.3. Antrieb auf Ventilgehäuse montieren



WARNUNG!

Verletzungsgefahr durch ungewolltes Einschalten der Anlage und unkontrollierten Wiederanlauf!

- Anlage vor unbeabsichtigtem Betätigen sichern.
- Nach der Montage einen kontrollierten Wiederanlauf gewährleisten.



GEFAHR!

Explosionsgefahr durch falsche Schmierstoffe!

Ungeeigneter Schmierstoff kann das Medium verunreinigen. Bei Sauerstoffanwendungen besteht dadurch Explosionsgefahr.

- Bei spezifischen Anwendungen wie z. B. Sauerstoff - oder Analyseanwendungen nur entsprechend zugelassene Schmierstoffe verwenden.
- Rohrgewinde vor Wiedereinbau des Antriebes einfetten (z. B. mit Klüberpaste UH1 96-402 der Fa. Klüber).
 - Graphitdichtung prüfen und bei Bedarf erneuern.

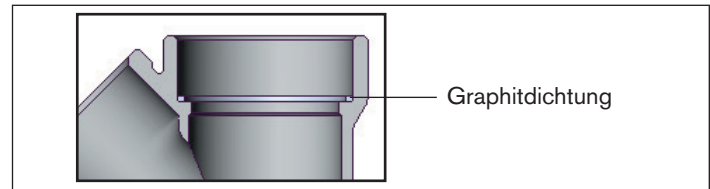


Bild 8: Graphitdichtung

→ Bei **Steuerfunktion A**: Steuerluftanschluss mit Druckluft (5,5 bar) beaufschlagen, damit der Pendelteller vom Ventilsitz abhebt und beim Einschrauben nicht beschädigt wird.

 **WARNUNG!**

Verletzungsgefahr durch beschädigte Geräte!


Durch Montagearbeiten mit falschem Werkzeug kann das Gerät beschädigt werden.

- Zur Demontage des Antriebs vom Ventilgehäuse einen Gabelschlüssel, keinesfalls eine Rohrzanze verwenden.

Durch ein zu großes Anziehdrehmoment, kann das Spindelgewinde beschädigt werden.

- Anziehdrehmoment beachten (40 ± 3 Nm)

→ Antrieb in das Ventilgehäuse einschrauben.

-  Anziehdrehmoment (40 ± 3 Nm) beachten!



Sollte die Position der Steuerluftanschlusses für die Montage des Schlauches ungünstig sein, kann dieser durch Verdrehen des Antriebs um 360° stufenlos ausgerichtet werden.

12. STÖRUNGEN

Störung	Beseitigung
Antrieb schaltet nicht.	Steuerdruck zu gering. → Siehe Druckangabe auf dem Typschild.
	Mediumsdruck zu hoch. → Siehe Druckangabe auf dem Typschild.
	Durchflussrichtung vertauscht. → Siehe Kennzeichnung auf dem Typschild.
Ventil ist nicht dicht.	Schmutz zwischen Dichtung und Ventilsitz. → Schmutzfänger einbauen.
	Sitzdichtung verschlissen. → Neuen Pendelteller einbauen.
	Sitzdichtung beschädigt, z.B. durch Fremdkörper, Span oder Ähnliches. → Neuen Pendelteller einbauen.
	Durchflussrichtung vertauscht. → Siehe Kennzeichnung auf dem Typschild.
	Steuerdruck zu gering. → Siehe Druckangabe auf dem Typschild.
	Mediumsdruck zu hoch. → Siehe Druckangabe auf dem Typschild.
Ventil leckt an der Entlüftungsbohrung.	Spindelabdichtung verschlissen. → Antrieb austauschen.

Tab. 1: Störungen

13. ERSATZTEILE



VORSICHT!

Verletzungsgefahr, Sachschäden durch falsche Teile!

Falsches Zubehör und ungeeignete Ersatzteile können Verletzungen und Schäden am Gerät und dessen Umgebung verursachen

- Nur Originalzubehör sowie Originalersatzteile der Firma Bürkert verwenden.

Als Ersatzteilsatz für das Schrägsitzventil Typ 2000 INOX ist der Ventilsatz unter der Bestell-Nr. 220053 erhältlich. Dieser beinhaltet:

- **Den Pendelteller:**
bestehend aus
 - Dichtungshalter
 - Sitzdichtung
 - Zentrierung
- **Die Graphitdichtung**
Diese ist auch separat bestellbar

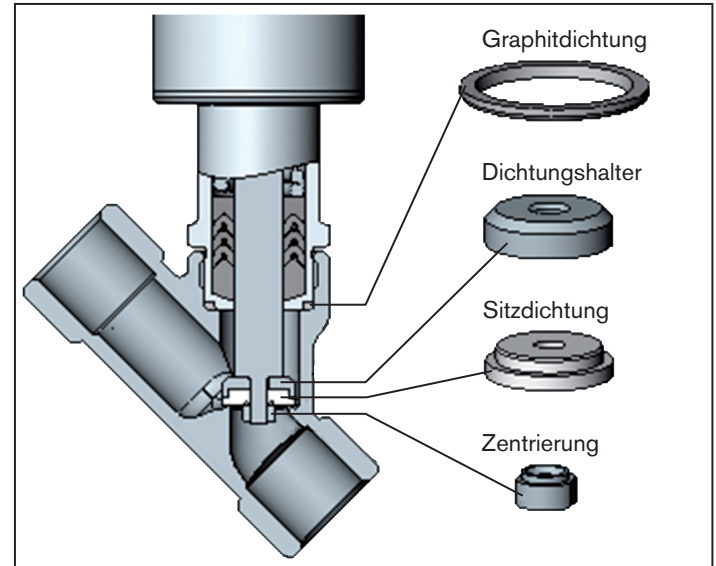


Bild 9: Ventilsatz

14. TRANSPORT, LAGERUNG, ENTSORGUNG

HINWEIS!

Transportschäden!

Unzureichend geschützte Geräte können durch den Transport beschädigt werden.

- Gerät vor Nässe und Schmutz geschützt in einer stoßfesten Verpackung transportieren.
- Eine Über- bzw. Unterschreitung der zulässigen Lagertemperatur vermeiden.

Falsche Lagerung kann Schäden am Gerät verursachen.

- Gerät trocken und staubfrei lagern!
- Lagertemperatur. -20 ... +65 °C.

Umweltschäden durch von Medien kontaminierte Geräteteile.

- Gerät und Verpackung umweltgerecht entsorgen!
- Geltende Entsorgungsvorschriften und Umweltbestimmungen einhalten.

1. MANUEL	42	8. MONTAGE	49
1.1. Symboles.....	42	8.1. Consignes de sécurité.....	49
1.2. Définition du terme appareil.....	42	8.2. Avant le montage.....	50
2. UTILISATION CONFORME	43	8.3. Montage	50
2.1. Limitations.....	43	8.4. Raccordement pneumatique	52
3. CONSIGNES DE SÉCURITÉ FONDAMENTALES	44	9. MISE EN SERVICE	53
4. INDICATIONS GÉNÉRALES	45	9.1. Consignes de sécurité.....	53
4.1. Adresse	45	10. MAINTENANCE, NETTOYAGE	54
4.2. Garantie légale.....	45	10.1. Consignes de sécurité.....	54
4.3. Informations sur Internet.....	45	10.2. Travaux de maintenance	54
5. DESCRIPTION DU PRODUIT	45	10.3. Nettoyage	54
5.1. Description générale	45	10.4. Produits auxiliaires recommandés.....	55
5.2. Propriétés.....	45	11. MAINTENANCE	55
6. CARACTÉRISTIQUES TECHNIQUES	46	11.1. Remplacement du jeu de vannes	55
6.1. Conformité	46	12. PANNES	59
6.2. Normes	46	13. PIÈCES DE RECHANGE	59
6.3. Conditions d'exploitation	46	14. TRANSPORT, STOCKAGE, ÉLIMINATION	60
6.4. Caractéristiques techniques générales	48		
7. STRUCTURE ET MODE DE FONCTIONNEMENT	49		
7.1. Structure	49		
7.2. Fonction.....	49		

1. MANUEL

Le manuel décrit le cycle de vie complet de l'appareil. Conservez ce manuel de sorte qu'il soit accessible à tout utilisateur et à disposition de tout nouveau propriétaire.

Le manuel contient des informations importantes sur la sécurité !

Le non-respect de ces consignes peut entraîner des situations dangereuses.

- Le manuel doit être lu et compris.

1.1. Symboles



DANGER !

Met en garde contre un danger imminent !

- Le non-respect peut entraîner la mort ou de graves blessures.



AVERTISSEMENT !

Met en garde contre une situation éventuellement dangereuse !

- Risque de blessures graves, voire la mort en cas de non-respect.



ATTENTION !

Met en garde contre un risque possible !

- Le non-respect peut entraîner des blessures moyennes ou légères.

REMARQUE !

Met en garde contre des dommages matériels !

- L'appareil ou l'installation peut être endommagé(e) en cas de non-respect.



désigne des informations complémentaires importantes, des conseils et des recommandations.



renvoie à des informations dans ce manuel ou dans d'autres documentations.

→ identifie une opération que vous devez effectuer.

1.2. Définition du terme appareil

Le terme « appareil » utilisé dans ces instructions désigne toujours la vanne à siège incliné type 2000 INOX.

2. UTILISATION CONFORME

L'utilisation non conforme de la vanne à siège incliné type 2000 INOX (désignée ci-après par « appareil ») peut présenter des dangers pour les personnes, les installations proches et l'environnement.

- L'appareil a été conçu pour la commande du débit de fluides liquides et gazeux.
- Dans une zone exposée à un risque d'explosion, l'appareil doit impérativement être utilisé conformément à la spécification indiquée sur la plaque signalétique de sécurité séparée. Lors de l'utilisation, il convient de respecter les informations supplémentaires fournies avec l'appareil et reprenant les consignes de sécurité pour la zone exposée à des risques d'explosion.
- Les appareils sans plaque signalétique de sécurité séparée ne doivent pas être installés dans une zone soumise à un risque d'explosion.
- Lors de l'utilisation, il convient de respecter les données et conditions d'utilisation et d'exploitation admissibles spécifiées dans le manuel et dans les documents contractuels. Celles-ci sont décrites au chapitre [« 6. Caractéristiques techniques »](#).
- L'appareil peut être utilisé uniquement en association avec les appareils et composants étrangers recommandés et homologués par Bürkert.
- Les conditions pour l'utilisation sûre et parfaite sont un transport, un stockage et une installation dans les règles ainsi qu'une utilisation et une maintenance parfaites.
- Veillez à ce que l'utilisation de l'appareil soit toujours conforme.

2.1. Limitations

Lors de l'exportation du système/de l'appareil, veuillez respecter les limitations éventuelles existantes.

3. CONSIGNES DE SÉCURITÉ FONDAMENTALES

Ces consignes de sécurité ne tiennent pas compte

- des hasards et des événements pouvant survenir lors du montage, de l'exploitation et de l'entretien des appareils.
- des prescriptions de sécurité locales que l'exploitant est tenu de faire respecter entre autres par le personnel chargé du montage.



Danger dû à la haute pression !

- Avant de desserrer les conduites ou les vannes, couper la pression et purger l'air des conduites.

Risque de pincement dû à un raccord pneumatique en mouvement !

- Lors de l'ouverture et de la fermeture de l'appareil, ne pas entrer en contact avec le raccord pneumatique en mouvement.
- Ne pas mettre la main dans la zone immédiatement au-dessus et en-dessous du raccord d'air de commande.

Risque de coup de bélier pour l'arrivée du flux au-dessus du siège !

- En cas d'arrivée du flux au-dessus du siège de la vanne à siège incliné, ne pas l'utiliser pour les substances liquides en raison du risque de coup de bélier.

Risque de brûlures/d'incendie en fonctionnement continu dû à des surfaces d'appareil brûlantes !

- Ne pas toucher l'appareil à mains nues.
- Tenir l'appareil éloigné des matières et fluides facilement inflammables.

Situations dangereuses d'ordre général.

Pour prévenir les blessures, respectez ce qui suit :

- Alimenter les raccords de fluides seulement avec les fluides transportés énumérés au chapitre « Caractéristiques techniques ».
- Ne pas soumettre le boîtier à des contraintes mécaniques (par ex. en déposant des objets sur le boîtier ou en l'utilisant comme marche).
- L'actionnement par inadvertance de l'installation ne doit pas être possible.
- Seul du personnel qualifié peut effectuer l'installation et la maintenance.
- Après une interruption de l'alimentation électrique ou pneumatique, un redémarrage défini ou contrôlé du processus doit être garanti.
- L'appareil doit être utilisé uniquement en parfait état et en respectant le manuel.
- Les règles générales de la technique sont d'application pour planifier l'utilisation et utiliser l'appareil.



La vanne à siège incliné type 2000 INOX a été développée dans le respect des règles reconnues en matière de sécurité et correspond à l'état actuel de la technique. Néanmoins, des risques peuvent se présenter.

4. INDICATIONS GÉNÉRALES

4.1. Adresse

Allemagne

Bürkert Fluid Control Systems
Sales Center
Christian-Bürkert-Str. 13-17
D-74653 Ingelfingen
Tél. + 49 (0) 7940 - 10 91 111
Fax + 49 (0) 7940 - 10 91 448
E-mail: info@de.buerkert.com

International

Les adresses se trouvent aux dernières pages du manuel imprimé.

Également sur internet sous : www.burkert.com

4.2. Garantie légale

La condition pour bénéficier de la garantie légale est l'utilisation conforme de l'appareil dans le respect des conditions d'utilisation spécifiées.

4.3. Informations sur Internet

Vous trouverez sur Internet les manuels et fiches techniques relatives au type 2000 INOX : www.buerkert.fr

5. DESCRIPTION DU PRODUIT

5.1. Description générale

La vanne à siège incliné 2/2 voies type 2000 INOX convient aux fluides liquides et gazeux.

Au moyen de gaz neutres ou d'air (fluides de commande), elle commande le débit substances, comme l'eau, l'alcool, l'huile, le carburant, le liquide hydraulique, la solution saline, la lessive, le solvant organique et la vapeur (fluides transportés).

5.2. Propriétés

- Étanchéité élevée.
- Valeurs de débit élevées.
- Raccord d'air de commande central et rotatif en continu sur 360°.
- Affichage optique de position
- Demande peu d'entretien

5.2.1. Limitations

La vanne à siège incliné ne doit pas être utilisée pour des substances liquides en cas d'arrivée du flux au-dessus du siège en raison du risque de coup de bélier !

6. CARACTÉRISTIQUES TECHNIQUES

6.1. Conformité

La vanne à siège incliné type 2000 INOX répond aux directives CE conformément à la déclaration de conformité CE.

6.2. Normes

Les normes utilisées, avec lesquelles la conformité avec les directives CE sont prouvées, figurent dans l'attestation CE de type et/ou la déclaration de conformité CE.

6.3. Conditions d'exploitation

6.3.1. Températures admissibles

Température ambiante : 0 °C ... 60 °C

Température du fluide : 0 °C ... +180 °C



La vanne à siège incliné peut passer en autoclave.

À cet usage, il convient de retirer le raccord d'air de commande.

L'association de la température maximale du fluide et de la température ambiante maximale est indiquée dans le diagramme dans la « Fig. 1 » :

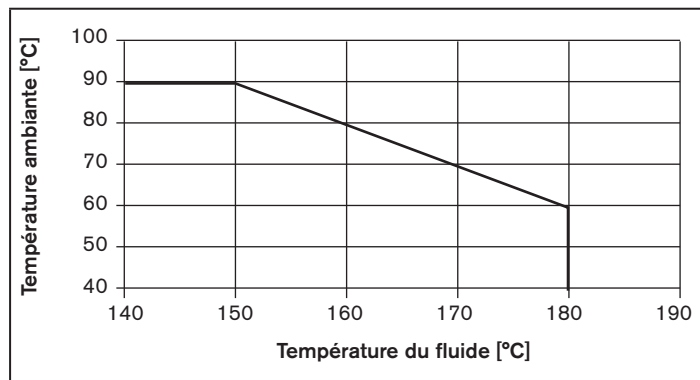


Fig. 1 : Association température du fluide / température ambiante

6.3.2. Plages de pression



AVERTISSEMENT !

Sortie de fluide et risque d'éclatement.

Un dépassement de la pression du fluide et de commande admissible peut entraîner des défauts d'étanchéité et l'éclatement de conduites ou de l'appareil.

Pour la fonction de commande B, une pression de commande trop faible peut entraîner des défauts d'étanchéité.

- Ne pas dépasser la pression du fluide, ni la pression de commande.
- Pour la fonction de commande B, respecter la pression de commande minimale de 4 bar.

Les informations de pression spécifiques au produit sont indiquées sur la plaque signalétique.

Pression de commande minimale avec la fonction de commande B : 4 bar

6.3.3. Fluides



AVERTISSEMENT !

Risque de blessure en raison de l'éclatement de conduites suite à un coup de bélier !

Si la vanne est utilisée pour des fluides liquides en cas d'arrivée du flux au-dessus du siège, un coup de bélier peut provoquer l'éclatement des conduites et de l'appareil.

- Ne pas utiliser des vannes avec arrivée du flux au-dessus du siège pour les fluides liquides !

Fluide de commande : gaz neutres, air

Fluides transportés : eau, les alcools, huiles, carburants, liquides hydrauliques, solutions salines, lessives, solvants organiques, vapeur, air, gaz neutres

6.4. Caractéristiques techniques générales

6.4.1. Informations sur la plaque signalétique

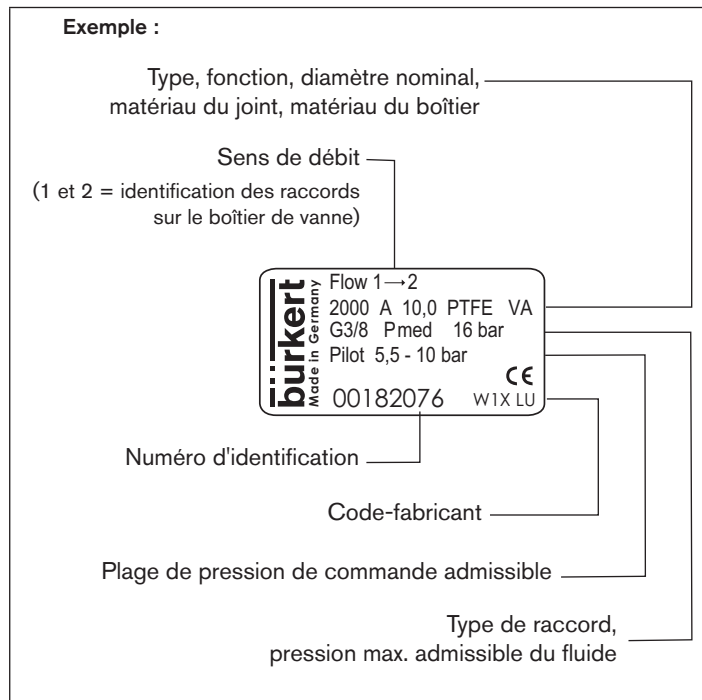


Fig. 2 : Exemple de plaque signalétique

6.4.2. Matériaux

Boîtier de vanne	acier inoxydable 316L
Actionneur	acier inoxydable 1.4404
Éléments d'étanchéité	FKM
Joint de broche (avec graisse silicone)	joints en V PTFE avec compensation ressort
Joint de siège	PTFE
Broche	acier inoxydable 1.4401/1.4404

6.4.3. Raccords

Raccord d'air de commande (recommandation)	connexion de flexible 45° 4/2 M5 Référence 903383
Raccord de fluide	G3/8 et NPT3/8 - raccord manchon G1/2 - filetage extérieur Raccord soudé selon EN ISO 1127/ ISO 4200, DIN 11850 rang 2, ASME BPE. Autres raccords sur demande

6.4.4. Position de montage

Au choix, de préférence actionneur vers le haut.

7. STRUCTURE ET MODE DE FONCTIONNEMENT

7.1. Structure

La vanne à siège incliné est composée d'un actionneur par piston à commande pneumatique avec affichage de position optique et d'un boîtier de vanne 2/2 voies.


7.2. Fonction

Selon la version, la vanne se ferme contre le flux du fluide par l'effet de ressort (fonction de commande A, SFA) ou par la pression de commande (fonction de commande B, SFB).

L'effet de ressort (SFA) ou la pression de commande pneumatique (SFB) génère la force de fermeture sur le disque pendulaire. La force est transmise par une broche reliée au piston d'actionneur.

Arrivée du flux sous le siège :

Etant donné la présence de la pression du fluide sous le disque pendulaire, elle contribue à l'ouverture de la vanne. L'arrivée du flux a lieu sous le siège de la vanne.

 Une pression de commande minimale trop faible pour SFB ou le dépassement de la pression de fluide admissible peut entraîner une fuite !

7.2.1. Fonctions de commande

Fonction de commande A (SFA)

Fermé en position de repos par l'action d'un ressort.

Fonction de commande B (SFB)

Ouvert en position de repos par l'action d'un ressort.

8. MONTAGE

8.1. Consignes de sécurité



DANGER !

Risque de blessures dû à la présence de haute pression dans l'installation !

- Avant de desserrer les conduites ou les vannes, couper la pression et purger l'air des conduites.



AVERTISSEMENT !

Risque de blessures dû à un montage non conforme !

- Le montage doit être effectué uniquement par un personnel qualifié et habilité disposant de l'outillage approprié !

Risque de blessures dû à la mise en marche involontaire de l'installation et au redémarrage non contrôlé !

- Empêcher tout actionnement involontaire de l'installation.
- Garantir un redémarrage contrôlé après le montage.

Risque de pincement dû à un raccord pneumatique en mouvement !

- Lors de l'ouverture et de la fermeture de l'appareil, ne pas entrer en contact avec le raccord pneumatique en mouvement.
- Ne pas mettre la main dans la zone immédiatement au-dessus et en-dessous du raccord d'air de commande.

8.2. Avant le montage

- La position de montage de la vanne à siège incliné est au choix, de préférence actionneur vers le haut.
- Avant de raccorder la vanne, veillez à ce que les tuyauteries soient correctement alignées (ne soient pas sous tension).
- Respecter le sens du débit !
Voir « Fig. 3 ».

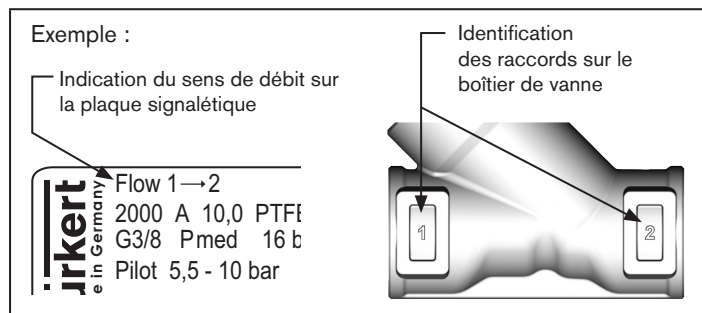


Fig. 3 : Identification des raccords / sens du débit

8.2.1. Activités de préparation

→ Nettoyer les tuyauteries (matériau d'étanchéité, copeaux de métal, etc.).

Corps soudé :

→ Avant de souder le boîtier de la vanne, démonter l'actionneur (voir chapitre « 8.3.1 »).

8.3. Montage

8.3.1. Démontez l'actionneur du boîtier de la vanne (uniquement pour les corps soudés).



AVERTISSEMENT !

Risque de blessure dû à des appareils endommagés !

L'appareil peut être endommagé par des travaux de montage avec un outil inapproprié.

- Utiliser une clé plate pour démonter l'actionneur du boîtier de vanne, en aucun cas une clé à tubes.

Fonction de commande A :

→ Il convient d'appliquer de l'air comprimé (5,5 bar) au raccord d'air de commande pour que le disque pendulaire se soulève du siège de vanne et ne soit pas endommagé.

Fonction de commande B :

La fonction de commande B ne nécessite pas d'application d'air comprimé pour le montage.

REMARQUE !

Joint de siège et/ou contour de siège endommagé !

- Lors du démontage de l'actionneur, la vanne doit être en position ouverte.

→ Enlever l'actionneur avec la vanne en position d'ouverture à l'aide de la clé à fourche (voir « Fig. 4 »).

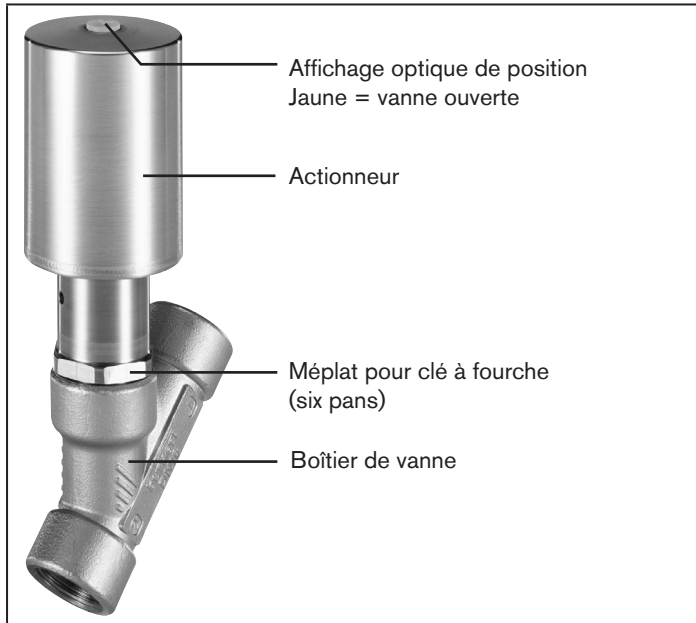


Fig. 4 : Démontez l'actionneur

8.3.2. Monter le boîtier de vanne dans la tuyauterie

Pour les corps soudés :

- Souder le boîtier de vanne dans le système de tuyauterie.
- Contrôler le joint graphite et le remplacer si nécessaire.

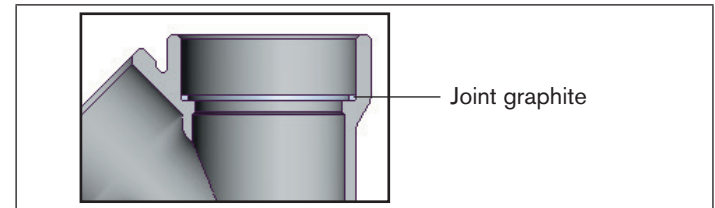


Fig. 5 : Joint graphite

Pour les autres versions de boîtier :

- Relier le boîtier de vanne à la tuyauterie.

8.3.3. Monter l'actionneur sur le boîtier de vanne



DANGER !

Risque d'explosion dû à de mauvais lubrifiants !

Un lubrifiant non approprié peut encrasser le fluide. En cas d'applications faisant usage d'oxygène, il existe alors un risque d'explosion.

- Utiliser uniquement des lubrifiants homologués pour les applications spécifiques comme par ex. celles faisant usage d'oxygène ou les applications d'analyse.



AVERTISSEMENT !

Risque de blessure dû à des appareils endommagés !

L'appareil peut être endommagé par des travaux de montage avec un outil inapproprié. Le même risque s'applique en cas d'utilisation du mauvais couple de serrage.

- Utiliser une clé plate pour démonter l'actionneur du boîtier de vanne, en aucun cas une clé à tubes.
- Respecter le couple de serrage (40 ± 3 Nm)

- Avant de remonter l'actionneur, lubrifier le filet du tuyau (par ex. de pâte Klüber UH1 96-402 de la société Klüber).
- **Avec la fonction de commande A** : Lorsque l'actionneur est vissé, il convient d'appliquer de l'air comprimé (5,5 bar) au raccord d'air de commande pour que le disque pendulaire se soulève du siège de vanne et ne soit pas endommagé.
- Visser l'actionneur dans le boîtier de vanne.



Respecter le couple de serrage (40 ± 3 Nm) !



Si après installation, la position du raccord d'air de commande s'avérait gênante pour le montage du flexible, il est possible d'aligner celui-ci en continu en tournant l'actionneur de 360°.

8.4. Raccordement pneumatique



DANGER !

Risque de blessures dû à la présence de haute pression dans l'installation !

- Avant de desserrer les conduites et les vannes, couper la pression et assurer l'échappement de l'air des conduites.




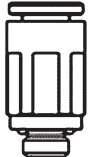


AVERTISSEMENT !

Risque de blessures dû aux tuyaux flexibles de raccordement non appropriés !

Les tuyaux flexibles ne résistant pas à la plage de pression et de température peuvent entraîner des situations dangereuses.

- Utiliser uniquement des tuyaux flexibles homologués pour la plage de pression et de température indiquée.
- Respecter les indications figurant sur la fiche technique du fabricant de tuyaux flexibles.

8.4.1. Raccords d'air de commande

 <p>Référence 903383</p>	<p>Nous recommandons le raccord angulaire de 45° à commander séparément pour faire office de raccord d'air de commande !</p> <p>À cet effet, la longueur de tuyau flexible bougeant librement doit être de 250 mm min.</p> <p>En cas de tuyau flexible plus court, la durée de vie et le fonctionnement du raccord enfichable seront réduits !</p>
	<p>En cas d'utilisation d'un raccord d'air de commande droit, la longueur de tuyau flexible bougeant librement doit être de 400 mm min.</p> <p>En cas de tuyau flexible plus court, la durée de vie et le fonctionnement du raccord enfichable seront réduits !</p>
	<p> Risque de pincement !</p> <ul style="list-style-type: none"> Il est interdit d'utiliser un raccord d'air de commande de 90° en raison du risque de pincement !

9. MISE EN SERVICE

9.1. Consignes de sécurité



AVERTISSEMENT !

Risque de blessures dû à une exploitation non conforme !

Une utilisation non conforme peut entraîner des blessures et endommager l'appareil et son environnement.

- Avant la mise en service, il faut s'assurer que le contenu du manuel est connu et parfaitement compris par les opérateurs.
- Respecter les consignes de sécurité et l'utilisation conforme.
- L'appareil/l'installation doit être mis(e) en service uniquement par un personnel suffisamment formé.

10. MAINTENANCE, NETTOYAGE

10.1. Consignes de sécurité



DANGER !

Risque de blessures dû à la présence de haute pression dans l'installation !

- Avant de desserrer les conduites ou les vannes, couper la pression et purger l'air des conduites.



AVERTISSEMENT !

Risque de blessures dû à des travaux d'entretien non conformes !

- L'entretien doit être effectué uniquement par un personnel qualifié et habilité disposant de l'outillage approprié !

Risque de blessures dû à la mise en marche involontaire de l'installation et au redémarrage non contrôlé !

- Empêcher tout actionnement involontaire de l'installation.
- Garantir un redémarrage contrôlé après l'entretien.
- Utiliser une clé à fourche pour visser et dévisser le boîtier de vanne ou l'actionneur, en aucun cas une clé à tubes. Respecter les couples de serrage.

10.2. Travaux de maintenance

10.2.1. Actionneur

L'actionneur de la vanne à siège incliné ne nécessite pas de maintenance.

10.2.2. Vanne à siège incliné

Pièces d'usure soumis à une usure naturelle :

- Disque pendulaire
- Joint graphite

En cas de fuites, remplacer la pièce d'usure concernée par une pièce de rechange correspondante (voir chapitre « [13. Pièces de rechange](#) »).

10.3. Nettoyage

Pour nettoyer la surface de l'appareil, des produits de nettoyage courants peuvent être utilisés.

REMARQUE !

Éviter les dommages dus aux produits de nettoyage.

- Vérifier la compatibilité des produits avec les matériaux du boîtier et les joints avant d'effectuer le nettoyage.

10.4. Produits auxiliaires recommandés

Les produits auxiliaires suivants sont conseillés dans ces instructions pour le fonctionnement, la maintenance et la réparation corrects de l'appareil :

Type de produit auxiliaire	Désignation du produit	Fabricant et adresse Internet
Pâte de lubrification	Pâte Klüber UH1 96-402	Klüber Lubrication München KG, www.klueber.de
Colle	Loctite 640	Marketing Loctite, Henkel AG & Co.KGaA, www.loctite.de

11. MAINTENANCE



ATTENTION !

Risque de blessures, de dommages matériels dus à de mauvaises pièces !

De mauvais accessoires ou des pièces de rechange inadaptées peuvent provoquer des blessures et endommager l'appareil ou son environnement.

- Utiliser uniquement des accessoires et des pièces de rechange d'origine de la société Bürkert.

11.1. Remplacement du jeu de vanes

Le jeu de vanes contient :

- **Le disque pendulaire :**
 - composé de
 - support de joint
 - joint de siège
 - centrage
- **Le joint graphite**
Ce dernier peut être commandé séparément



Le remplacement du jeu de vanes nécessite d'abord le démontage de l'actionneur du boîtier de vanne, comme décrit ci-après.

11.1.1. Démontez l'actionneur du boîtier de vanne



DANGER !

Risque de blessures dû à la sortie de fluide et à la décharge de pression !

Le démontage de l'appareil sous pression est dangereux du fait de la décharge de pression et de la sortie de fluide soudaine.

- Avant de desserrer les conduites ou les vannes, couper la pression et purger l'air des conduites.



AVERTISSEMENT !

Risque de blessure dû à des appareils endommagés !

L'appareil peut être endommagé par des travaux de montage avec un outil inapproprié.

- Utiliser une clé plate pour démonter l'actionneur du boîtier de vanne, en aucun cas une clé à tubes.

Fonction de commande A :

→ Il convient d'appliquer de l'air comprimé (5,5 bar) au raccord d'air de commande pour que le disque pendulaire se soulève du siège de vanne et ne soit pas endommagé.

Fonction de commande B :

La fonction de commande B ne nécessite pas d'application d'air comprimé pour le démontage.

REMARQUE !

Joint de siège et/ou contour de siège endommagé !

- Lors du démontage de l'actionneur, la vanne doit être en position ouverte.

→ Enlever l'actionneur avec la vanne en position d'ouverture à l'aide de la clé à fourche (surplat 22) (voir « Fig. 6 »).

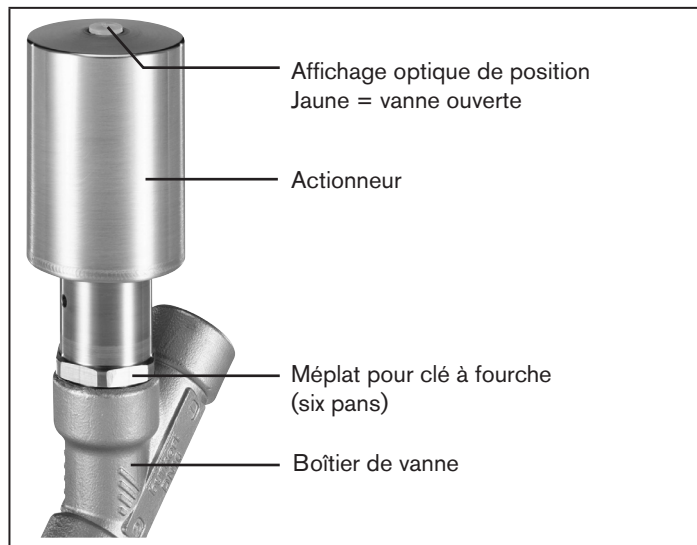


Fig. 6 : Démontez l'actionneur

11.1.2. Remplacer le jeu de vanes

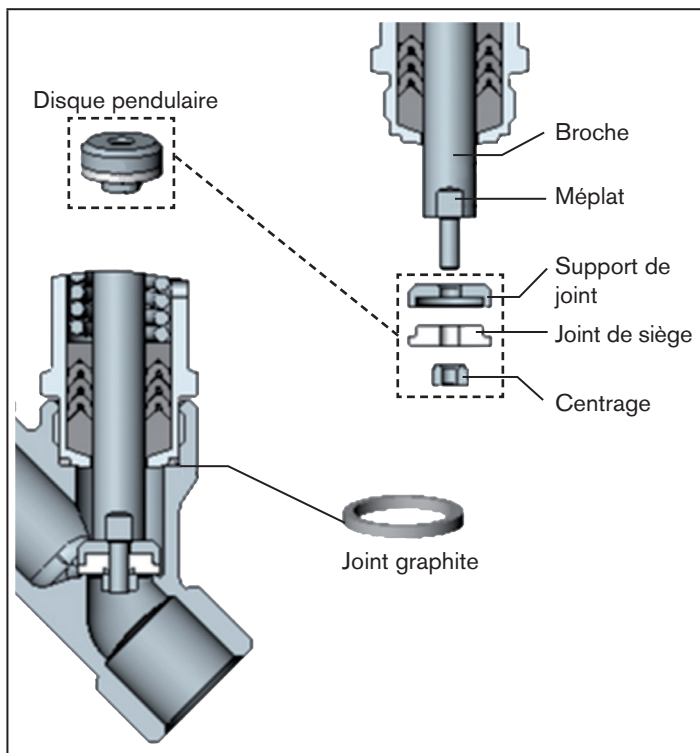


Fig. 7 : Jeu de vanes



AVERTISSEMENT !

Risque de blessure dû à des appareils endommagés !

L'appareil peut être endommagé par des travaux de montage avec un outil inapproprié.

- Utiliser une clé plate pour démonter l'actionneur du boîtier de vanne, en aucun cas une clé à tubes.

Le filetage de la broche peut être endommagé par un couple de serrage trop fort.

- Respecter le couple de serrage (40 ± 3 Nm)

Procédure à suivre :

- Contre-serrer la broche au niveau du méplat à l'aide d'une clé à fourche (surplat 7).
- Desserrer le centrage avec précaution en utilisant une clé à fourche adaptée (surplat 5,5) afin de ne pas endommager le filetage de la broche.
- Dévisser le centrage.
- Démontez le support de joint avec le joint de siège.
- Installer le nouveau support de joint et le nouveau joint de siège dans la broche.
- Appliquer de la colle (Loctite 640) sur le filetage de la broche.
- Visser le centrage et le serrer avec une clé à fourche adaptée (surplat 5,5).



Respecter le couple de serrage (40 ± 3 Nm) !

11.1.3. Monter l'actionneur sur le boîtier de vanne



AVERTISSEMENT !

Risque de blessures dû à la mise en marche involontaire de l'installation et au redémarrage non contrôlé !

- Empêcher tout actionnement involontaire de l'installation.
- Garantir un redémarrage contrôlé après le montage.



DANGER !

Risque d'explosion dû à de mauvais lubrifiants !

Un lubrifiant non approprié peut encrasser le fluide. En cas d'applications faisant usage d'oxygène, il existe alors un risque d'explosion.

- Utiliser uniquement des lubrifiants homologués pour les applications spécifiques comme par ex. celles faisant usage d'oxygène ou les applications d'analyse.

→ Avant de remonter l'actionneur, lubrifier le filet du tuyau (par ex. de pâte Klüber UH1 96-402 de la société Klüber).

→ Contrôler le joint graphite et le remplacer si nécessaire.

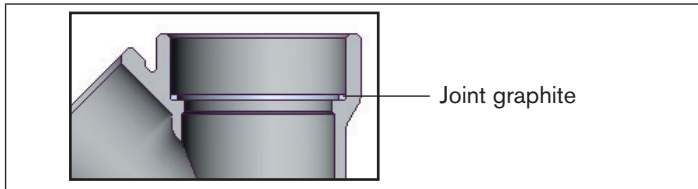


Fig. 8 : Joint graphite

→ Avec la fonction de commande A : Lorsque l'actionneur est vissé, il convient d'appliquer de l'air comprimé (5,5 bar) au raccord d'air de commande pour que le disque pendulaire se soulève du siège de vanne et ne soit pas endommagé.



AVERTISSEMENT !

Risque de blessure dû à des appareils endommagés !

L'appareil peut être endommagé par des travaux de montage avec un outil inapproprié.

- Utiliser une clé plate pour démonter l'actionneur du boîtier de vanne, en aucun cas une clé à tubes.

Le filetage de la broche peut être endommagé par un couple de serrage trop fort.

- Respecter le couple de serrage (40 ± 3 Nm)

→ Visser l'actionneur dans le boîtier de vanne.



Respecter le couple de serrage (40 ± 3 Nm) !



Si après installation, la position du raccord d'air de commande s'avérait gênante pour le montage du flexible, il est possible d'aligner celui-ci en continu en tournant l'actionneur de 360°.

12. PANNES

Panne	Dépannage
L'actionneur ne commute pas.	Pression de commande trop faible. → Voir pression indiquée sur la plaque signalétique.
	Pression de fluide trop élevée. → Voir pression indiquée sur la plaque signalétique.
	Sens du débit inversé. → Voir identification sur la plaque signalétique.
La vanne n'est pas étanche.	Impuretés entre le joint et le siège de vanne. → Monter un panier.
	Joint de siège usé. → Monter un nouveau disque pendulaire.
	Joint de siège endommagé, par ex. par des corps étrangers, des copeaux ou similaire. → Monter un nouveau disque pendulaire.
	Sens du débit inversé. → Voir identification sur la plaque signalétique.
	Pression de commande trop faible. → Voir pression indiquée sur la plaque signalétique.
	Pression de fluide trop élevée. → Voir pression indiquée sur la plaque signalétique.
La vanne fuit au niveau de l'alésage de purge.	Joint de broche usé. → Remplacer l'actionneur.

Tab. 1 : Pannes

13. PIÈCES DE RECHANGE



ATTENTION !

Risque de blessures, de dommages matériels dus à de mauvaises pièces !

De mauvais accessoires ou des pièces de rechange inadaptées peuvent provoquer des blessures et endommager l'appareil ou son environnement.

- Utiliser uniquement des accessoires et des pièces de rechange d'origine de la société Bürkert.

Un jeu de vannes est disponible sous la référence 220053 comme pièce de rechange pour la vanne à siège incliné type 2000 INOX. Celui-ci comprend :

- **Le disque pendulaire :**
composé de
 - support de joint
 - joint de siège
 - centrage
- **Le joint graphite**
Ce dernier peut être commandé séparément

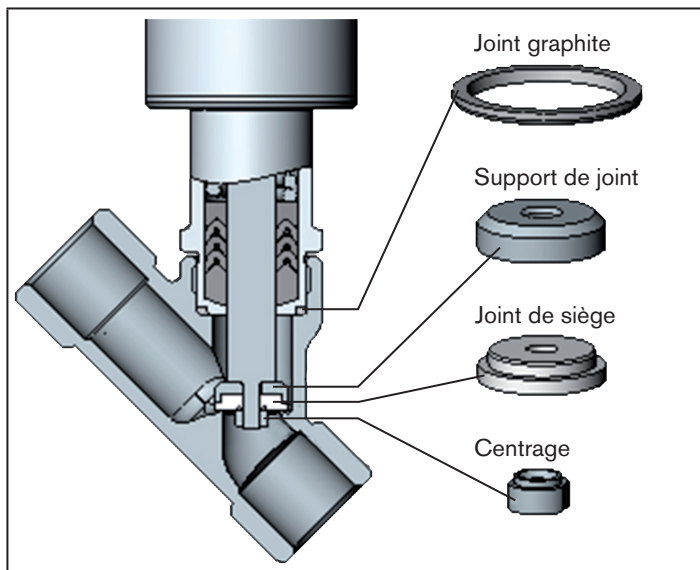


Fig. 9 : Jeu de vannes

14. TRANSPORT, STOCKAGE, ÉLIMINATION

REMARQUE !

Domages dus au transport !

Les appareils insuffisamment protégés peuvent être endommagés pendant le transport.

- Transporter l'appareil à l'abri de l'humidité et des impuretés et dans un emballage résistant aux chocs.
- Éviter le dépassement vers le haut ou le bas de la température de stockage admissible.

Un mauvais stockage peut endommager l'appareil.

- Stocker l'appareil au sec et à l'abri des poussières !
- Température de stockage : -20 °C ... +65 °C

Domages à l'environnement causés par des pièces d'appareil contaminées par des fluides.

- Éliminer l'appareil et l'emballage dans le respect de l'environnement !
- Respecter les prescriptions en matière d'élimination des déchets et de protection de l'environnement en vigueur.

www.burkert.com