

Type ARD

## Technical specification

### Code of protection categories

ATEX: II 2GD, Ex d IIC Gb, Ex tb IIIC Db IP6X

IECEX: Ex d IIC Gb, Ex tb IIIC Db IP6X

### Compliance standards

ATEX: EN 60079-0, EN60079-31, EN 60079-1

IECEX: IEC 60079-0, IEC 60079-1, IEC 60079-7, IEC 61241-1

### Certificate details

ATEX: Sira 99ATEX1195U

IECEX: IECEX SIR 05.0042U

### Temperature

The item is classified as a component and therefore metallic products are not given an operating temperature range

### Ingress Protection (IP):

Independently tested to IP66 / IP68 when fitted in accordance to manufacturer's instructions

### Part number:

Please refer to page 10 for part numbering system

## Features

- International Ex approvals
- IP64, CSA Enclosure Type (NEMA) 3
- Available in brass, stainless steel and aluminium
- Various threadforms available

## Benefits

- Provides means of connection where space is limited
- Can be used to change size/threadform of connection device
- Maintains Ex certification while matching threadforms

## Materials

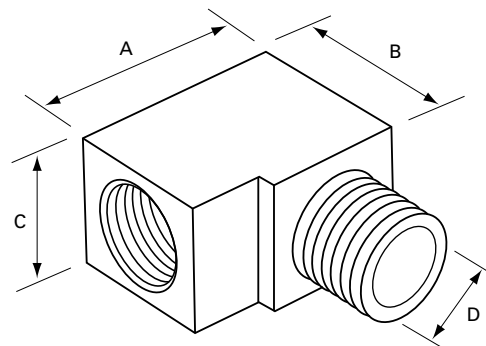
- Brass CZ121
- 316 stainless steel
- Aluminium

## Threadforms

- Metric
- NPT
- NPSM
- PG
- ISO Pipe (BSP)
- ET

## Plating options

- Electroless nickel
- Zinc
- Others on application



## Dimensions of Metric Versions

Size	Bore (D)	Male length	Height (A)	Length (B)	Width (C)
M16 x M16	10.00	16.00	33.00	27.00	23.00
M20 x M20	14.00	16.00	39.00	29.00	25.40
M25 x M25	18.00	16.00	46.00	35.00	32.00
M32 x M32	24.00	16.00	51.00	44.00	40.00
M40 x M40	32.00	16.00	61.00	52.00	48.00
M50 x M50	41.00	16.00	73.00	65.00	60.00
M63 x M63	53.00	16.00	86.00	77.00	73.00
M75 x M75	64.00	16.00	99.00	94.00	87.00