

Model 72



- Sizes 3/8" to 8"
- Iron, bronze, carbon steel or stainless steel
- Threaded or flanged

FEATURES

- Quick open cover—no tools needed
- Heavy wall construction
- Large capacity baskets
- Machined basket seat
- Threaded drain
- Perforated or mesh 316 stainless steel basket
- Mounting feet for stable installation for flanged units 2" and larger
- American Bureau of Shipping (ABS) Type Approved for ship designers, builders and owners



OPTIONS

- Basket perforations from 1/32" to 1/2"
- Basket mesh from 20 to 400
- MONEL® baskets
- Viton®, PTFE encapsulated or EPDM seals
- Vent valves
- Gauge/vent taps - 1/4" NPT
- Magnetic basket inserts
- Pressure differential gauge and switch
- Flange according to DIN EN

MONEL® is a registered trademark of Special Metals Corporation group of Companies.
Viton® is a registered trademark of E. I. du Pont de Nemours and company.

The Eaton Model 72 has been the industry standard simplex basket strainer for more than 75 years. It is perfect for industrial and commercial applications in which the line can be temporarily shut down for strainer basket cleaning or changeout.

A reason for its popularity is the unusually large basket capacity. The free straining area with a perforated basket is a minimum of six times the cross sectional pipe area. No tools are needed to open the cover. The quick opening, swinging yoke can be disassembled and the basket removed in seconds. On sizes 4" and larger, a special cover clamp is provided to

distribute the seating pressure and to ensure positive seating of the cover.

Another feature is a threaded drain on every size strainer (fitted with a yoke quick-closer). Sizes 2" and larger are equipped with legs that bolt to the floor for rock solid installation.

Wall thicknesses are exceptionally heavy. The basket seats are precision machined to give a tight seal and prevent any material from bypassing the basket. The Eaton Model 72 simplex basket strainer is a top quality, heavy-duty unit designed to stand up to the most demanding of applications.

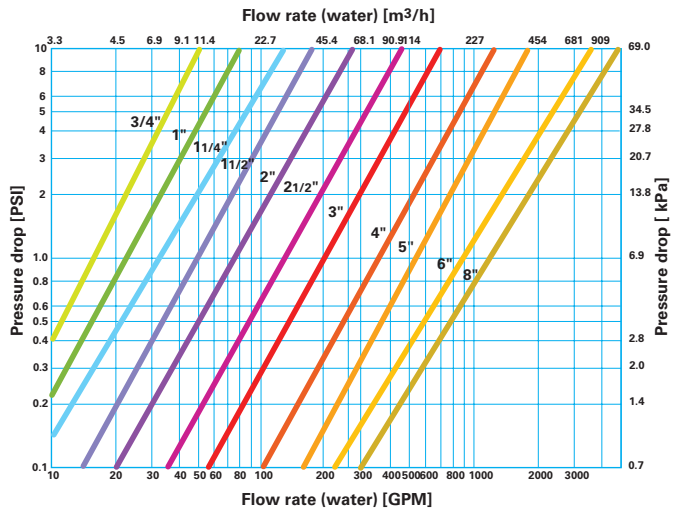
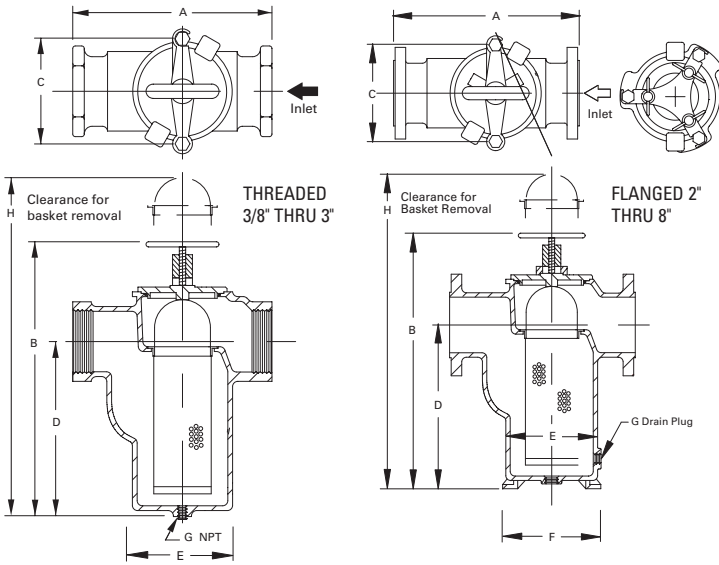
Model 72 simplex

Size	Material	End connection	Seals	Pressure rating
3/8" to 3"	Iron and bronze	Threaded	Buna-N®	13.8 bar @ 38 °C
1" To 3"	Carbon steel	Threaded	Buna-N	13.8 bar @ 38 °C
1" To 3"	Stainless steel	Threaded	Viton	13.8 bar @ 38 °C
1" To 8"	Iron	Flanged 125#	Buna-N	13.8 bar @ 38 °C
1" To 8"	Bronze	Flanged 150#	Buna-N	13.8 bar @ 38 °C
1" To 8"	Carbon steel	Flanged 150#	Buna-N	13.8 bar @ 38 °C
1" To 8"	Stainless steel	Flanged 150#	Viton	13.8 bar @ 38 °C



Powering Business Worldwide

Model 72 Simplex Basket Strainer



Threaded Model 72 dimensions (in/mm)

Dimensions and weights are for reference only. Contact Eaton for certified drawings.

Size	A	B	C	D	E	F	G	H	----- Net Wt (kg) -----			
									Carbon Bronze	Steel	Iron	Stainless Steel
3/8"	4.00 / 102	6.63 / 168	2.88 / 73	4.00 / 102	2.38 / 60	-	3/8"	11 / 279	1.8	-	1.8	-
1/2"	4.00 / 102	6.63 / 168	2.88 / 73	4.00 / 102	2.38 / 60	-	3/8"	11 / 279	1.8	-	1.8	-
3/4"	5.38 / 137	8.38 / 213	4.00 / 102	5.00 / 127	3.06 / 78	-	1/2"	13 / 330	3.6	-	3.2	-
1"	5.38 / 137	8.38 / 213	4.00 / 102	5.00 / 127	3.06 / 78	-	1/2"	13 / 330	3.6	3.2	3.2	3.2
1-1/4"	6.75 / 172	9.88 / 251	4.88 / 124	5.88 / 149	3.88 / 99	-	1/2"	14 / 356	6	-	6	-
1-1/2"	7.25 / 184	11.00 / 279	4.88 / 124	7.00 / 178	4.00 / 102	-	3/4"	16 / 406	7	7	7	7.3
2"	8.75 / 222	13.38 / 340	6.75 / 172	7.63 / 194	5.13 / 130	-	1-1/4"	21 / 533	15	16	13	14
2-1/2"	10.38 / 264	14.88 / 378	8.00 / 203	8.63 / 219	6.38 / 162	-	1-1/2"	26 / 660	22	24	19	23
3"	11.50 / 292	17.75 / 468	8.00 / 203	11.38 / 298	6.63 / 168	-	1-1/2"	28 / 711	27	27	23	27

Mod. 72 C_v factors*

Size	Value	Size	Value
3/8"	15.0	2-1/2"	125
1/2"	15.0	3"	180
3/4"	15.0	4"	350
1"	22.5	5"	511
1-1/4"	31.5	6"	900
1-1/2"	46.0	8"	1400
2"	73		

* For water with clean, perforated basket

Flanged Model 72 dimensions (in/mm)

Dimensions and weights are for reference only. Contact Eaton for certified drawings.

Size	A	B	C	D	E	F	G	H	----- Net Wt (kg) -----			
									Bronze	Carbon Steel	Iron	Stainless Steel
1"	7.63 / 194	8.38 / 213	4.00 / 102	5.00 / 127	-	-	1/2"	13.00 / 330	7	4	4	4
1 1/2"	10.25 / 260	11.00 / 279	4.88 / 124	7.00 / 178	-	-	3/4"	16.00 / 406	14	7.7	7.7	7.7
2"	10.50 / 268	13.75 / 349	6.75 / 172	7.63 / 194	5.13 / 130	6.25 / 159	3/8"	20.00 / 508	22.3	16	17	16
2 1/2"	11.63 / 295	15.63 / 397	8.00 / 203	8.88 / 226	6.38 / 162	7.63 / 194	3/8"	23.00 / 584	29.1	27	25	29
3"	13.13 / 334	18.00 / 457	8.00 / 203	10.88 / 276	6.50 / 165	8.00 / 203	3/8"	27.00 / 686	38.6	-	35	-
3"	13.13 / 334	18.75 / 476	7.94 / 202	12.00 / 305	6.50 / 165	8.00 / 203	1/2"	27.00 / 686	-	39	-	39
4"	16.75 / 425	19.88 / 505	10.75 / 273	10.75 / 273	9.63 / 245	11.38 / 289	1/2"	30.00 / 762	63.6	-	55	-
4"	17.25 / 438	19.88 / 505	10.69 / 272	10.69 / 272	9.25 / 235	11.38 / 289	1/2"	30.00 / 762	-	59	-	59
5"	18.13 / 461	25.13 / 638	10.75 / 273	15.25 / 387	10.00 / 254	11.38 / 289	1/2"	41.00 / 1,041	82.7	-	775	-
6"	19.63 / 499	28.50 / 724	10.69 / 272	18.38 / 467	10.00 / 254	11.38 / 289	1/2"	46.00 / 1,168	122.7	107	91	107
8"	27.00 / 686	40.50 / 1,029	-	27.00 / 686	13.75 / 349	17.50 / 445	1/2**	60.00 / 1,524	272.7	250	227	250

** For Iron, Drain "G" = 1-1/2" NPT

North America
44 Apple Street
Tinton Falls, NJ 07724
Toll Free: 800 656-3344
(North America only)
Tel: +1 732 212-4700

Greater China
No. 7, Lane 280,
Linhong Road
Changning District, 200335
Shanghai, P.R. China
Tel: +86 21 2899-3687

Europe/Africa/Middle East
Auf der Heide 2
53947 Nettersheim, Germany
Tel: +49 2486 809-0

Asia-Pacific
100G Pasir Panjang Road
#07-08 Interlocal Centre
Singapore 118523
Tel: +65 6825-1620

Friedensstraße 41
68804 Altlußheim, Germany
Tel: +49 6205 2094-0
An den Nahewiesen 24
55450 Langenlonsheim, Germany
Tel: +49 6704 204-0

For more information, please
email us at filtration@eaton.com
or visit www.eaton.com/filtration

© 2023 Eaton. All rights reserved. All trademarks and registered trademarks are the property of their respective owners. All information and recommendations appearing in this brochure concerning the use of products described herein are based on tests believed to be reliable. However, it is the user's responsibility to determine the suitability for his own use of such products. Since the actual use by others is beyond our control, no guarantee, expressed or implied, is made by Eaton as to the effects of such use or the results to be obtained. Eaton assumes no liability arising out of the use by others of such products. Nor is the information herein to be construed as absolutely complete, since additional information may be necessary or desirable when particular or exceptional conditions or circumstances exist or because of applicable laws or government regulations.