

## Data Sheet

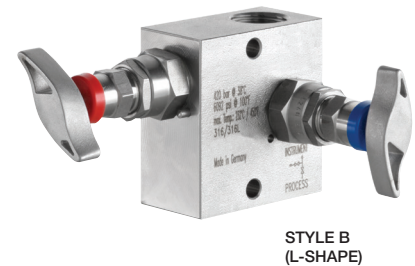
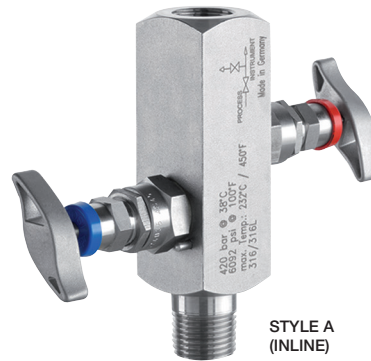
### Block and Bleed 2-Valve Manifolds - V02 Series

#### FEATURES

- Isolates and bleeds process from instrument assembly pressure for instrument maintenance
- 316L Stainless Steel construction
- Support mounting brackets available

#### TYPICAL USES

- Oil & Gas Industry
  - Upstream: Onshore/offshore production
  - Midstream: Transport, storage and natural gas compression
  - Downstream: Refineries and petrochemical industries
- Chemical Industry
- Power Plants
  - Conventional power plants
  - Nuclear power plants
  - Flue gas desulfurization plants
- Other Industries
  - Waste incineration plants
  - Seawater desalination plants
  - Steel mills
  - Cement plants



#### SPECIFICATIONS

Process Conn: Style A ½ NPTM  
Style B ½ NPTF  
Style C ½ NPTF

Instrument Conn: 1/2 NPTF

Construction: 316L Stainless Steel

Max Pressure

Rating (PTFE): 6092 psi at 140°F (60°C)

Max Temperature

Rating (PTFE): 392°F (200°C) at 1305 psi

#### COMPONENTS

#### MATERIAL

##### Wetted

Body	316L
Valve stem	316L
Needle tip	316Ti
Packing	PTFE up to 200 °C
Gland nut	316
Screw Plug*	316L

##### Non-Wetted

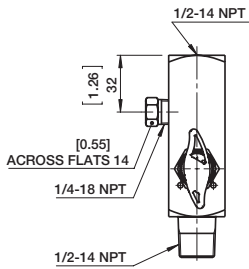
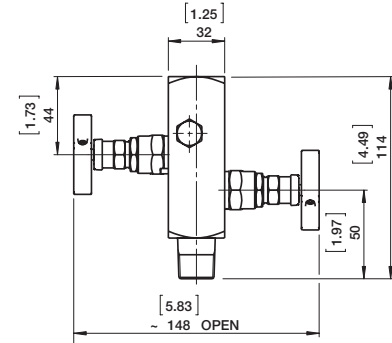
Bonnet	316
T-handle	Stainless Steel

\*Style B, C only

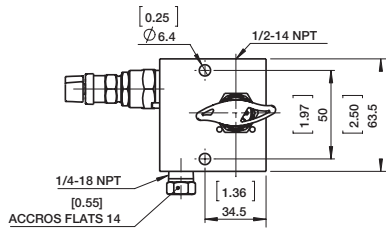
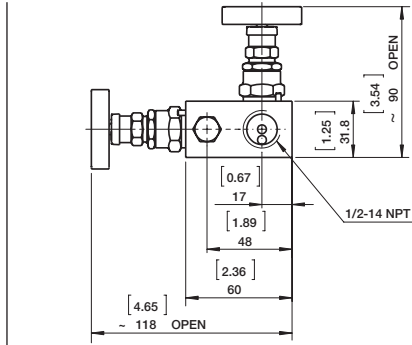
- Color-coded dust caps prevent dust ingress and identifies handle function
- PTFE Packing (other materials available upon request)
- Stem with cold rolled surface, back seat and non-rotating needle tip
- Supplied with wetted parts according to NACE MR0175/MR0103 (CD-5 Certificate)
- Material traceability reports available per EN 10204 3.1

## Block and Bleed 2-Valve Manifolds - V02 Series

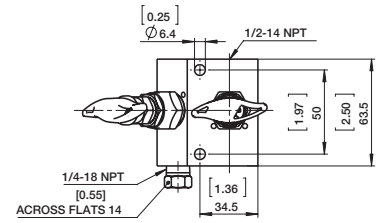
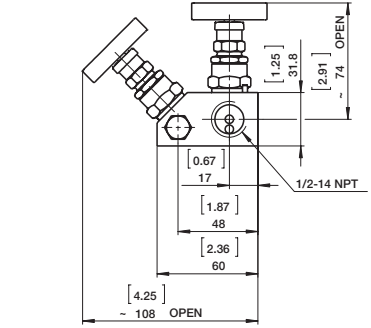
### DIMENSIONS (dimensions in [ ] are decimal inches)



Style A (In-line)



Style B (L-Shape)



Style C (Y-Shape)

### ORDERING CODE

Example: 04 V02 2V A SS 50 XC3

#### Process Connection

04-1/2 NPT Male (style A only) 04

50-1/2 NPT Female

#### Series Code

V02-Valve V02

#### Valves

2V-2 Valve 2V

#### Version

A-Style A (In-line) A

B-Style B (L-Shape)

C-Style C (Y-Shape)

#### Material

SS-316SS SS

#### Instrument Connection

50-1/2 NPT Female 50

#### Options

C3-Material Traceability Report Per EN 10204 3.1 XC3

HY-Hydrostatic Testing

6B-Cleaned for Oxygen Service

NH-Stainless Steel Tags

P7-Compliance with power piping ASME B31.1