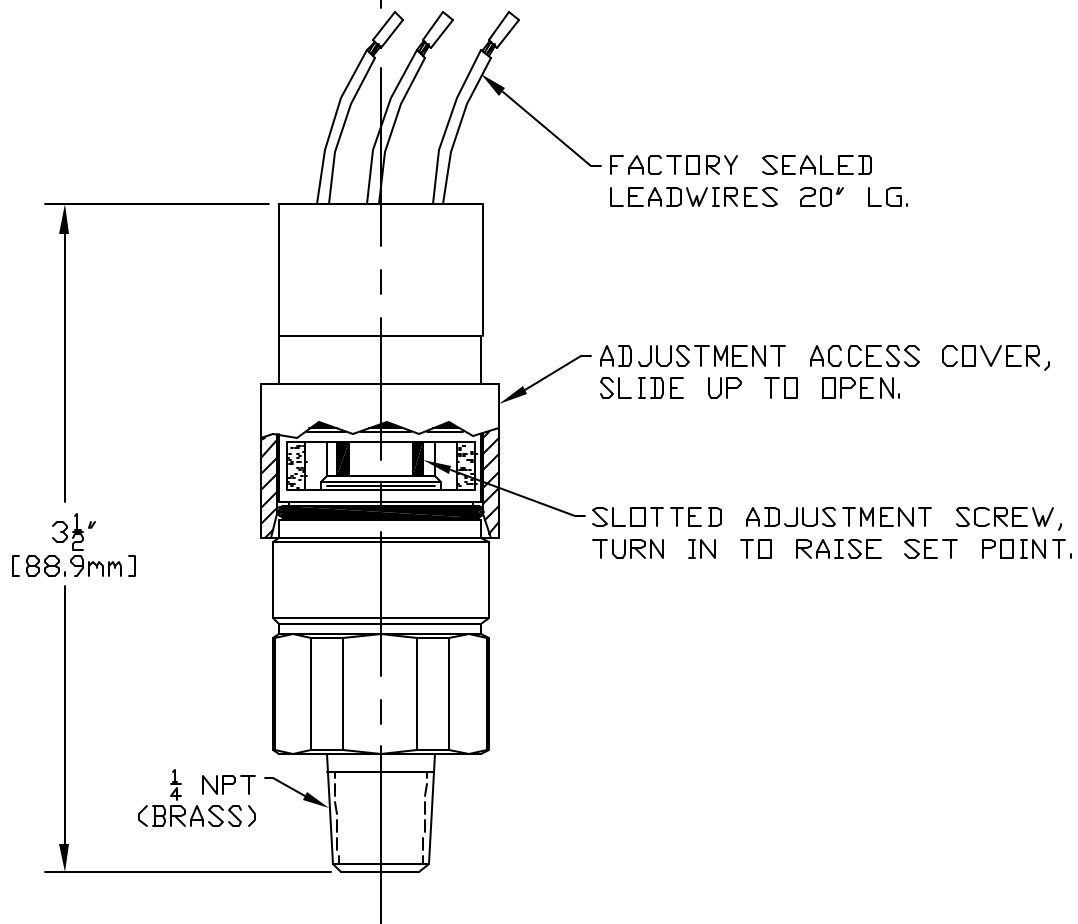


WIRE COLOR CODING
 BLUE ——— N.O.
 BLACK ——— N.C.
 VIOLET ——— COM.

MODEL NO.	ADJUSTABLE RANGE	
	psi	bar
10-D13	100 TO 1500	6.9 TO 103.4
10-D14	180 TO 3000	12.4 TO 206.8
10-D15	400 TO 4700	27.6 TO 324.1
10-D16	4000 TO 7500	275.8 TO 517.1



SPECIFICATIONS:
 UL RECOGNIZED, CSA CERTIFIED
 E/R: 5 AMPS 250 VAC


SYM	DESCRIPTION	DATE	DWN	APPD
L	CHANGED MPa TO bar. ECN#E0044	10-23-02	S.R.	H.N.
K	ADDED MODEL 16 ECN#C8580	2/4/00	AB	LK
J	REDRAWN, REV. RANGES PER ECN#C5565	5-10-96	P.W.	L.K.

REVISIONS

ORIGINAL DATE 2-26-91
DRWN PETER WEILER
CHKD A. BARTER
APPD L. KHATCHADORIAN

TITLE
 10-D
 SERIES
 (PISTON)

DF001D



UNITED ELECTRIC
 CONTROLS COMPANY
 WATERTOWN * MASSACHUSETTS

UNLESS OTHERWISE SPECIFIED
 DIMENSIONS ARE IN INCHES

DO NOT SCALE THIS DRAWING

DWG NO
 A-12864

SCALE FULL