



2/2-way valve for medium up to +140°C

- Normally closed or open
- Body material: Brass, Stainless steel
- Double spindle seal
- Compact design

Type 0262 can be combined with...



Type 6012/6014P

Pilot valve



Type 8640/8644

Valve Block



Type 8645

Valve Block



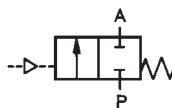
Type 8311

Pressure Sensor/Switch

The externally controlled valve is pneumatically operated. It consists of a diaphragm actuator and a 2-way valve body. The diaphragm actuator moves a spindle with valve disc against a spring and switches the valve. The spindle is designed glandless with double seal. The actuator body is made out of epoxy resin.

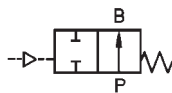
Circuit function A

2/2-way valve, externally controlled, normally closed by spring operation with pilot valve



Circuit Function B

2/2-way valve, externally controlled, normally opened by spring, operation with pilot valve

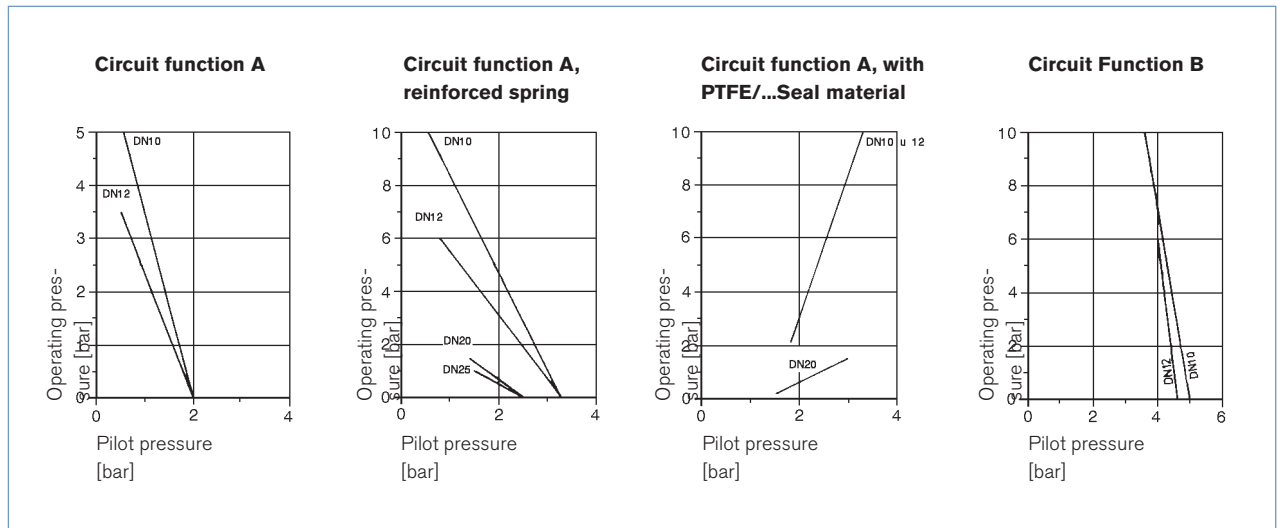


Technical data	
Body material	Brass, stainless steel
Inner part valve	Stainless steel
Actuator	Epoxy resin
Seal material	NBR, FKM, PTFE/FKM, EPDM, PTFE/EPDM
Medium	neutral medium (e.g. compressed air, town gas, water, hydraulic oil) per-solution, oxygen, hot air oil and fat-free medium e.g. hot water, alkaline washing and bleaching lyes oil and fat-free medium, e.g. hot water and steam hot oils, hydrocarbonated water, aromatics and steam
Medium NBR	
Medium FKM	
Medium EPDM	
Medium PTFE/EPDM (PTFE seal with EPDM O-Ring)	
Medium PTFE/FKM (PTFE seal with FKM O-Ring)	
Viscosity	max. 100 mm ² /s
Medium temperature	
Medium NBR	-10 up to + 90 °C
Medium FKM	-10 up to +100 °C
Medium EPDM	-10 up to +100 °C
Medium PTFE/EPDM	-10 up to +140 °C
Medium PTFE/FKM	-10 up to +140 °C
Control medium	neutral gases and liquids, in particular air, water, hydraulic liquids up to max. +90 °C
Pilot pressure	see diagram
Ambient temperature	-10 up to +90 °C
Installation	As required, preferably with actuator upright
Flow rate	measured at +20°C, 1 bar pressure at valve inlet and free outlet
Flow rate Kv value water [m ³ /h]:	
Pressure values [bar]	Measured as overpressure to the atmospheric pressure
Response times [ms]:	Measured at valve outlet at 6 bar and +20°C.
Opening	Pressure relief 0 90%
Closing	Pressure drop 100 to 10%

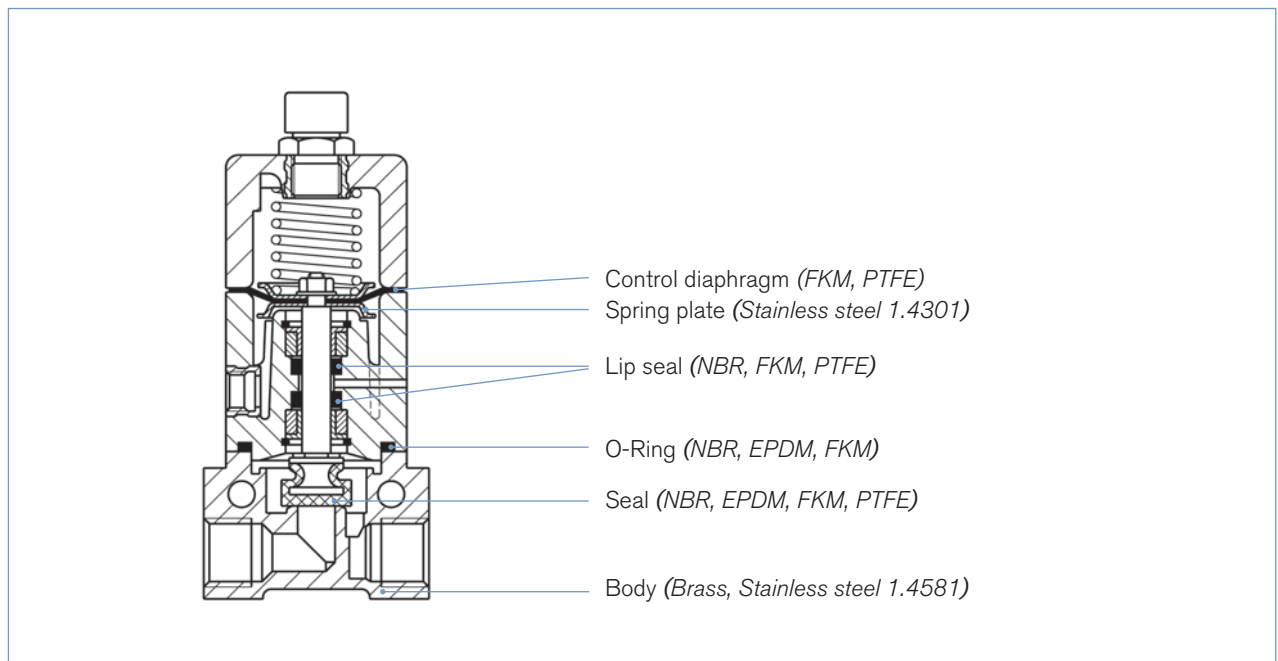
Technical data *continued*

Orifice [mm]	Kv value water [m ³ /h]	Port connection	Pressure range of circuit function			Weight [kg]
			A normal spring [bar]	A reinforced spring [bar]	B normal spring [bar]	
10	1.0	G 3/8	0 - 5	0 - 10	0 - 10	0.5
12	2.1	G 1/2	0 - 3.5	0 - 6	0 - 10	0.6
20	6.5	G 3/4	-	0 - 1.5	0 - 1.5	1.0
25	10.0	G 1	-	0 - 1	0 - 1	1.4

Operating pressure chart - pilot pressure



Material

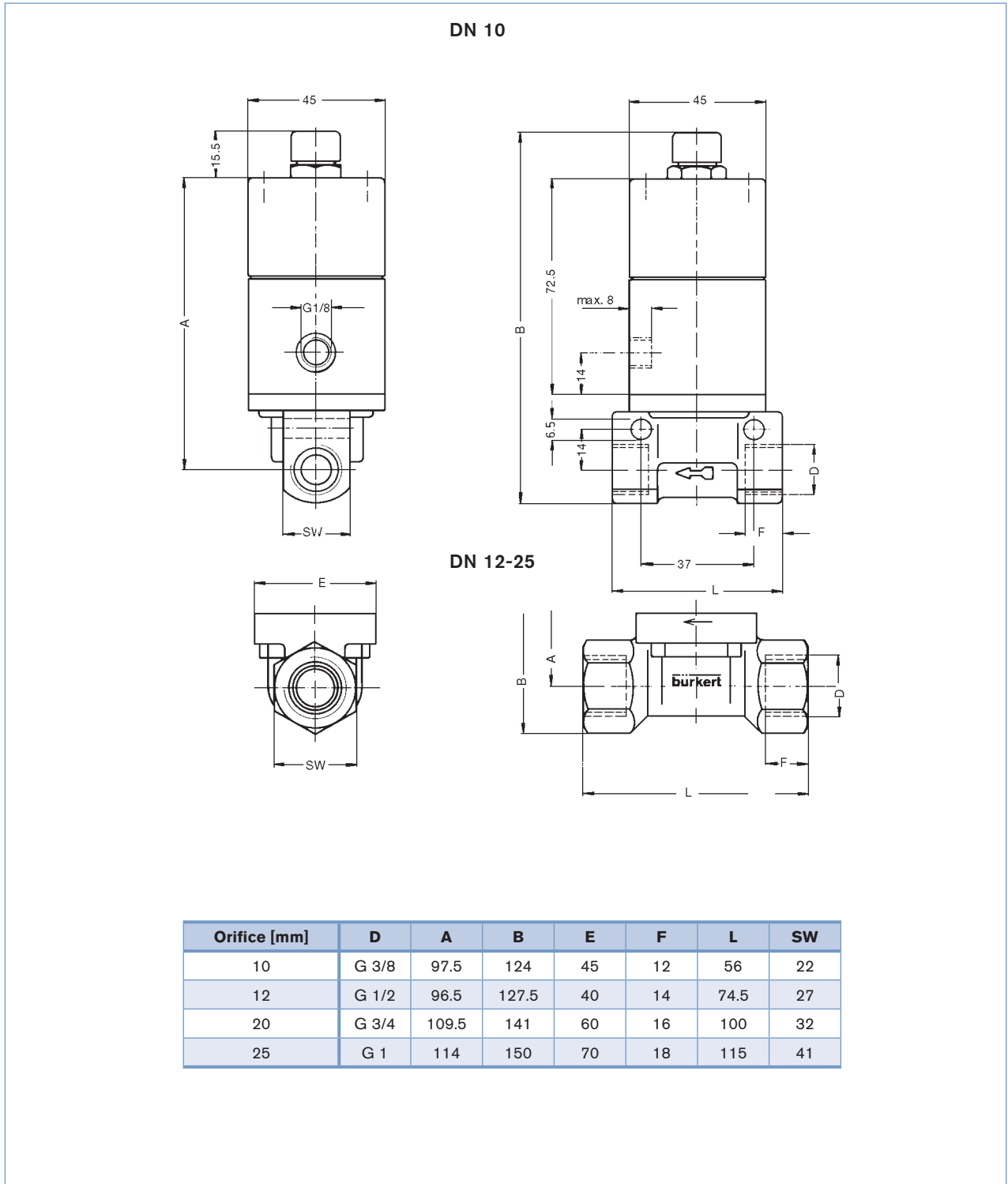


Ordering chart for valves (other versions on request)

Valves with threaded port connection

Circuit function	Orifice [mm]	Port connection	Kv value water [m ³ /h]	Spring	Pressure range [bar]	Seal material	Item no.
Brass body							
A	10	G 3/8	1.0	normal	0-5	EPDM	026 059
						FKM	026 257
						NBR	026 287
				reinforced	0-10	EPDM	027 400
						FKM	026 459
						NBR	027 643
	12	G 1/2	2.1	normal	0-3.5	PTFE/FKM	026 457
						EPDM	027 545
						FKM	026 088
				reinforced	0-6	NBR	027 734
						EPDM	026 079
						FKM	027 926
	20	G 3/4	6.5	reinforced	0-1.5	NBR	027 991
						PTFE/EPDM	026 200
						PTFE/FKM	028 004
25	G 1	10.0	reinforced	0-1	EPDM	028 211	
					FKM	028 046	
					NBR	028 072	
B	10	G 3/8	1.0	normal	0-10	EPDM	029 106
						FKM	028 410
						NBR	028 071
	12	G 1/2	2.1	normal	0-10	EPDM	026 812
						FKM	027 891
						NBR	026 290
	20	G 3/4	6.5	normal	0-1.5	EPDM	027 988
						FKM	026 715
						NBR	026 298
	25	G 1	10.0	reinforced	0-1	EPDM	028 557
						FKM	027 773
						NBR	027 639
Stainless steel body							
A	12	G 1/2	2.1	reinforced	0-6	EPDM	028 080
						PTFE/FKM	027 557

Dimensions [mm]



To find your nearest Bürkert facility, click on the orange box → www.burkert.com

In case of special application conditions,
please consult for advice.

Subject to alterations
© Christian Bürkert GmbH & Co. KG

1006/1_EU-en_00891616