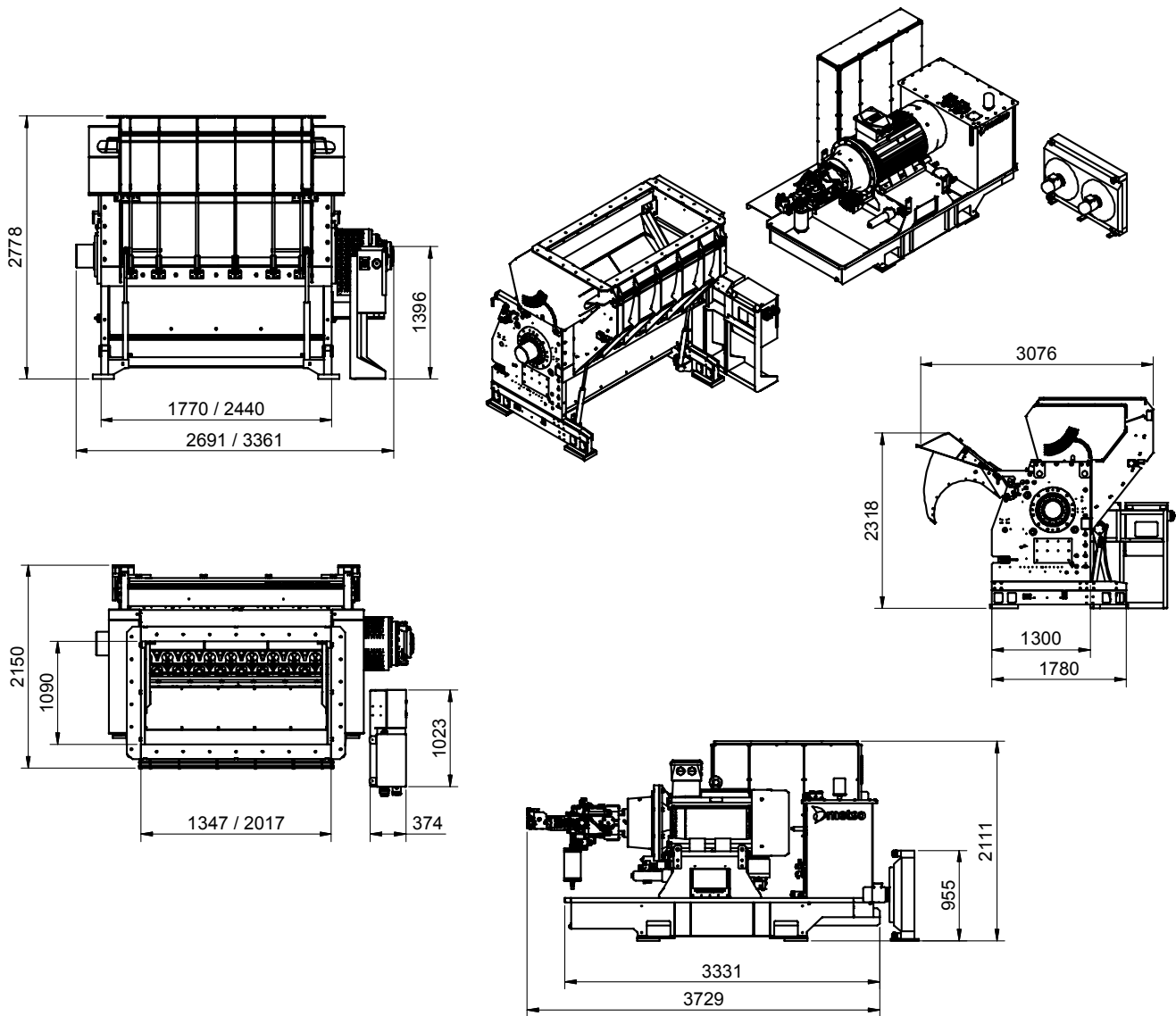


FineShredders from Metso Waste Recycling
M&J FineShred 1550/3550



M&J FineShred 1550/3550



SPECIFICATION		1550	3550
Overall dimensions with standard hopper (LxWxH)	mm	2150 x 2691 x 2778	2150 x 3361 x 2778
Weight (total included standard conveyor)	ton	14.0	18.0
Standard color		RAL 9002	RAL 9002
Assembly of knives on the knife holder		Bolted	Bolted

Knives info			
Number pr shaft	pcs	72	108
Number counter cut	pcs	46	70
WSC 40 W. Nr. 1.2379 / X155CrMoV121 (57 - 59 HRC)	mm	40 x 40 x 12	40 x 40 x 12
WSR 40 W. Nr. 1.2379 / X155CrMoV121 (57 - 59 HRC)	mm	40 x 40 x 12	40 x 40 x 12
WHC 40 Carbide (64 - 66 HRC) on tip	mm	40 x 40 x 12	40 x 40 x 12
WHR 40 Carbide (64 - 66 HRC) on tip	mm	40 x 40 x 12	40 x 40 x 12

Capacity per hour (Presorted. Guide values only.)		1550						3550			
Output size	mm	10	20	30	50	80	10	20	30	50	80
RDF	ton/hour	2.0	5.0	8.0	9.0	12.0	3.0	7.0	12.0	14.0	18.0

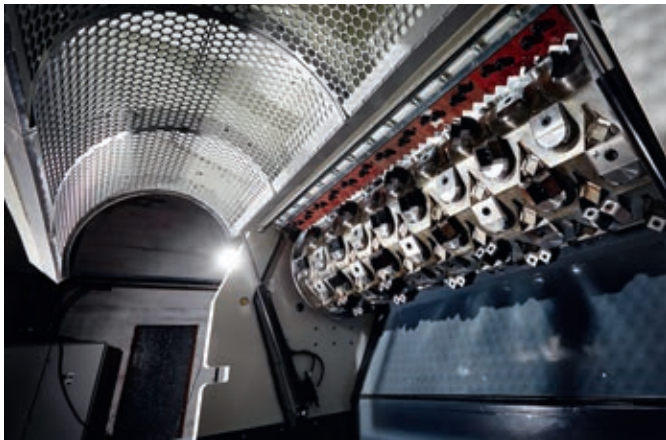
Features



M&J FineShred 1550/3550

Shafts		1550	3550
Number of shafts	pcs	1	1
Length / diameter	mm	1336 / 665	2014 / 665
Number of knives	pcs	72	108
Standard rotating speed	rpm	100-280	100-280

Power pack		1 x 200 kW	1 x 250 kW
Overall dimensions (LxWxH)	mm	3375 x 1560 x 1745	3310 x 1470 x 1770
Weight exclusive hydraulic oil	ton	2.5	3.7
Service area minimum recommended	mm	1000	1000
Cooling capacity	kW	50	60
Effect	kW	200	250
Drive principle		Hydrostatic transmission	Hydrostatic transmission



For more information, contact your local Metso Waste Recycling representative, or contact your dealer directly.

Metso Waste Recycling
Vejlevej 5
DK-8700 Horsens
Denmark
Tel: +45 7626 6400
Fax: +45 7626 6449
recycling.info.dk@metso.com

www.metso.com/recycling

We reserve the right to make changes and improvements without notice, "M&J FineShred 1550-3550". July 2017