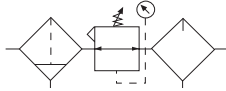


# Combination C28



B

Filters, Regulators, Lubricators

## Features

- Components Integrated into Single Unit
- Modern Design and Appearance
- Light Weight, Ready-to-Mount Assembly Comes Standard with Pressure Gauge and Modular T-Bracket / Joiner Assembly
- High Flow Capacity
- Quick-Disconnect Bowl / Bowl Guard

## Specifications

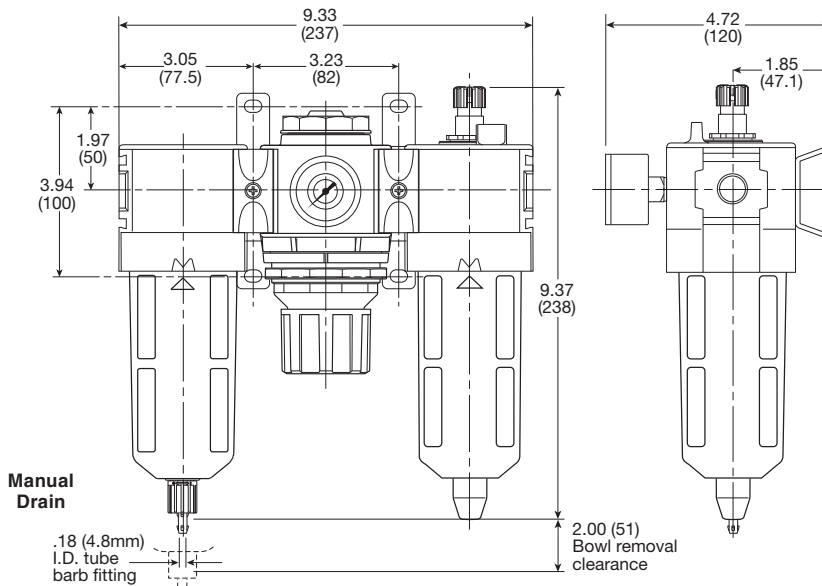
Flow Capacity*	3/8	90 SCFM (43 dm <sup>3</sup> /s, ANR)
	1/2	90 SCFM (43 dm <sup>3</sup> /s, ANR)
	3/4	110 SCFM (52 dm <sup>3</sup> /s, ANR)
Gauge Port (2)	NPT / BSPP-G	1/4
Maximum Supply Pressure	Plastic Bowl	150 PSIG (10.3 bar)
	Metal Bowl	250 PSIG (17.2 bar)
Operating Temperature	Plastic Bowl	-13° to 125°F (-25° to 52°C)
	Metal Bowl	-13° to 150°F (-25° to 65.5°C)
Port Size	NPT / BSPP-G	3/8, 1/2, 3/4
Standard Filtration	5 micron	
Weight	5.90 lb. (2.6 kg)	

\* Inlet pressure 145 PSIG (10 bar), Secondary pressure 91.3 PSIG (6.3 bar), 14.5 PSIG (1 bar) pressure drop.

“F” Series Filters, Type “A” 5 micron elements: All Wilkerson Type “A” 5 micron elements meet or exceed ISO Class 3 for maximum particle size and concentration of solid contaminants.

## Materials of Construction


Body	Aluminum	
Bonnet / Knob	Nylon / Acetal	
Bowls	Plastic Bowl	Polycarbonate
	Metal Bowl	Aluminum
Diaphragm Assembly	Nitrile / Zinc	
Filter Element	Polyethylene	
Seals	Plastic Bowl	Nitrile
	Metal Bowl	Nitrile
Sight Dome	Polycarbonate	
Sight Gauge	Metal Bowl	Polyamide (Nylon)
Springs	Main Regulating Valve	Steel
		Stainless Steel
Suggested Lubricant	Airline Oil F442001	
Valve	Brass / Nitrile / Acetal	



Inches (mm)

 = "Most Popular"

**Note: For Kits and Repair Parts, see individual pages for Filters, Regulators, and Lubricators.**

 <b>WARNING</b>
<p><b>Product rupture can cause serious injury.</b>  <b>Do not connect regulator to bottled gas.</b>  <b>Do not exceed maximum primary pressure rating.</b></p>

**CAUTION:**

**REGULATOR PRESSURE ADJUSTMENT** – The working range of knob adjustment is designed to permit outlet pressures within their full range. Pressure adjustment beyond this range is also possible because the knob is not a limiting device. This is a common characteristic of most industrial regulators, and limiting devices may be obtained only by special design.

For best performance, regulated pressure should always be set by increasing the pressure up to the desired setting.

**B**  
Filters, Regulators, Lubricators

**Ordering Information**

Model Type	Port Size	Plastic Bowl / Bowl Guard / With Gauge 0 to 125 PSI (0 to 8.6 bar)	Metal Bowl / Sight Gauge / With Gauge 0 to 125 PSI (0 to 8.6 bar)	Plastic Bowl / Bowl Guard / With Gauge & End Blocks 0 to 125 PSI (0 to 8.6 bar)
Manual Drain	3/8	C28-03-FKG0B	C28-03-FLG0B	C28-03-FKBGB
	1/2	C28-04-FKG0B	C28-04-FLG0B	C28-04-FKBGB
	3/4	C28-06-FKG0B	C28-06-FLG0B	C28-06-FKBGB
Automatic Drain	3/8	C28-03-FGG0B	C28-03-FHG0B	C28-03-FGBGB
	1/2	C28-04-FGG0B	C28-04-FHG0B	C28-04-FGBGB
	3/4	C28-06-FGG0B	C28-06-FHG0B	C28-06-FGBGB

**Options** - To order an option supplied with the unit model, add the appropriate coded suffix letter in the designated position of the model number.