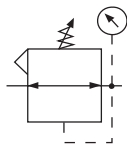


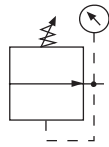
Regulator R08

B

Filters, Regulators, Lubricators



Relieving



Non-Relieving



Features

- Balanced Valve Design
- 2 Gauge Ports
- Serviceability and Ease of Maintenance
- Unique Flush-mounted Pressure Gauge
- Light Weight
- Modern Design and Appearance

Specifications

Flow Capacity*	1/4	68 SCFM (32 dm ³ /s, ANR)
Adjusting Range Pressure		0 to 30 PSIG (0 to 2 bar)
		0 to 60 PSIG (0 to 4 bar)
		0 to 125 PSIG (0 to 8 bar)
		0 to 232 PSIG (0 to 16 bar)
Gauge Port (2 ea.)**	NPT / BSPP-G	1/8
Maximum Supply Pressure		300 PSIG (20.7 bar)
Operating Temperature†		-4° to 150°F (-20° to 65.5°C)
Port Size	NPT / BSPP-G	1/4
Weight		0.37 lb. (0.17 kg)

* Inlet pressure 145 psig (10 bar). Secondary pressure 91.3 psig (6.3 bar) and 14.5 psig (1 bar) pressure drop.

** Non-gauge option only.

† Units with square gauges: 5°F to 150°F (-15°C to 65.5°C)

Materials of Construction

Adjustment Knob	Acetal
Body	Aluminum
Body Cap	ABS
Bonnet	PBT
Diaphragm Assembly	Brass / Nitrile
Panel Nut	Acetal
Seals	Nitrile
Springs	Steel
Valve Assembly	Brass / Nitrile

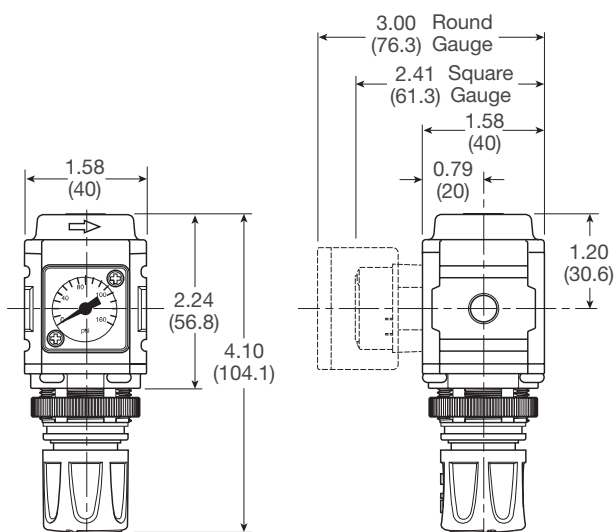
⚠ WARNING

**Product rupture can cause serious injury.
Do not connect regulator to bottled gas.
Do not exceed maximum primary pressure rating.**

CAUTION:

REGULATOR PRESSURE ADJUSTMENT – The working range of knob adjustment is designed to permit outlet pressures within their full range. Pressure adjustment beyond this range is also possible because the knob is not a limiting device. This is a common characteristic of most industrial regulators, and limiting devices may be obtained only by special design.

For best performance, regulated pressure should always be set by increasing the pressure up to the desired setting.



Inches (mm)

NOTE: 1.20 in. (30mm) hole required for panel nut mounting.

= "Most Popular"

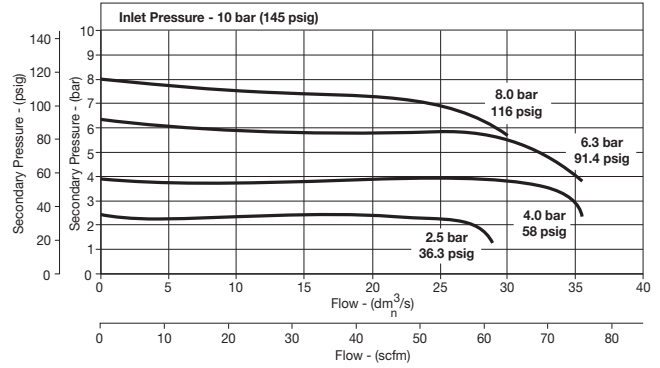
Replacement Kits

- Diaphragm Assembly –
 - Non-relieving GRP-96-726B
 - Relieving GRP-96-725B
- Spring, Regulating –
 - 0 to 125 PSIG (0 to 8.6 bar) GRP-96-717B

Accessories

- Adjusting Knob RRP-16-005-000
- Panel Mount Nut –
 - Aluminum RPA-96-733
 - Plastic RPA-96-734
- Pressure Gauge –
 - Flush Mounted –
 - 0 to 150 PSIG K4511SCR160
 - 0 to 60 PSIG K4511SCR060
 - 0 to 4 bar K4511SCR04B
 - 0 to 11 bar K4511SCR11B
 - Square with adapter kit
 - 0-4 bar P6G-PR10040
 - 0-11 bar P6G-PR10110
 - 0-60 PSIG P6G-PR90060
 - 0-160 PSIG P6G-PR90160
 - 0 to 60 PSIG (0 to 4.1 bar),
 - 1-1/2" Dial Face, 1/8 NPT, CBM K4515N18060
 - 0 to 160 PSIG (0 to 11.0 bar),
 - 1-1/2" Dial Face, 1/8 NPT, CBM K4515N18160
- Tamper Resistant Kit RPA-96-735
- Tamperproof Lock and Cover Kit
(lock not included) RPA-96-736
- Wall Mounting Bracket –
 - C-Type GPA-97-010
 - L-Type GRP-96-739
 - T-Type GPA-96-737

R08 1/4" Regulator



B
Filters, Regulators, Lubricators

Ordering Information

Model Type	Port Size	With Gauge 0 to 125 PSIG (0 to 8.6 bar)	With Gauge 0 to 30 PSIG (0 to 2.1 bar)	With Gauge 0 to 60 PSIG (0 to 4.1 bar)	Without Gauge 0 to 125 PSIG (0 to 8.6 bar)
Relieving	1/4	R08-02-F0G0B	R08-02-C0G0B	R08-02-D0G0B	R08-02-F000B

Options - To order an option supplied with the unit model, add the appropriate coded suffix letter in the designated position of the model number.