

## HAZARDOUS AREAMASTER™ GENERATION 2 LED

- Three lumen outputs provide up to 19,500 lumens.
- Choice of optics for optimal light distribution in a variety of applications.
- Separate field wiring compartment with screw terminal block for easy and secure connection (can accept UL/CSA 26-10AWG).
- Two 3/4" NPT entries provided.
- Yoke bracket is designed to accommodate traditional Areamaster brackets and slipfitters for easy retrofit.
- Choice of color temperature (CCT); 5000K cool white or 3000K warm white.
- Rugged and compact housing with superior thermal design translates to long luminaire life.
- Heavy duty, high temperature silicone rubber gaskets.
- Thermal shock and impact resistant clear or frosted glass lens.
- Standard 6KV surge protection.
- Captive fasteners secure one piece lens.
- Field replaceable LED driver and lens cover.

### SUITABLE LOCATIONS

- Enclosed and gasketed fixtures suitable for use in:
  - A wide range of industrial, chemical processing and other areas where flammable gases and vapors are present, for example
  - Oil and Gas Refineries
  - Petrochemical Plants
  - Foundries
  - Drilling Rigs
  - Pulp and Paper Mills
  - Food and Beverage Processing Facilities
  - Loading Docks
  - Power Plants
  - Water and Wastewater Treatment Facilities
  - Other areas where corrosive, wet, dirty and tough environments are a problem
- IP66/IP67, Type 4X, marine and wet locations
- Locations requiring dependable, consistent lighting in extreme hot/cold temperature environments. -40 °C to +65 °C (-40 °F to +149 °F) ambient temperature range

### STANDARD MATERIALS

- Housing and lens door: copperfree (4/10 of 1% max.) aluminum
- Gaskets: silicone rubber
- Yoke: zinc plated HR steel
- Bolts: stainless steel
- Close up plugs: (1) aluminum provided
- Guard and safety cable: stainless steel
- Visor: Aluminum

### STANDARD FINISHES

- Housing, lens cover and yoke mount: architectural bronze polyester

### OPTIONS

- Improved safety cable design with multiple retention points, purchase separately
- Guard and visor available, purchase separately
- Slip-fitters and mounting brackets available for easy pole or wall mounting
- 10KV Surge Protection
- Metric M20 thread adapter

### RELATED PRODUCTS

- Round Tapered Steel Poles
- Hinged Steel Poled
- Square Tapered Steel Poles
- Square Steel Poles
- Floodlight Mounting Brackets

### NEC/CEC RATINGS

- Class I, Division 2, Groups A, B, C, D
- Class I, Zone 2 Group IIC
- Class II, Division 1 and 2, Groups E, F, G
- Class III
- Zone 20 and 21 Group IIIC
- Zone 22, Group IIIB
- Simultaneous Exposure
- Marine Outside Type (Salt Water) for USA ONLY
- Wet Locations
- Type 3R, 4, 4X, IP66/67
- cCSAus: 164460 Certificate Number: 70073611

### ATEX/IECEx CERTIFICATIONS AND COMPLIANCES

- Certification Type: Areamaster Gen 2
  - Gas: Zone 2
    - Conforming to ATEX 2014/34/EU: II 3 G
    - Type of Protection: Ex tc IIC Gc
    - Temperature Class: T5 to T3
  - Dust: Zone 22
    - Conforming to ATEX 2014/34/EU: II 3 D
    - Type of Protection: Ex tc IIIC Dc
    - Surface Temperature: +85°C to +100°C (+185°F to +212°F)
- Ambient Temperature: -40°C up to +65°C (-40°F up to +268°F)
- EU Declaration of Conformity: 50317
- ATEX Certificate: SIRA 17ATEX3241
- IECEx Certificate: IECEx SIR 17.0079
- Index of Protection according EN/IEC 60529: IP66
- Impact Resistance (shock): IK10
- Photobiological Safety, IEC 62778 and IEC 62471: RG0

### DESIGNLIGHTS™ CONSORTIUM

- All models

APPLETON™

For product information:  
www.appletonelec.com  
1.800.621.1506

  
EMERSON™

CONSIDER IT SOLVED.™

## PRODUCT ORDERING GUIDE | AREAMASTER GENERATION 2 LED

**AMLG**  
Series:  
AMLG: Areamaster  
2 LED

**LZ**  
Lumen Level ④:  
L6 - 9K  
L7 - 15K  
L8 - 19K

**C**  
Color Temp CCT:  
C - 5000K  
W - 3000K ①

**G**  
Diffusion:  
G - Clear Glass  
F - Frosted Glass ②  
D - Diffused Polycarbonate ⑦

**Z**  
Beam Spread:  
6 - 7x7 (non-optic)  
7 - 7x6

**BU**  
Voltage:  
BU - 120-277 Vac  
50/60 Hz,  
170-300Vdc  
BH - 347-480Vac  
50/60 Hz ⑧

**S**  
Options:  
F - Fusing ③  
S - 10 KV Surge Protection ⑥  
M - M20 Metric

① 3000K CCT (warm) is not available with NEMA 7x7 light pattern

② All lumen values are typical (tolerance +/-10%).

⑦ Diffused polycarbonate available for NEC/CEC only.

② Frosted Glass is only available with NEMA 7x7 light pattern

⑧ BH voltage available for NEC/CEC only.

③ Use of fuse voids Marine rating. Fusing not available for NEC/CEC.

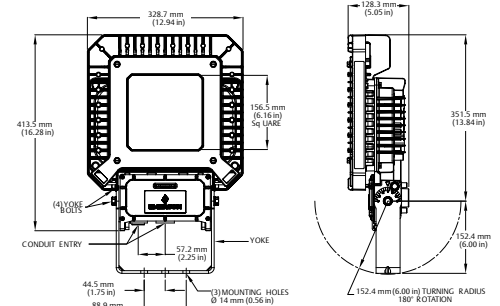
⑥ 10 KV Surge Protection available for NEC/CEC only.

	AMLGL6	AMLGL7	AMLGL8
Equivalent to HPS/PSMH	175-250 Watt	250-400 Watt	400-750 Watt
Input Power	70 Watt	110 Watt	150 Watt
Voltage Range	BU	120-277 Vac, 50/60 Hz, 170-300 VDC	
	BH ⑧	347-480 Vac, 50/60 Hz	
Luminous Flux (Efficacy) ① for 5000K Clear	7x7	9900 (141)	15300 (139)
	7x6	9000 (129)	14200 (129)
Correlated Color Temperature (CCT)	3000K/5000K		
Color Rendering Index (CRI)	80/70		
Ambient Temperature	-40 °C to +65 °C (-40 °F to +149 °F)		
T Rating NEC/CEC Class I Division 2	T4A @ +65 °C (+149 °F)	T3C @ +65 °C (+149 °F)	T3A @ +65 °C (+149 °F)
T Rating ATEX/IECEx Zone 2	T4 @ +65 °C (+149 °F)	T3 @ +65 °C (+149 °F)	T3 @ +65 °C (+149 °F)
Luminaire Weight	9.8 kg (22lb)		
Standard Materials	Housing: copperfree aluminum		
	Finish: architectural bronze polyester		
	Lens: thermal shock- and impact-resistant glass or optional frosted glass		
Lifetime	>100,000 hours @ +40°C (+104°F) ambient temperature		
	>60,000 hours @ +65°C (+149°F) ambient temperature		
Warranty	5 years standard; 10 years for models with secondary optic and extra surge protection		

① All values typical +/-10% .

⑧ BH voltage available for NEC/CEC only

Luminaire Category	Image	Effective Projected Area (EPA) = FPA * DC m <sup>2</sup> (ft <sup>2</sup> )
90° to Ground-Worst Case Mounting		0.39 (1.28)
45° to Ground-Standard Mounting		0.55 (1.82)



Photometric Data	
<p><b>7x7</b></p>	<p><b>7x6</b></p>

Note: 1 FC = 10.8 Lux

United States: 1.800.621.1506 | Asia/Pacific: + 65.6556.1100 | Australia: + 61.3.9721.0348  
 Canada: + 1.888.765.2226 | China: + 86.21.3338.7000 | Europe: + 33.3.22.54.13.90  
 Mexico/Latin America: + 52.55.5809.5049 | Middle East/Africa/India: + 971.4.811.8100  
[www.appletonelec.com](http://www.appletonelec.com)





## HAZARDOUS AREAMASTER™ GENERATION 2 HL LED

- Three lumen outputs provide up to 38,000 lumens.
- Choice of optics for optimal light distribution in a variety of applications.
- Separate field wiring compartment with screw terminal block for easy and secure connection (can accept UL/CSA 26-10AWG).
- Two ¾" NPT entries provided.
- Yoke bracket is designed to accommodate traditional Areamaster brackets and slipfitters for easy retrofit.
- Choice of color temperature (CCT); 5000K cool white or 3000K warm white.
- Rugged and compact housing with superior thermal design translates to long luminaire life.
- Heavy duty, high temperature silicone rubber gaskets.
- Thermal shock and impact resistant clear or frosted glass lens.
- Standard 6KV surge protection.
- Captive fasteners secure one piece lens.
- Field replaceable LED driver and lens cover.

### SUITABLE LOCATIONS

- Enclosed and gasketed fixtures suitable for use in:
  - A wide range of industrial, chemical processing and other areas where flammable gases and vapors are present, for example
  - Oil and Gas Refineries
  - Petrochemical Plants
  - Foundries
  - Drilling Rigs
  - Pulp and Paper Mills
  - Food and Beverage Processing Facilities
  - Loading Docks
  - Power Plants
  - Water and Wastewater Treatment Facilities
  - Other areas where corrosive, wet, dirty and tough environments are a problem
- IP66/IP67, Type 4X, marine and wet locations
- Locations requiring dependable, consistent lighting in extreme hot/cold temperature environments.  
-40 °C to +65 °C (-40 °F to +149 °F) ambient temperature range

### STANDARD MATERIALS

- Housing and lens door: copperfree (4/10 of 1% max.) aluminum
- Gaskets: silicone rubber
- Yoke: zinc plated HR steel
- Bolts: stainless steel
- Close up plugs: (1) aluminum provided
- Guard and safety cable: stainless steel
- Visor: Aluminum

### STANDARD FINISHES

- Housing, lens cover and yoke mount: architectural bronze polyester

### OPTIONS

- Improved safety cable design with multiple retention points, purchase separately
- Guard and visor available, purchase separately
- Slip-fitters and mounting brackets available for easy pole or wall mounting
- 10KV Surge Protection

### RELATED PRODUCTS

- Round Tapered Steel Poles
- Hinged Steel Poled
- Square Tapered Steel Poles
- Square Steel Poles
- Floodlight Mounting Brackets

### NEC/CEC RATINGS

- Class I, Division 2, Groups A, B, C, D
- Class I, Zone 2 Group IIC
- Class II, Division 1 and 2, Groups E, F, G
- Class III
- Zone 20 and 21 Group IIIC
- Zone 22, Group IIIB
- Simultaneous Exposure
- Marine Outside Type (Salt Water) for USA ONLY
- Wet Locations
- Type 3R, 4, 4X, IP66/67
- cCSAus: 164460 Certificate Number: 70073613

### ATEX/IECEx CERTIFICATIONS AND COMPLIANCES

- Certification Type: Areamaster High Lumen
  - Gas: Zone 2
    - Type of Protection: Ex ec IIC Gc
    - Temperature Class: T4 to T3
  - Dust: Zone 22
    - Type of Protection: Ex tc IIIC Dc
    - Surface Temperature: +85°C to +100°C (+185°F to +212°F)
- Ambient Temperature: -40°C up to +65°C (-40°F up to +268 °F)
- ATEX Certificate: SIRA 17ATEX3241
- IECEx Certificate: IECEx SIR 17.0079
- Index of Protection according EN/IEC 60529: IP66
- Impact Resistance (shock): IK10
- Photobiological Safety, IEC 62778 and IEC 62471: RG0

### DESIGNLIGHTS™ CONSORTIUM

- All models

APPLETON™

For product information:  
[www.appletonelec.com](http://www.appletonelec.com)  
1.800.621.1506

  
EMERSON™

CONSIDER IT SOLVED.™

## PRODUCT ORDERING GUIDE | AREAMASTER™ GENERATION 2 HL LED

<b>AMLH</b> Series: AMLH: Areamaster 2 HL LED Series	<b>L1</b> Lumen Level ①: L1 - 24K L2 - 30K L3 - 38K	<b>C</b> Color Temp CCT: C - 5000K W - 3000K ①	<b>G</b> Diffusion: G - Clear Glass F - Frosted Glass ②	<b>Z</b> Beam Spread 3 - 3x3 5 - 5x5 6 - 7x7 (non-optic) 7 - 7X6	<b>BU</b> Voltage: BU = 120V-277 Vac 50/60 Hz, 170-300Vdc BH = 347-480 Vac 50/60 Hz ②	<b>S</b> Options: F - Fusing ③ S - 10 KV Surge Protection ④ M - M20 Metric
--	---	---	--	---	--	--

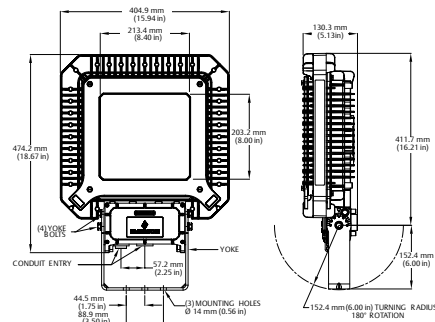
- ① 3000K CCT (warm) is not available with NEMA 7x7 light pattern
- ② Frosted Glass is only available with NEMA 7x7 light pattern
- ③ Use of fuse voids Marine rating. Fusing not available for NEC/CEC.
- ④ All lumen values are typical (tolerance +/-10%).
- ⑤ BH voltage available for NEC/CEC only.
- ⑥ 10 KV Surge Protection available for NEC/CEC only.

	AMLHL1	AMLHL2	AMLHL3
Equivalent to HPS/PSMH	1000 Watt	1000-1500 Watt	1500 Watt
Input Power	180 Watt	225 Watt	310 Watt
Voltage Range	BU	120-277 Vac, 50/60 Hz, 170-300 Vdc	
	BH ②	347-480 Vac, 50/60 Hz	
Luminous Flux (Efficacy) ① for 5000K Clear	7x7	23,500 (131)	30,100 (134)
	7x6	22,700 (126)	28,100(125)
	5x5	24,100 (134)	30,000 (133)
Correlated Color Temperature (CCT)	3000K/5000K		
Color Rendering Index (CRI)	80/70		
Ambient Temperature	-40 °C to +65 °C (-40 °F to +149 °F)		
T Rating NEC/CEC Class I Division 2	T4 @ +65°C (+149°F)	T3C @ +65 °C (+149 °F)	T3C @ +55 °C (+131 °F)
T Rating ATEX/IECEx Zone 2	T4 @ +65°C (+149°F)	T3 @ +65°C (+149°F)	T3 @ +55°C (+131°F)
Luminaire Weight	16.1 kg (35.4 lb)	16.1 kg (35.4 lb)	16.1 kg (35.4 lb)
Standard Materials	Housing: copperfree aluminum		
	Finish: architectural bronze polyester		
	Lens: thermal shock- and impact-resistant glass or optional frosted glass		
Lifetime	>100,000 hours @ +40 °C (+104 °F) ambient temperature		
	>60,000 hours @ +65°C (+149 °F) ambient temperature		
Warranty	5 years standard; 10 years for models with secondary optic and extra surge protection		

① All values typical +/-10%.

② BH voltage available for NEC/CEC only

Luminaire Category	Image	Effective Projected Area (EPA) = FPA * DC m <sup>2</sup> (ft <sup>2</sup> )
90° to Ground-Worst Case Mounting		0.75 (2.45)
45° to Ground-Standard Mounting		0.50 (1.73)



Photometric Data		
<b>5x5</b> 	<b>7x6</b> 	<b>7x7</b> 
- - - - - 10 fc    - - - - - 1 fc - - - - - 5 fc    - - - - - 0.5 fc - - - - - 2 fc    - - - - - 0.2 fc - - - - - 0.1 fc	- - - - - 5 fc    - - - - - 0.5 fc - - - - - 2 fc    - - - - - 0.2 fc - - - - - 1 fc    - - - - - 0.1 fc	- - - - - 5 fc    - - - - - 0.5 fc - - - - - 2 fc    - - - - - 0.2 fc - - - - - 1 fc    - - - - - 0.1 fc

Note: 1 FC = 10.8 Lux

United States: 1.800.621.1506 | Asia/Pacific: + 65.6556.1100 | Australia: + 61.3.9721.0348  
 Canada: + 1.888.765.2226 | China: + 86.21.3338.7000 | Europe: + 33.3.22.54.13.90  
 Mexico/Latin America: + 52.55.5809.5049 | Middle East/Africa/India: + 971.4.811.8100  
[www.appletonelec.com](http://www.appletonelec.com)

