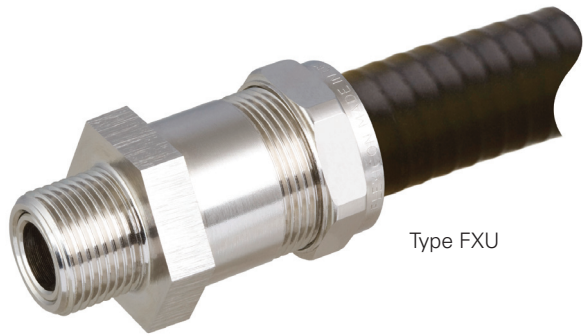


Flexible conduit barrier (Exde) stopper boxes - FXU Series



Type FXU

Technical specification

Code of protection categories

ATEX: II 2 GD, Ex d IIC Gb / Ex e IC Gb Ex tb IIIC IP6X

IECEX: Ex d IIC Gb/ Ex e IIC Gb, Ex tb IIIC Db IP6X

GOST: ExdIIICU

INMETRO: BR-Ex d IIC Gb, BR-Ex tD A21 IP 66/67

Compliance standards

ATEX: EN 60079-0, EN 60079-1, EN 60079-7, EN 60079-31

IECEX: IEC 60079-0, IEC 60079-1, IEC 60079-31, IEC 60079-7

Certificate details

ATEX: ITS 12ATEX17707X

IECEX: IECEX ITS 12.0079X

Temperature

Temperature range -20°C to +85°C

Ingress protection (IP):

Independently tested to IP66 / IP68 when fitted in accordance to manufacturer's instructions

Part number:

Please refer to page 10 for part numbering system

Features

- ATEX Exd/Exe certification
- IP6X, CSA Enclosure Type (NEMA) 3
- Available in nickel-plated brass and stainless steel
- Supplied with compound, making off instructions and gloves

Benefits

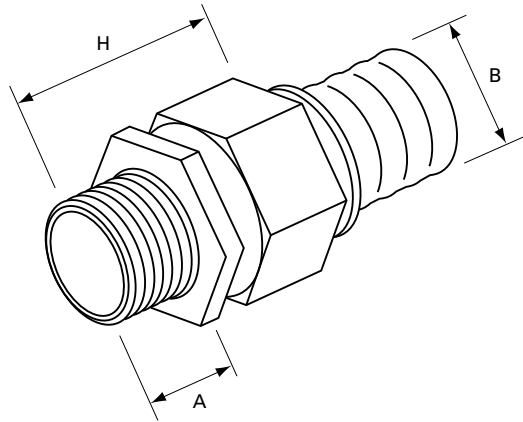
- Provides a flameproof connection for liquidtight and braided flexible conduit by means of compound barrier between individual insulated cable conductors
- Maintains Ex certification
- Maintains IP integrity

Materials

- Nickel-plated brass
- 316 stainless steel

Threadforms

- Metric



Dimensions of Metric Versions

Stopper box size	Thread A min	Ø B nominal	Length H
M20	15.00	21.10	44.50
M25	15.00	26.40	46.00
M32	15.00	33.10	51.50
M40	15.00	41.80	52.50
M50	15.00	47.90	58.50
M63	15.00	59.70	61.50