

Model 2596

2"-8"



Eaton's Model 2596 automatic self-cleaning cast pipeline strainers are available in 2", 3", 4", 6" and 8" sizes. A 4"L size is also available which allows for greater flow rates. The Model 2596 is recognized across industries for its continuous flow, simplified maintenance and worry-free operation.

Features / benefits

- Flow rates up to 1,800 gpm (409 m³/h)
- A broad selection of screen options
- Automatic backwashing
- Exclusive idL™ seal for leak free service
- Unitized modular assembly for easy maintenance
- Cenpeller™ technology for more efficient and complete backwashing
- Cast iron or stainless steel construction
- Standard motor

Options

- 25 micron and 40 micron stainless steel element with a flow rate of up to 800 gpm (218 m³/h)

The Eaton Model 2596 automatic self-cleaning strainer is designed for the continuous removal of entrained solids from liquids in pipeline systems.

With an automated control system monitoring the strainer operation, cleaning is accomplished by an integral backwash system. A small portion of the screen element is isolated and cleaned by reverse flow while the remaining screen area continues to strain—providing uninterrupted flow. This efficient design uses only a small amount of the liquid being strained to carry debris away from the strainer element.

The Model 2596 features the idL shaft seal that positively prevents leakage from the backwash shaft at the top of the strainer. This unique quad seal keeps the exterior of the strainer dry and prevents

external leakage or weeping of the process media down the sides of the strainer.

The 2" to 8" size strainers feature Eaton's Cenpeller technology, which directs incoming liquid into a circular flow—forcing the debris to lay up against the surface of the strainer element in a way that makes backwashing easier and more efficient and greatly reduces the need for manual cleanouts.

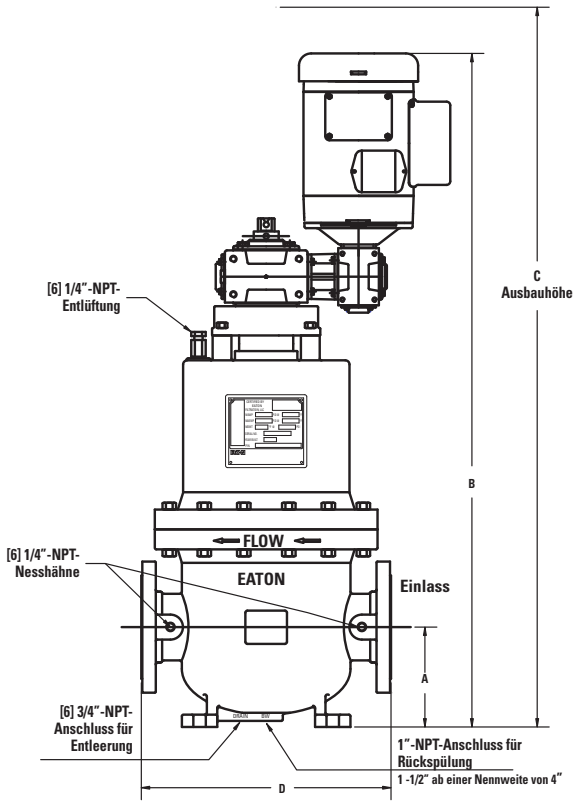


To simplify maintenance the Model 2596 features a unitized modular assembly. The motor, gear reducer and the internal operating mechanism are housed within the strainer cover and lift off as a unit. This makes all components easily accessible and reduces associated maintenance costs.

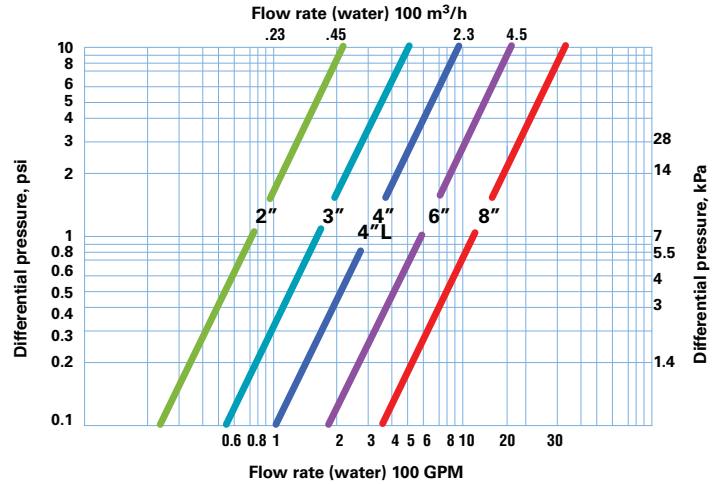


Powering Business Worldwide

Model 2596 2" to 8" Automatic Self-cleaning Strainers



Model 2596 2" - 8" flow rates



Pressure drop data indicates results to be expected with clean water, under normal flows with standard screens and in clean strainer.

Size	Approximate dimensions (in/mm)				Approximate weight (lb/kg)		
	A	B	C	D	Dry	Wet	Cover
2"	6 / 152	40-1/2 / 1029	42-1/2 / 1080	15 / 381	328 / 149	382 / 173	164 / 74
3"	6 / 152	40-1/2 / 1029	42-1/2 / 1080	15 / 381	344 / 156	399 / 181	164 / 74
4"	7 / 178	42 / 1067	44 / 1118	15 / 381	353 / 160	413 / 187	164 / 74
4" L	8 / 203	52 / 1321	55 / 1397	23-1/2 / 597	805 / 365	998 / 453	438 / 199
6"	8 / 203	55 / 1397	58 / 1473	23-1/2 / 597	836 / 379	1081 / 490	438 / 199
8"	8 / 203	55 / 1397	58 / 1473	23-1/2 / 597	901 / 409	1129 / 512	438 / 199

Dimensions are for reference only. For installation purposes, request certified drawings.

C _v factors 25 µm			C _v factors 40 µm		
Size	Value		Size	Value	
2"	76		2"	77	
3"	156		3"	163	
4"	233		4"	260	
4" L	272		4" L	288	
6"	528		6"	605	
8"	708		8"	887	

Application limits

- Cast iron class 125 flange (-20 to 150 °F/-29 to 65 °C): 200 psi/13.8 bar (2" - 8")
- Cast 316 stainless steel class 150 flange (-20 to 100 °F/-29 to 38 °C): 275 psi/19 bar (2" - 4")

Screen elements

DuraWedge® element

DuraWedge is a nonclogging, rugged stainless steel element for the most demanding applications. It is constructed from V-shaped profile wire. A wide range of opening sizes is available.



Convuluted element

A sturdy, economical stainless steel element for general service use. Available perforated openings of 1/8", 1/16" and 1/32". Available mesh sizes of 20, 40, 60, 80, 100, 150 and 200 mesh.



Low micron element

Stainless steel with a high degree of permeability will substantially lower pressure differential, increase flow capacity and extend the filter life. Sintered mesh construction prevents media migration into processed product. Available in 25 µm and 40 µm retention.



North America
44 Apple Street
Tinton Falls, NJ 07724
Toll Free: 800 656-3344
(North America only)
Tel: +1 732 212-4700

Europe/Africa/Middle East
Auf der Heide 2
53947 Nettersheim, Germany
Tel: +49 2486 809-0

Internormen Product Line
Friedensstraße 41
68804 Altlufsheim, Germany
Tel: +49 6205 2094-0

Begerow Product Line
An den Nahewiesen 24
55450 Langenlonsheim, Germany
Tel: +49 6704 204-0

China
No. 3, Lane 280,
Linhong Road
Changning District, 200335
Shanghai, P.R. China
Tel: +86 21 5200-0099

Singapore
4 Loyang Lane #04-01/02
Singapore 508914
Tel: +65 6825-1668

Brazil
Av. Julia Gaioli, 474 – Bonsucesso
07251-500 – Guarulhos, Brazil
Tel: +55 11 2465-8822

For more information, please
email us at filtration@eaton.com
or visit www.eaton.com/filtration

© 2014 Eaton. All rights reserved. All trademarks and registered trademarks are the property of their respective owners. All information and recommendations appearing in this brochure concerning the use of products described herein are based on tests believed to be reliable. However, it is the user's responsibility to determine the suitability for his own use of such products. Since the actual use by others is beyond our control, no guarantee, expressed or implied, is made by Eaton as to the effects of such use or the results to be obtained. Eaton assumes no liability arising out of the use by others of such products. Nor is the information herein to be construed as absolutely complete, since additional information may be necessary or desirable when particular or exceptional conditions or circumstances exist or because of applicable laws or government regulations.

US
EF-SSEA-25
6-2014