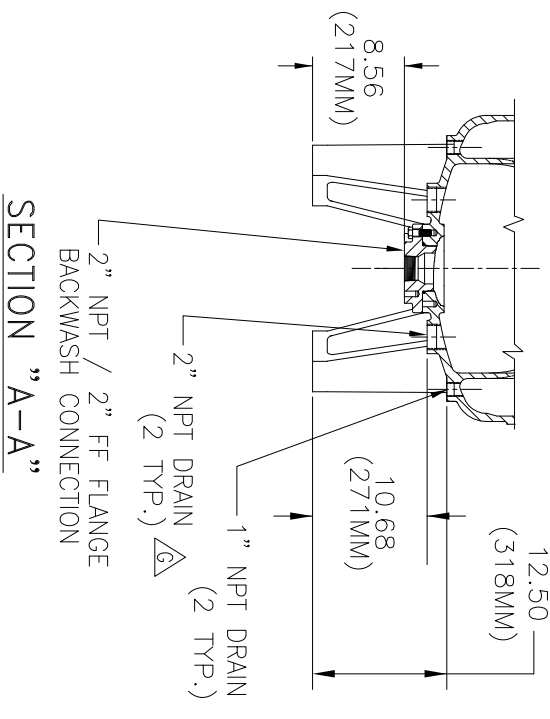
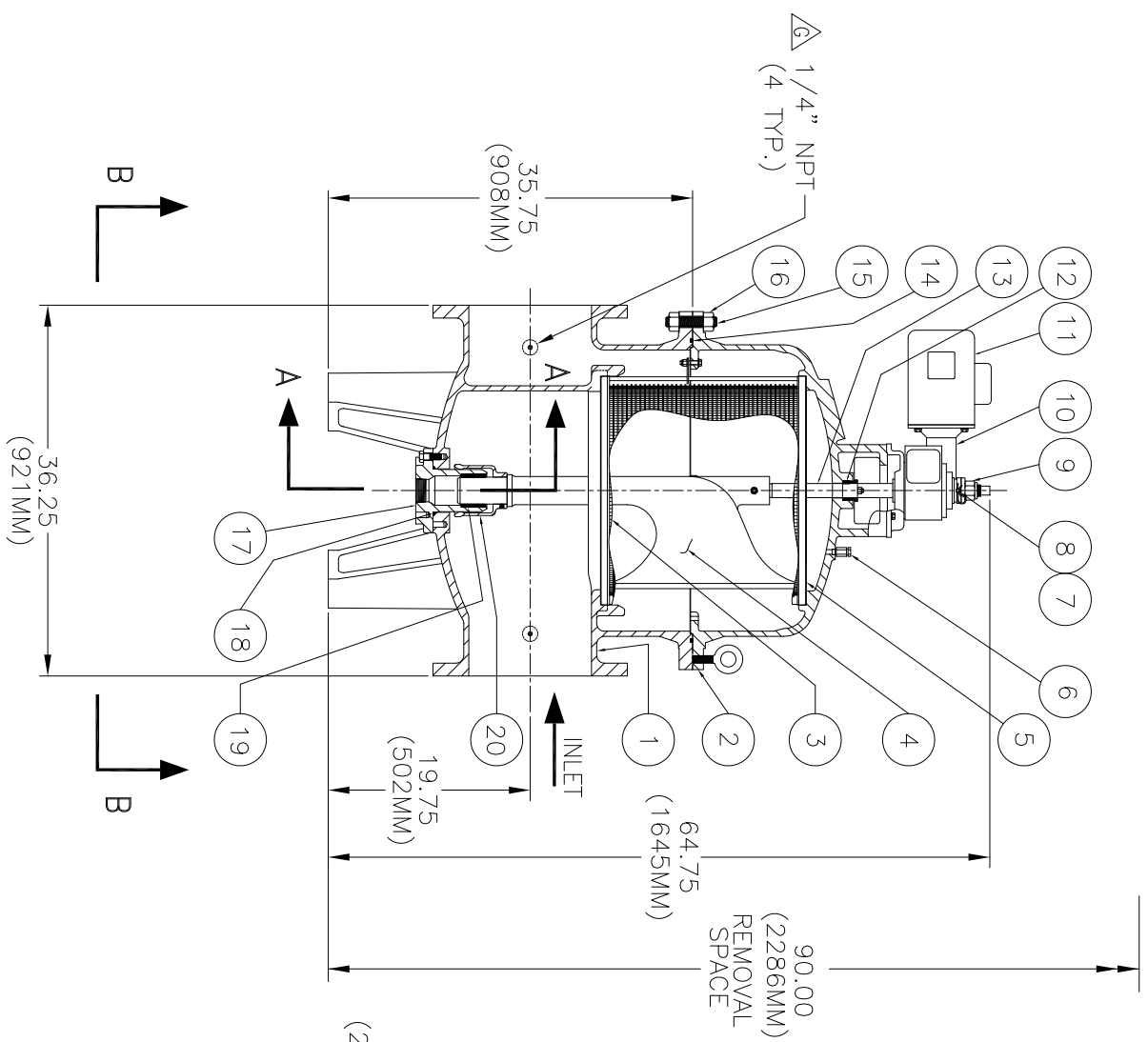


R E V I S I O N S				
REV	DESCRIPTION	BY	ECO	DATE
G	UPDATE TITLE BLOCK ADD DRAINS,19 WAS DELRIN	JJ	0084310	4/5/2013



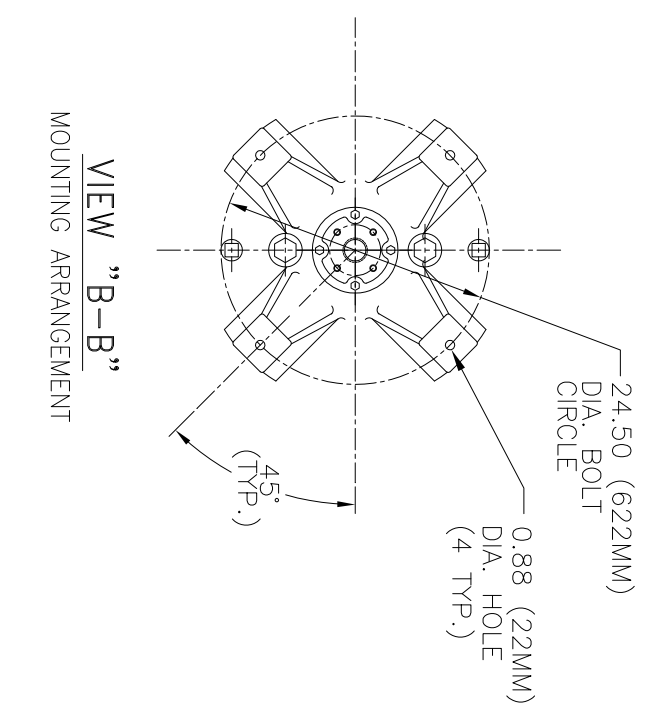
NOTES:

1. ALL FLANGE CONNECTIONS CONFORM TO ANSI B16.42.
2. FOR REPLACEMENT PARTS, MODEL NO., SIZE, AND SERIAL NO., FROM THE STRAINER NAMEPLATE MUST BE FURNISHED.
3. MAX. WORKING PRESSURE: 150 PSI @ 150° F (10.3 BAR @ 65.5° C)
4. WEIGHT: DRY-1880 LBS. (855 KGS.)
WET-2675 LBS. (1216 KGS.)
COVER WEIGHT: 705 (320 KGS.)

T O L E R A N C E S
(UNLESS OTHERWISE SPECIFIED)

DECIMAL:	.X ± .030
	.XX ± .010
	.XXX ± .005

FRACTIONAL:
NOZZLE Q TO FLOOR: $\frac{3}{8}$ " < 4' > $\frac{1}{2}$ "
FACE TO FACE: $\frac{3}{8}$ " < 4' > $\frac{1}{2}$ "
ANGULAR:
FLANGES (H/V): $\pm 1'$
VESSEL OVERALL HT: $\pm 1'$
BOLT HOLES MUST STRADDLE Q
MACHINED PARTS TO BE FREE OF BURRS
FOR ADDITIONAL TOLERANCE DETAILS
REF. ES-211, ES-222 AND ES-223
REVIEWED FOR CLASSIFICATION PER PR-4



C U S T O M E R I N F O

NAME	
P.O. NO.	
TAG NO.	
S.O. NO.	
PART NO.	25961200053

NO.	PART NAME	MATERIAL
1	BODY	DUCTILE IRON ASTM SA 395
2	COVER	DUCTILE IRON ASTM SA 395
3	ELEMENT	STAINLESS STEEL
4	BACKWASH ARM	DUCTILE IRON ASTM A 395
5	GASKET	BUNA-N
6	VENT VALVE 1/4" NPT	BRASS
7	COTTER PIN	STEEL
8	DRIVE PIN	STAINLESS STEEL
9	ELASTIC STOP NUT	STAINLESS STEEL
10	GEAR REDUCER	CAST IRON
11	MOTOR - 1/4 HP	----
12	QUAD SEAL	BUNA
13	BACKWASH SHAFT	STAINLESS STEEL
14	O-RING	BUNA-N
15	STUD	STEEL A 193 GR.B7
16	HEX NUT	STEEL A 194 GR.2H
17	PILOT BUSHING HOUSING	DUCTILE IRON ASTM SA 395
18	O-RING	BUNA-N
19	PILOT BUSHING	COMPOSITE
20	BACKWASH ARM GUIDE	DUCTILE IRON ASTM A 395

DRAWN BY: DM
SCALE: AS DRAWN
RESTRICTION: RESTRICTED
SHEET: 1 OF 1
PROJECTION: THIRD ANGLE

EATON DESIGN CENTER
EATON FILTRATION, LLC
TINTON FALLS, NEW JERSEY, USA • PORTAGE, MICHIGAN, USA

TITLE: MODEL 2596 SELF-CLEANING STRAINER
SIZE 12" 150# FF FLANGE DUCTILE IRON

DATE: 11/13/95
SIZE: B
DWG FILENAME: SD259612
REV: G

THIS DOCUMENT IS THE PROPERTY OF EATON CORPORATION. IT IS CONFIDENTIAL AND PROPRIETARY. NOTICE TO PERSONS RECEIVING THIS DRAWING AND/OR TECHNICAL INFORMATION: BY TAKING THE POSSESSION OF THIS DOCUMENT THE RECIPIENT ACKNOWLEDGES AND AGREES THAT THIS DOCUMENT CANNOT BE USED IN ANY MANNER ADVERSE TO THE INTEREST OF EATON AND THAT NO PORTION OF THIS DRAWING MAY BE COPIED OR OTHERWISE REPRODUCED WITHOUT THE PRIOR WRITTEN CONSENT OF EATON. IN THE CASE OF CONFLICTING CONTRACTUAL PROVISIONS, THIS NOTICE SHALL GOVERN THE STATUS OF THIS DOCUMENT. ©2013 EATON CORPORATION. ALL RIGHTS RESERVED.