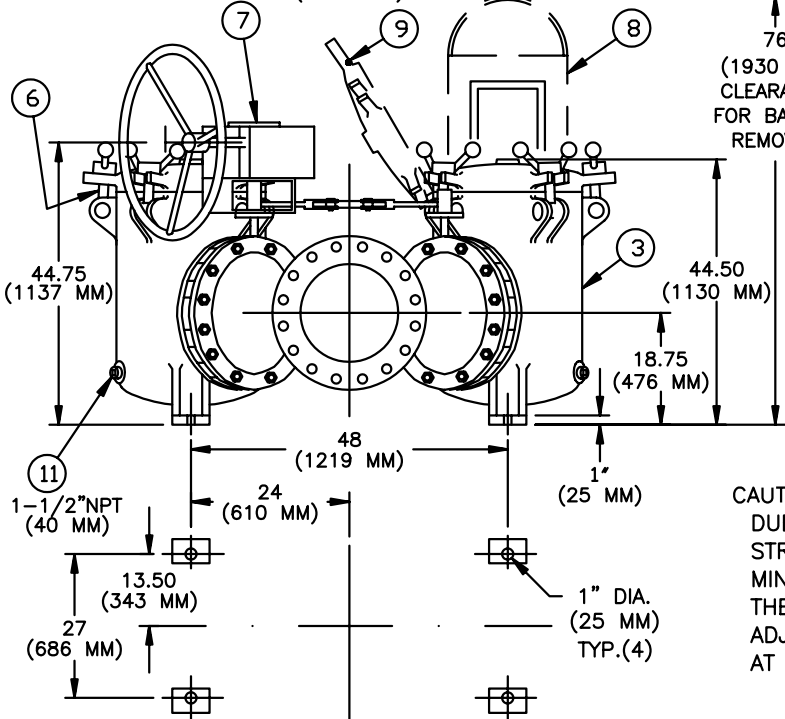


NO.	DESCRIPTION	MATERIAL
1	FLANGED Y	CAST IRON A126 CL.C
2	BUTTERFLY VALVE	IRON / BUNA-N SEAL
3	BODY	CAST IRON A126 CL.C
4	LINKAGE	STEEL
5	COVER	CAST IRON A126 CL.C
6	SWING BOLTS	CARBON STEEL
7	GEAR OPERATOR	IRON
8	BASKET	
	PERF. DIA.	
	MESH SIZE	
9	O-RING	BUNA-N
10	BOLT/NUT	CARBON STEEL
11	PIPE PLUG (DRAIN)	IRON
12	PIPE PLUG (VENT)	IRON
13	PIPE PLUG (GAGE)	IRON

NOTES:

1. INLET/OUTLET FLANGE PER ANSI B16.1 CLASS 125 FF FLANGE.
2. MAX. WORKING PRESS.: 150 PSI @100° F. (10.3 BAR @ 37.8° C)
3. DIMENSIONS ARE IN INCHES / (MM).
4. WEIGHT: 4300 LBS. (1950 KG.)



76
(1930 MM)
CLEARANCE
FOR BASKET
REMOVAL

CUSTOMER:
P.O. NO.:
REG. NO.:
QUOTE NO.:
TAG NO.:

CAUTION:

DUE TO THE TYPE OF CONSTRUCTION OF THIS STRAINER, ALL DIMENSIONS MAY VARY PLUS OR MINUS 1.50% OF THE CHARTED FIGURES. THE CUSTOMER IS ADVISED NOT TO FABRICATE ADJOINING PIPING UNTIL RECEIPT OF THE UNIT AT THE JOB SITE.

PLAN VIEW
(MOUNTING)

PART NO.: ST052140AF40C

		EATON FILTRATION, LLC 70 WOOD AVENUE SOUTH, ISELIN, NEW JERSEY 08830					
		NAME MODEL 52 DUPLEX STRAINER 125# FLAT FACE FLANGE SIZE 14" CAST IRON					
DRAWN	FM	DATE	3/14/94	CERT.	GJL	DATE	3/14/94
SIZE	DWG	SD052102				REV	D
A	NO						

ELECTRONIC FILE NAME: SD052102.DWG
REF. ECR 0058909 DATE 07/14/11

UNAUTHORIZED USE, MANUFACTURE OR REPRODUCTION IN WHOLE OR IN PART IS PROHIBITED. DRAWING, DESIGN AND OTHER DISCLOSURES PROPERTY OF EATON FILTRATION, LLC