



DMD 831

Differential Pressure Transmitter with Display and Contact for Fluids and Gases



- ▶ 2 piezoresistive stainless steel sensors
- ▶ differential pressure from 0 ... 1 bar up to 0 ... 70 bar
- ▶ display and pressure port rotatable

Technical Data

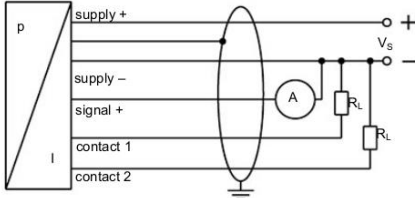
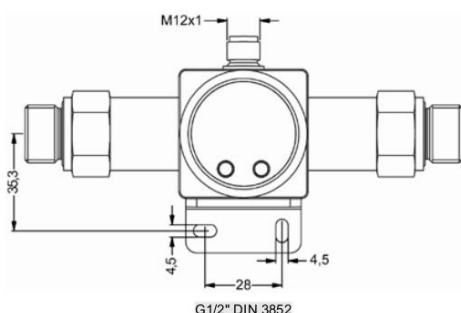
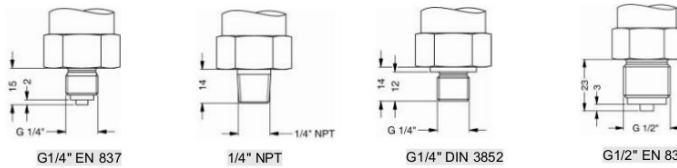
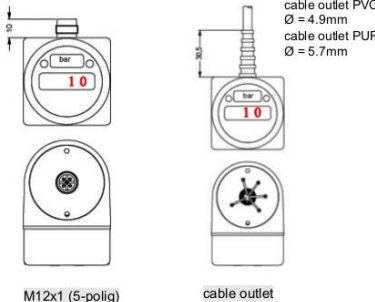


Input pressure range							
Type	D5	D6	D7	D8	DA	DB	H1
Differential pressure range [bar] (calibration)	0 ... 1	0 ... 2	0 ... 3,5	0 ... 7	0 ... 20	0 ... 35	0 ... 70
Permissible static pressure [bar] one-sided	1	2	3,5	7	20	35	70
Analogue signal / Supply							
Standard	3-wire: 4 ... 20 mA			24 V _{DC} ± 10 %			
Permissible load	500 Ω						
Accuracy ¹	≤ ± 1 % BFSL						
¹ accuracy according to IEC 60770 – limit point adjustment (non-linearity, hysteresis, repeatability)							
Contact							
Number, type	standard: 1 PNP			option: 2 independent PNP			
Max. switching current	125 mA, short-circuit proof						
Switching accuracy ¹	≤ ± 0.5 % FSO						
Repeatability	≤ ± 0.1 % FSO						
Switching cycles	> 100 x 10 ⁶						
Delay time	0 ... 100 sec						
Programming							
Adjustability	analogue output / contact refers to:			- pressure (+ port) - pressure (- port) - differential pressure			
	Turn-Down: max. 1:10						
Thermal error ² (offset and span) / Permissible temperatures							
Tolerance band	≤ ± 1.5 % FSO						
TC, average	± 0.2 % FSO / 10 K						
In compensated range	0 ... 70 °C						
Permissible temperatures	medium: -40 ... 125 °C		electronics / environment: -25 ... 85 °C			storage: -40 ... 85 °C	
² relating to nominal pressure range							
Electrical protection							
Short-circuit protection	permanent						
Reverse polarity protection	no damage, but also no function						
Electromagnetic compatibility	emission and immunity according to EN 61326						

DMD 831

Differential Pressure Transmitter

Technical Data

Mechanical stability		
Vibration	10 g RMS (20 ... 2000 Hz)	according to DIN EN 60068-2-6
Shock	100 g / 11 msec	according to DIN EN 60068-2-27
Materials		
Pressure port	stainless steel 1.4404 (316L)	
Housing	PA 6.6, Polycarbonate	
Seals (media wetted)	FKM	others on request
Diaphragm	stainless steel 1.4435 (316L)	
Media wetted parts	pressure port, seals, diaphragm	
Miscellaneous		
Display	4-digit, red LED-display, digit size 7 mm range of indication -1999 ... +9999; accuracy 0.1 % +/- 1 digit; digital damping 0.3 ... 30 sec (programmable);	
Current consumption	signal output current: max. 60 mA (without switching current)	
Weight	approx. 350 g	
Operational life	> 100 x 10 ⁶ pressure cycles	
Ingress protection	IP 65	
Electrical connections		
Standard	connector M12x1 / 5-pin (IP 67)	others on request
Wiring diagram		
		
Pin configuration		
Electrical connections	M12x1 (5-pin), plastic	cable outlet (IP 67)
Supply +	1	wh (white)
Supply -	3	bn (brown)
Signal +	2	gn (green)
Contact 1	4	gy (grey)
Contact 2	5	pk (pink)
Shield	via pressure port	ye/gn (yellow / green)
Mechanical connections (in mm)		Electrical connections (dimensions in mm)
<p>standard</p>  <p>option</p> 		
		



Ordering code DMD 831

DMD 831

□□□ - □□ - □□□□ - □ - □□ - □□□□ - □□□□ - □□ - □□□□

Pressure		7		3		2															
differential pressure																					
max. static pressure [bar]																					
	1																				
	2																				
	3.5																				
	7																				
	20																				
	35																				
	70																				
	customer																				
differential pressure range [bar]		D5		D6		D7		D8		DA		DB		H1		9		9		consult	
Minimum	Maximum																				
0.1	1																				
0.2	2																				
0.35	3.5																				
0.7	7																				
2	20																				
3.5	35																				
7	70																				
	customer																				
Analogue output																					
4 ... 20 mA / 3-wire																					
customer																					
Contact																					
1 contact PNP																					
2 contacts PNP																					
customer																					
Accuracy																					
1% FSO BFSL																					
customer																					
Electrical connection																					
M12x1 (5-pin)																					
Cable outlet with PVC cable ¹																					
customer																					
Mechanical connection																					
G 1/2" DIN 3852																					
G 1/2" EN 837																					
G 1/4" DIN 3852																					
G 1/4" EN 837																					
1/2" NPT																					
1/4" NPT																					
customer																					
Seals																					
FKM																					
customer																					
Special version																					
standard																					
customer																					

¹ standard: 2 m PVC cable without ventilation tube (permissible temperature: -5 ... 70°C)