

ID2SR Factory Sealed Interlocked Switched Receptacles

Dead Front Interlocked Construction; No External Seals Required.

CEC:

Class I, Division 2, Groups B, C and D

Class II, Division 1 and 2, Groups F[Ⓢ] and G

Class III

CSA Type 3, 3R, 4[Ⓢ], 4X[Ⓢ], 9F[Ⓢ]G, 12

Applications

- Locations where receptacles are used with stationary or portable electrically operated devices such as:
 - Lighting systems
 - Conveyors
 - Heaters
 - Motor generator sets
 - Air conditioners
 - Compressors
 - Pumps

Features

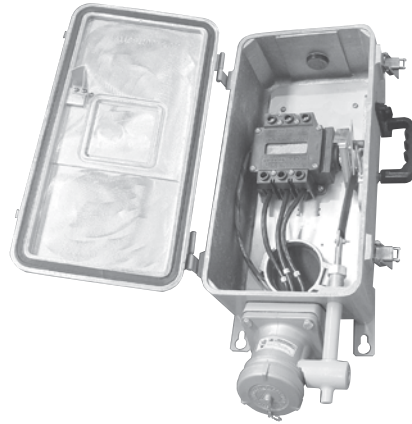
- Factory sealed; No external seals required.
- Available in fused and unfused versions.
- Certified for use with Appleton ACP plugs [†].
- Positive polarization; only plugs of the same style, number of poles, and amperage rating may be used with these receptacles.
- Safety Interlock mechanism. Plug must be inserted into the receptacle before the switch can be turned on. Plug cannot be withdrawn unless the switch is in the "OFF" position.
- Cover latches are stainless steel.
- Standard epoxy powder coating delivers exceptional corrosion resistance.
- Ergonomically designed.
- Rugged cast aluminum handle for exceptional durability and corrosion resistance.
- Style 2 (shell and extra pole) grounding.
- Removable hinged cover allows for ease of installation and maintenance.
- Short circuit withstand rated to 200,000 RMS symmetrical amperes (Class J Fusing).
- Short circuit withstand rated to 10,000 RMS Symmetrical Amperes (Unfused).
- Stainless steel key-hole mounting feet for easy installation.
- Accommodates #8 – #4/0 AWG copper wire.
- Unit is equipped with defeatable door interlock which allows emergency access when switch is energized.
- Cover can be padlocked closed.
- Operating handle can be locked in the "OFF" position with provision to lock in the "ON" position.

Standard Materials

- Enclosure: copper-free aluminum with epoxy powder coating
- Operating handle: durable cast aluminum
- Hardware: stainless steel

Options

- One normally opened, one normally closed auxiliary switch, add suffix **-AUX**.
- LED indicator lights: one light indicates power to unit and other indicates switch is in "ON" position add suffix **-IL**.
- Can be supplied with viewing window; add suffix **-W**.



Enclosure cover can be padlocked closed

- Special Polarization: Prevents plug insertion in a receptacle or connector wired for a different voltage. In installations where there are different line voltages, the special polarization option is desirable. This allows only plugs and receptacles wired for the same line voltage to be mated together. The receptacle or connector interior is positioned 22-1/2°, relative to the polarization rivet, to the right (as specified) of standard, and plug is polarized to correspond. Suffix **-P4** to receptacle.

CEC Certifications and Compliances

- CSA Standard: C22.2 No.4, C22.2 No. 25, C22.2 No. 159, C22.2 No. 182.1
- CSA Certified: 038644

① Do not use where electrically conductive dusts are present (most coal dusts are not electrically conductive).

② Flip cover suitable for CSA Type 3, 3R only. Select screw cover for 4, 4X. Both covers are included with product. NEMA 4 rating maintained with Appleton NEMA 4 plug installed. (Screw cover not available on 30 Amp).

③ Do not use where electrically conductive dusts are present (most coal dusts are not electrically conductive).

+ The ID2SR will also accept Crouse-Hinds Arkrite plugs. Crouse-Hinds and Arkrite are registered trademarks of Cooper Crouse-Hinds.


ID2SR Factory Sealed Interlocked Switched Receptacles

Dead Front Interlocked Construction; No External Seals Required.


CEC:

Class I, Division 2, Groups B, C and D
 Class II, Division 1 and 2, Groups F¹ and G
 Class III
 CSA Type 3, 3R, 4², 4X², 9F³G, 12

ID2SR Receptacles

	Amps	Wires/Poles	Max HP	Catalog Number		Mating Plug
				Non-Fused	Fused	
	30	2W, 3P	3 HP @ 240 Vac	ID2SR3023	ID2SR3023F	ACP3023BC
		3W, 4P	20 HP @ 600 Vac	ID2SR3034	ID2SR3034F	ACP3034BC
	60	2W, 3P	7.5 HP @ 240 Vac	ID2SR6023	ID2SR6023F	ACP6023BC
		3W, 4P	50 HP @ 600 Vac	ID2SR6034	ID2SR6034F	ACP6034BC
	100	2W, 3P	10 HP @ 240 Vac	ID2SR1023	ID2SR1023F	ACP1023CD
		3W, 4P	50 HP @ 600 Vac	ID2SR1034	ID2SR1034F	ACP1034CD

ACP Plugs for ID2SR Receptacles

	Cable Dia. (Inches)	30 Amp		60 Amp		100 Amp	
		2W, 3P	3W, 4P	2W, 3P	3W, 4P	2W, 3P	3W, 4P
	.500 to 1.250	ACP3023BC	ACP3034BC	—	—	—	—
	.500 to 1.375	—	—	ACP6023BC	ACP6034BC	—	—
	.875 to 1.906	—	—	—	—	ACP1023CD	ACP1034CD

APPLETON™

PLUGS AND RECEPTACLES: NEC/CEC HAZARDOUS LOCATION

① Do not use where electrically conductive dusts are present (most coal dusts are not electrically conductive).
 ② Flip cover suitable for CSA Type 3, 3R only. Select screw cover for 4, 4X. Both covers are included with product. NEMA 4 rating maintained with Appleton NEMA 4 plug installed. (Screw cover not available on 30 Amp).
 ③ Do not use where electrically conductive dusts are present (most coal dusts are not electrically conductive).

ID2SR Factory Sealed Interlocked Switched Receptacle

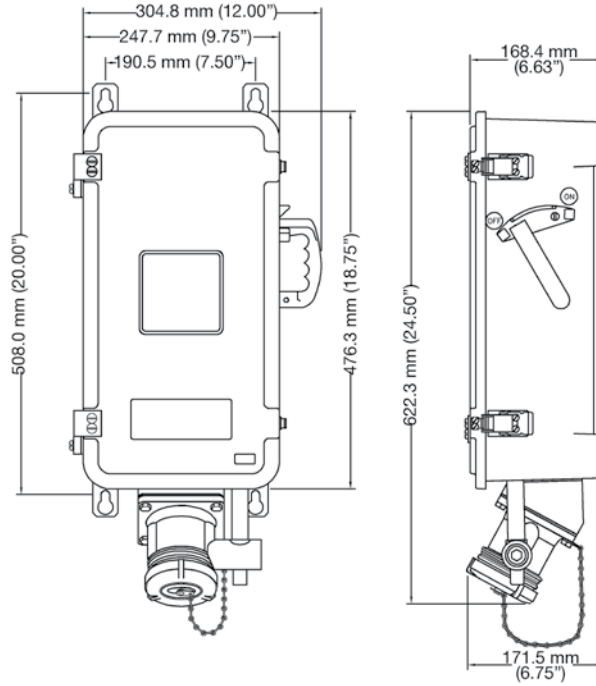
Dead Front Interlocked Construction; No External Seals Required.

CEC:

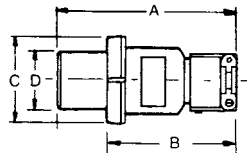
- Class I, Division 2, Groups B, C and D
- Class II, Division 1 and 2, Groups F[Ⓢ] and G
- Class III
- CSA Type 3, 3R, 4[Ⓢ], 4X[Ⓢ], 9F[Ⓢ]G, 12

Dimensions in Millimeters (Inches)

ID2SR Receptacles



ACP Plugs



Max. Amp	No. Poles	Dimensions in Millimeters (Inches)			
		A	B	C	D
30	2,3,4	152.4 (6.00)	120.6 (4.75)	79.5 (3.13)	47.2 (1.86)
60	2,3	198.3 (7.81)	125.4 (4.94)	88.9 (3.50)	56.6 (2.23)
60	4	198.3 (7.81)	125.4 (4.94)	96.7 (3.81)	64.7 (2.55)
100	2,3	266.7 (10.50)	168.4 (6.63)	101.6 (4.00)	62.7 (2.47)
100	4	266.7 (10.50)	168.4 (6.63)	107.9 (4.25)	69.0 (2.72)

- ① Do not use where electrically conductive dusts are present (most coal dusts are not electrically conductive).
- ② Flip cover suitable for CSA Type 3, 3R only. Select screw cover for 4, 4X. Both covers are included with product. NEMA 4 rating maintained with Appleton NEMA 4 plug installed. (Screw cover not available on 30 Amp).
- ③ Do not use where electrically conductive dusts are present (most coal dusts are not electrically conductive).