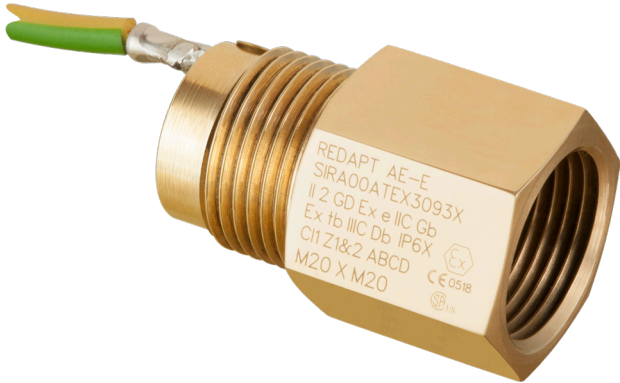


# Earth lead (Exe) adaptors - AE-E Series



Type AE-E

Redapt AE-E series of earth lead adaptors provide a method of bonding a cable gland or conduit termination to a grounding point within an enclosure

## Materials

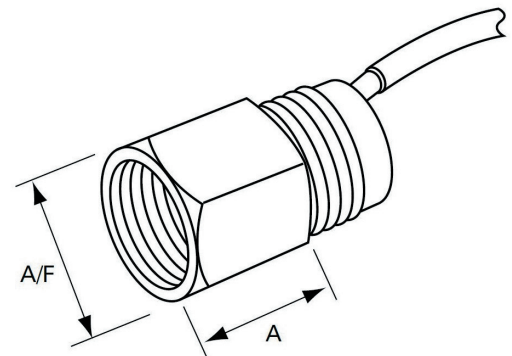
- Brass CZ121
- 316 stainless steel
- Aluminium
- Mild steel

## Plating options

- Electroless nickel
- Zinc
- Chromated
- Others on application

## Threadforms

- Metric
- NPT
- PG
- ISO pipe (BSP)
- ET



## Dimensions

Size	Body length (A)	A/F
M16	21.50	23.37
M20	21.50	30.48
M25	21.50	37.59
M32	21.50	47.24
M40	21.50	55.88
M50	21.50	70.10
M63	21.50	90.17
M75	21.50	90.17

## Technical specifications

### Code of protection categories

ATEX: I M2 / II 2GD, Ex eb I/IIC Mb/Gb, Ex tb IIC Db (Aluminium not mining)

IECEX: Ex eb IIC Gb, Ex tb IIC Db

CSA: Ex eb IIC Gb IP54; CI I Zn 1 AEx eb IIC Gb IP54;

CI I Div2 Gr ABCD CI II Gr EFG CI III; Type 3

### Compliance standards

ATEX: EN 60079-0, EN 60079-1, EN 60079-31

IECEX: IEC 60079-0, IEC 60079-7, IEC 60079-31

CSA: CAN/CSA C22.2 No. 60079-0, CAN/CSA C22.2, No. 60079-7, ANSI/UL 60079-0, ANSI/UL 60079-7

### Certificate details

ATEX: ITS16ATEX101339X

IECEX: IECEX ITS 16.0013X

EAC: RU C-GB.M1062.B.06225

CSA: CSA01CA1248014X

INMETRO: NCC 18.0133 X

### Temperature

-20°C to +40°C

### Ingress protection (IP):

IP64 when fitted without sealing washer. IP66/IP68 when fitted with Oring or thread sealant according to manufacturer's instructions.

### Part number:

Please refer to part numbering system below

[Download certificates and documents here](#)

# Earth lead (Exe) adaptors - Product coding

Product	Digits 1 & 2
Exe Earth lead ADAPTOR	<b>AE</b>

Certification	Digit 3
<b>E</b>	Exe I and IIC

Material	Digit 4
1	Brass
<b>2</b>	Mild steel
3	Stainless steel
5	Aluminium

Plating	Digit 5
0	Unplated
1	Electroless nickel
2	Zinc
<b>6</b>	Chromated

## Digits 6 & 7, Male thread – Digits 8 & 9, Female thread

Metric	ET imperial conduit	NPT	NPSM	ISO pipe parallel (BSPP)	ISO pipe taper (BSPT)	PG
03 M16	17 5/8" ET	<b>29 1/2" NPT</b>	42 1/2" NPSM	55 1/2" BSPP	68 1/2" BSPT	79 PG7
<b>04 M20</b>	18 3/4" ET	30 3/4" NPT	43 3/4" NPSM	56 3/4" BSPP	69 3/4" BSPT	80 PG9
05 M25	19 1" ET	31 1" NPT	44 1" NPSM	57 1" BSPP	70 1" BSPT	81 PG11
06 M32	20 1 1/4" ET	32 1 1/4" NPT	45 1 1/4" NPSM	58 1 1/4" BSPP	71 1 1/4" BSPT	82 PG13.5
07 M40	21 1 1/2" ET	33 1 1/2" NPT	46 1 1/2" NPSM	59 1 1/2" BSPP	72 1 1/2" BSPT	83 PG16
08 M50	22 2" ET	34 2" NPT	47 2" NPSM	60 2" BSPP	73 2" BSPT	84 PG21
09 M63	23 2 1/2" ET	35 2 1/2" NPT	48 2 1/2" NPSM	61 2 1/2" BSPP	74 2 1/2" BSPT	85 PG29
10 M75	24 3" ET	36 3" NPT	49 3" NPSM	62 3" BSPP	75 3" BSPT	86 PG36

## Example

Digits 1 & 2	Digit 3	Digit 4	Digit 5	Digits 6 & 7	Digits 8 & 9
<b>AE</b>	<b>- E</b>	<b>- 2</b>	<b>- 6</b>	<b>- 29</b>	<b>- 04</b>
Earth lead adaptor	Exe certified	Mild steel	Chromated	1/2" NPT Male	M20 Female

## Notes:

- Always quote male thread first.

- Threadform codes below to be used for both male and female threads.

# Thread dimension chart

## ISO metric

### BS 3643 1.5mm pitch

Size	Major dia.	TPI
M16	15.97	16.93
M20	19.97	16.93
M25	24.97	16.93
M32	31.97	16.93
M40	39.97	16.93
M50	49.97	16.93
M63	62.97	16.93
M75	74.97	16.93

### 2.0mm pitch

M80	79.97	12.70
M85	84.97	12.70
M90	89.97	12.70
M100	99.97	12.70
M110	109.97	12.70
M120	119.97	12.70

## NPT

### ANSI/ASME B1.20.1

Size	Pipe dia.	TPI
1/2"	21.34	14.00
3/4"	26.67	14.00
1"	33.40	11.50
1 1/4"	42.16	11.50
1 1/2"	48.26	11.50
2"	60.33	11.50
2 1/2"	73.03	8.00
3"	88.90	8.00
3 1/2"	101.60	8.00
4"	114.30	8.00

## PG

### BS 3643 1.5mm pitch

Size	Major dia.	TPI
PG7	12.50	20.00
PG9	15.20	18.00
PG11	18.60	18.00
PG13.5	20.40	18.00
PG16	22.50	18.00
PG21	28.30	16.00
PG29	37.00	16.00
PG36	47.00	16.00
PG42	54.00	16.00
PG48	59.30	16.00

## Alternate ISO pipe thread designations

### BS 3643 1.5mm pitch

UK	<b>BSP</b> Parallel or Taper BS2279 (BS21)
Europe	<b>G</b> (Parallel) <b>GK</b> (Taper) <b>R</b> (Parallel) <b>RK</b> (Taper)
Japan	<b>PF</b> (Parallel) JIS B 303
CIS	<b>K mpy</b> (Taper)

## BSP ISO pipe thread

### ISO R/7; UNI 6125

Size	Pipe Dia.	TPI
3/8"	16.66	19.00
1/2"	20.96	14.00
3/4"	26.44	14.00
1"	33.25	11.00
1 1/4"	41.91	11.00
1 1/2"	47.80	11.00
2"	59.61	11.00
2 1/2"	75.18	11.00
3"	87.88	11.00

## ET imperial conduit

### BS31

Size	Major dia.	TPI
5/8"	15.88	18.00
3/4"	19.05	16.00
1"	25.40	16.00
1 1/4"	31.75	16.00
1 1/2"	38.10	14.00
2"	50.80	14.00
2 1/2"	63.50	14.00
3"	76.20	14.00

## Thread dimension substitution chart

Metric	NPT (or NPS)	PG	BSP ISO Pipe	ET
M16	–	7, 9	–	5/8"
M20	1/2"	11, 13.5	1/2"	3/4"
M25	3/4"	16	3/4"	1"
M32	1"	21	1"	1 1/4"
M40	1 1/4"	29	1 1/4"	1 1/2"
M50	1 1/2"	36	1 1/2"	2"
M63	2"	42, 48	2"	2 1/2"
M75	2 1/2"	–	2 1/2"	3"
M90 x 2.0	3"	–	3"	–
M100 x 2.0	3 1/2"	–	–	–
M110 x 2.0	–	–	–	–
M120 x 2.0	–	–	–	–

# Part numbering system

## Codes

Page No.	Product	Digits 1 & 2
<b>Adaptors and reducers</b>		
14-17	<b>AD</b>	Adaptor
14-17	RD	Reducer
18	TA	Swivel - in-line male to female
18	TC	Swivel - in-line female to female
18	TD	Swivel - in-line male to male
18	TP	Swivel - 90° male to female
18	TQ	Swivel - 90° female to female
18	TR	Swivel - 90° male to male
19	AY	'Y' adaptor
20	AT	'T' adaptor
21	AR	90° adaptor
22	AM	Male to male adaptor
23	AF	Female to female adaptor
24-25	DB	Insulated adaptor
<b>Stopping Plugs</b>		
26-27	PD	Dome head plug
28	PA	Type A plug
28	PB	Type B plug
<b>Breather Drains</b>		
31	DP	Breather drain (Exe)
32	BD	Breather drain (Exde)
<b>Other products</b>		
34	UN	Union - male to female
34	UF	Union - female to female
35	AE	Earth lead adaptor

Certification	Digit 3
<b>U</b>	Exd I and IIC & Exe I and IIC
D	Exd I and IIC
E	Exe I and IIC
F	Industrial (marked product)

Material	Digit 4
<b>1</b>	Brass
2	Mild steel
3	Stainless steel
4	Glass filled nylon
5	Aluminium
6	Nylon 6
7	Red fibre

Plating	Digit 5
0	Unplated
<b>1</b>	Electroless nickel
2	Zinc
6	Chromated

## Example

Digits 1 & 2	Digit 3	Digit 4	Digit 5	Digits 6 & 7	Digits 8 & 9
<b>AD</b>	<b>- U</b>	<b>- 1</b>	<b>- 1</b>	<b>- 29</b>	<b>- 04</b>
Adaptor	Exd/e certified	Brass	Nickel-plated	1/2" NPT (male)	M20 (female)

Always quote male thread first.