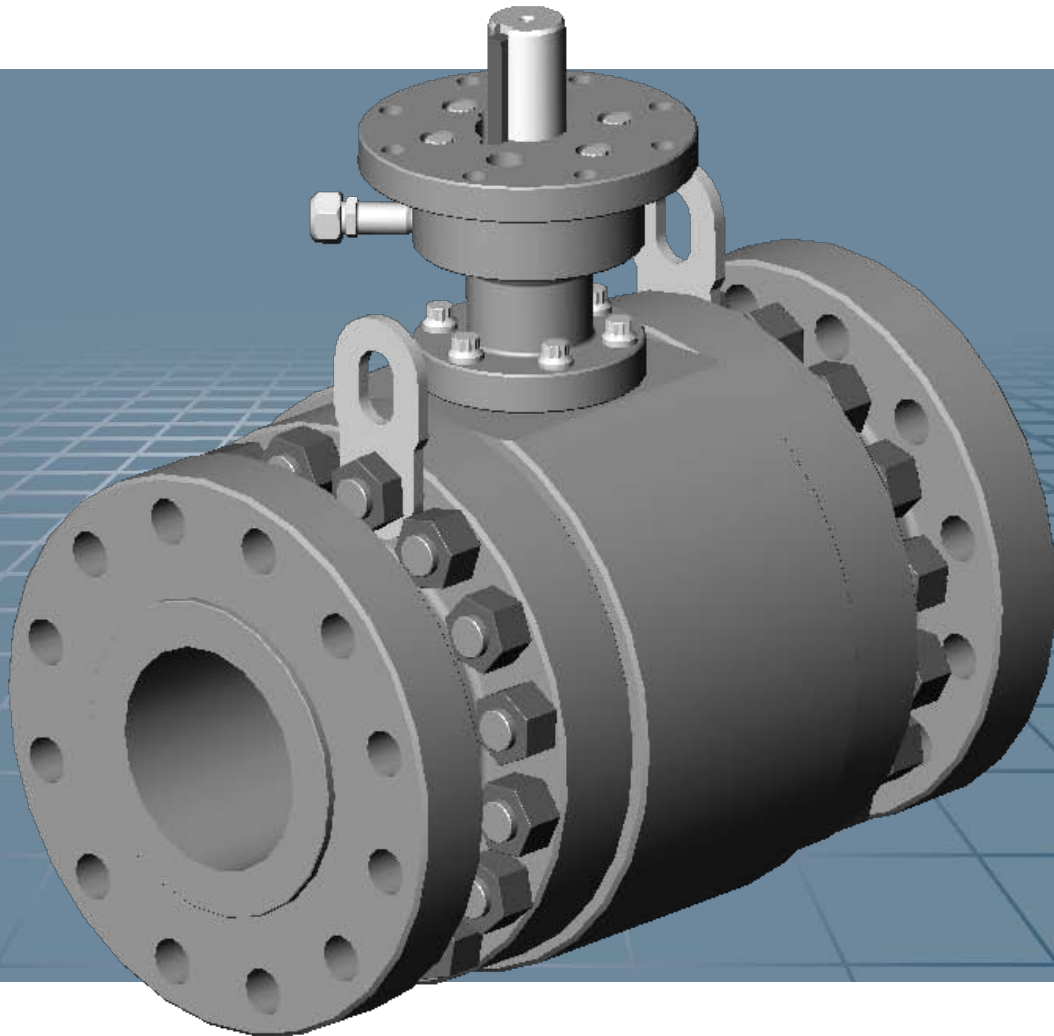


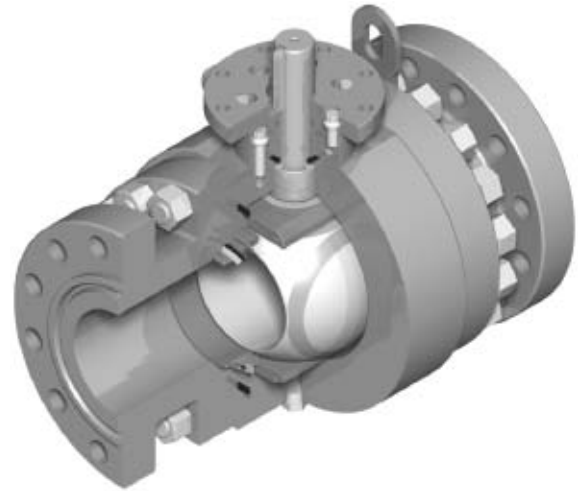
NUTRON[®] Metal Seated Valves for Heavy Oil, High Temperature Steam and Abrasive Slurry Applications



NUTRON MODEL TM METAL SEATED TRUNNION MOUNTED BALL VALVES

COMPLIANCE AND SPECIFICATIONS

- ISO 9001-2000 Registered Quality System
- API 6D
- API 608
- API 598
- API 607 5th Edition and API 6FA Fire Tested
- ASME B16.34
- ASME Section VIII Division 1 Boiler and Pressure Vessel Code
- CSA Z245.15 Steel Valves
- NACE MR0175 / ISO 15156 Compliance
- Canadian Registered
- Double-Block-&-Bleed
- Bi-Directional Sealing to Class V (Class VI available)
- Redundant Seals
- Extended Bonnet Available for High Temperature Service



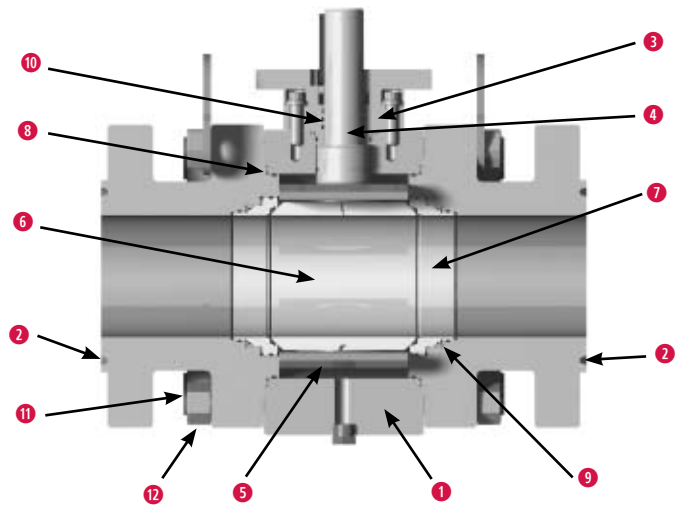
SIZES AND TRIMS

Full Port sizes

- 2 inch through 12 inch (50 mm through 300 mm)
- ASME Class 150 / 300 / 600 / 900 / 1500 / 2500 (PN 20 / 50 / 100 / 150 / 250 / 420)

Reduced Port sizes

- 3 inch through 16 inch (80 mm through 400 mm).
- ASME Class 150 / 300 / 600 / 900 / 1500 / 2500 (PN 20 / 50 / 100 / 150 / 250 / 420)



ITEM	PART	HT SERVICE (SOUR) -50°F to 662°F (-46°C to 350°C)	ABRASIVE SLURRY SERVICE (SOUR) -50°F to 400°F (-46°C to 204°C)
1	Body	ASTM A350 LF2 ³	ASTM A350 LF2 w / Coating
2	End Caps	ASTM A350 LF2 ³	ASTM A350 LF2 w / Coating
3	Bonnet	ASTM A350 LF2 ³	ASTM A350 LF2 w / Coating
¹	4 Stem	ASTM A322 4130 w / ENC	ASTM A322 4130 w / ENC
5	Bearing Plate	ASTM A350 LF2	ASTM A350 LF2
^{1,4}	6 Ball	ASTM A182 F6A w / Chromium Carbide	ASTM A182 F6A w / Chromium Carbide
^{1,2,4}	7 Seat Assembly	ASTM A564 17-4 w / Chromium Carbide	ASTM A564 17-4 w / Chromium Carbide
^{1,2}	8 Body Seals	Flexiseal & Metallic	O-Ring & Metallic
^{1,2}	9 Seat Seal	Delta Seal	Delta Seal
^{1,2}	10 Stem Seals	Flexiseal & Packing	O-Rings & Packing
11	Body Studs	ASTM A320 L7M	ASTM A320 L7M
12	Body Nuts	ASTM A194 L7M	ASTM A194 L7M

- ¹ Major Repair Kit.
- ² Minor Repair Kit.
- ³ Optional Coatings Available.
- ⁴ Other Coatings Available to suit application.

Cameron's Valves & Measurement Group reserves the right to substitute materials listed in the chart with alternate materials for the designated service.

VALVES & MEASUREMENT

3250 Briarpark Drive, Suite 300
Houston, TX 77042
USA Toll 800 323 9160

For the most current contact and location information go to: www.c-a-m.com