

PlexPower™ Factory Sealed Enclosed Circuit Breakers

Stainless Steel Enclosures

NEC/CEC:

Class I, Zone 1, AEx de IIB+H₂ T5
 Ex de IIB+H₂ T5
 Class I, Division 2, Groups B, C, D
 Class II, Division 1, Groups F, G ①
 Class III ①
 IP66, Type 4X ②

Applications

- The PlexPower™ enclosed breaker provides indoor and outdoor protection and control of electrical circuits in hazardous environments such as:
 - Petroleum plants
 - Chemical plants
 - Refineries
 - Other process facilities
- Ideal for installation in wet, corrosive environments or where flammable gases or vapors are likely to be present.

Features

- **No external conduit or cable seals required** making installations faster, easier, and less costly.
- The PlexPower™ enclosed breaker features a ground-breaking design that incorporates the use of a single breaker housing to minimize the downtime and costs associated with servicing circuit breakers in hazardous locations.
- Standard, off-the-shelf breakers are used and the lighter weight enclosures can be quickly opened in the field for easier servicing. There are no special breakers to buy.
- Standard configuration includes external actuator and a non-window door. Factory installed options include window door, internal actuator or alternate enclosure sizes and orientations.
- Enclosure can be easily field punched for cable glands or conduit hubs. Optional gland plates available and must be ordered with the enclosure for factory installation.
- Circuit breaker available in 2- or 3-pole up to 150 Amp range.
- Breaker can be padlocked in either the ON or OFF position.
- Voltage ranges from 120 to 600 volts.
- F-Frame breaker terminal wire range #14-4/0.
- Ground terminal bar provided.
- External ground lug.
- Accommodates standard Cutler-Hammer + F-Frame Series circuit breaker individually contained in its own housing.

Standard Materials

- Enclosure: stainless steel
- Hardware: stainless steel

Options

Must be listed in alphanumeric sequence at the end of the catalog number.
 (Contact your local representative for price and availability.)

- Drain and breather add suffix —**DV**.
- LED indicator lights add suffix —**IL**.
- External actuation add suffix —**EXT**.
- Heater add suffix —**HTR**.
- For Class I, Zone 1 certification add suffix —**HTRF**.
- Ground neutral bar add suffix —**GN**.
- Standard neutral bar add suffix —**NB**.
- Gland plate add suffix —**GPL** = left side, —**GPR** = right side, —**GPT** = top, —**GPB** = bottom.
- Door padlocking provision add suffix —**P**.
- Phenolic nameplate (specify legend) add suffix —**NP**.
- Stainless steel nameplate (specify legend) add suffix —**SP**.
- Window door add suffix —**W**.



External Actuation Shown

NEC/CEC Certifications and Compliances

- UL Standard: 67, 1203, 1604
- CSA Standard: C22.2: Nos. 29, 213
- CSA Certified: 150241

Related Products

- Additional PlexPower™ products:
 - PlexPower™ Factory Sealed Panelboard
 - PlexPower™ Fused Factory Sealed Panelboard
 - PlexPower™ Contactor and Motor Starters

① Certification only applies without drain/breather.

② IP66, Type 4X Certification only applies with drain/breather.

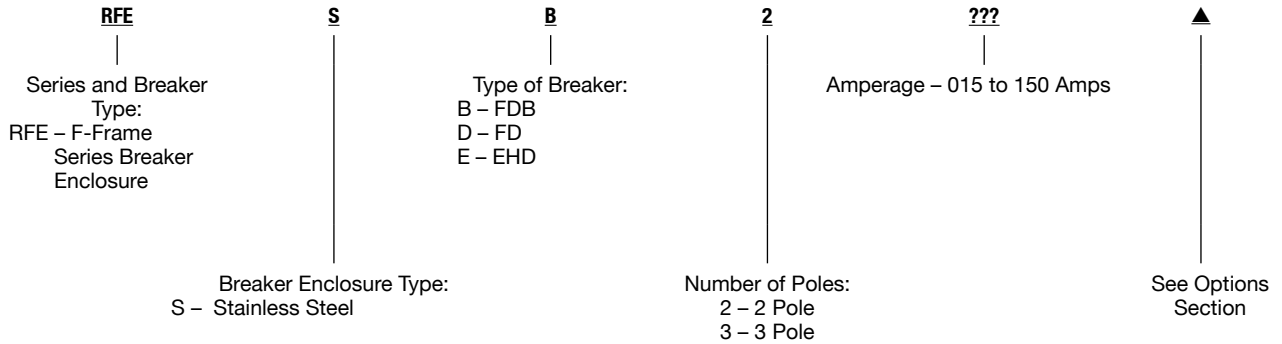
+ Cutler-Hammer is a registered trademark of Eaton Corporation.

PlexPower™ Factory Sealed Enclosed Circuit Breakers

Stainless Steel Enclosures

NEC/CEC:
 Class I, Zone 1, AEx de IIB+H₂ T5
 Ex de IIB+H₂ T5
 Class I, Division 2, Groups B, C, D
 Class II, Division 1, Groups F, G ①
 Class III ①
 IP66, Type 4X ②

Catalog Numbering Guide



Enclosure Specifications

Material	Size	Enclosure Dimensions in Millimeters (Inches) (H x W x D)	Max Amperage
Stainless Steel	A	370 x 370 x 200 (14.5 x 14.5 x 7.9)	Up to 60 Amp
	B	560 x 370 x 200 (22.0 x 14.5 x 7.9)	Up to 150 Amp

▲ To complete the catalog number please add the appropriate suffix for other options/features. These suffixes can be found under Options.

PlexPower™ Factory Sealed Enclosed Circuit Breaker

Stainless Steel Enclosures

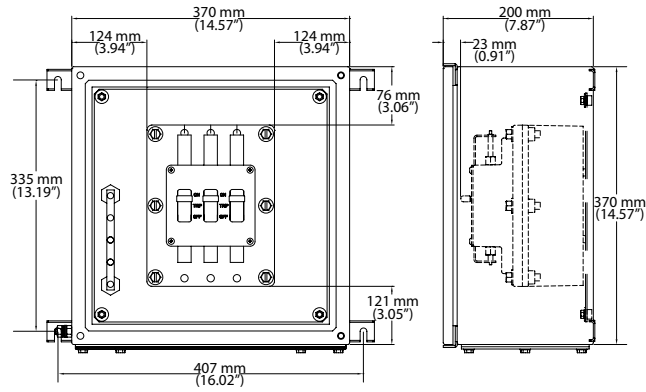
APPLETON™

DISTRIBUTION EQUIPMENT: NEC/CEC, ATEX/IECEx FLAMEPROOF CIRCUIT BREAKERS

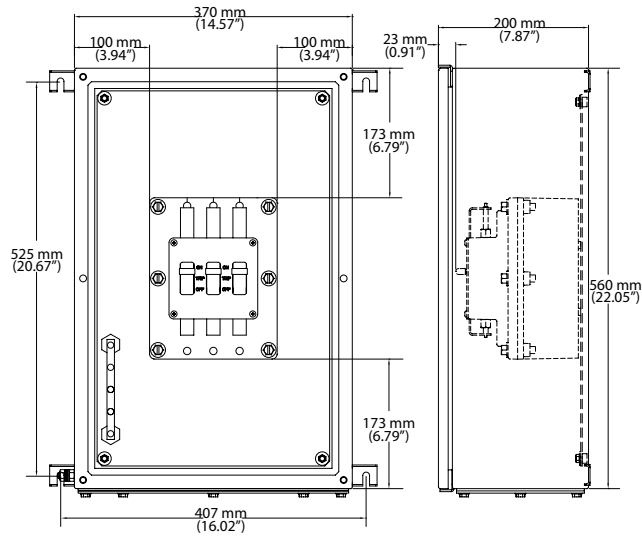
NEC/CEC:
 Class I, Zone 1, AEx de IIB+H₂ T5
 Ex de IIB+H₂ T5
 Class I, Division 2, Groups B, C, D
 Class II, Division 1, Groups F, G ①
 Class III ①
 IP66, Type 4X ②

Dimensions in Millimeters (Inches)

Size A 3-Pole Circuit F-Frame



Size B 3-Pole Circuit F-Frame



(Used as a main breaker in the position shown)