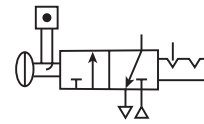


Modular Ball Valve



Symbol



- Positive bubble tight shut-off
- 90° turn handle to prevent unauthorized adjustment
- Padlockable (up to 6 times)
- When the inlet pressure is turned off the downstream vents through the exhaust port

Ball / Lockout Valve shuts off downstream line pressure in the closed position with a 90° turn of the handle. In the closed position, inlet air pressure is blocked and downstream / system air is exhausted through a threaded port. To prevent unauthorized adjustment, the padlock slide may be assembled on either side. It is recommended that this slide is installed after final system assembly.

The Safety Lockout valves conform to OSHA #29 CFR part 1910 – control of hazardous energy source (lockout / tagout).

Options

V90		-	0	6	-	B	0	0	0
Series	Ball Valve V90	Thread type*	NPT 0 BSPP C	Port size	3/4 6 1 8	Option	B Ball		

*Note: For 1-1/2" ported unit, please order P3YKA*BCP port block kit separately.
Bold items are most common.

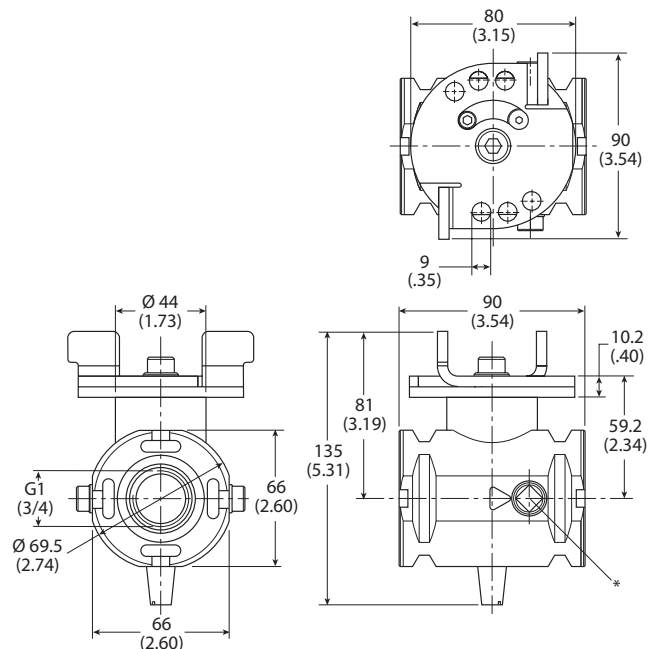
Specifications

Flow capacity	3/4" 333 dm ³ /s (705.6 scfm)	
	1" 333 dm ³ /s (705.6 scfm)	
Max. pressure air pilot operated	17.5 bar (254 psig)	
Operating temperature	-10°C to 60°C (14°F to 140°F)	
Weight	3/4" 1.1 kg (2.4 lb)	
	1" 1.1 kg (2.4 lb)	

Material Specifications

Body	Aluminum
Valve ball	Brass / Nickle plated
Handle	Aluminum
Seals	Nitrile NBR
Exhaust silencer	Sintered bronze

Dimensions mm (inches)



Modular Manifold



90 Series Manifolds provide up to 4 extra outlet ports. They may be assembled at any position in a combination e.g. before the lubricator to provide oil free take off or at the end of a combination to provide extra outlet ports.

Thread type	Part number
NPT	P3YMA9V0N
BSPP	P3YMA1V0N

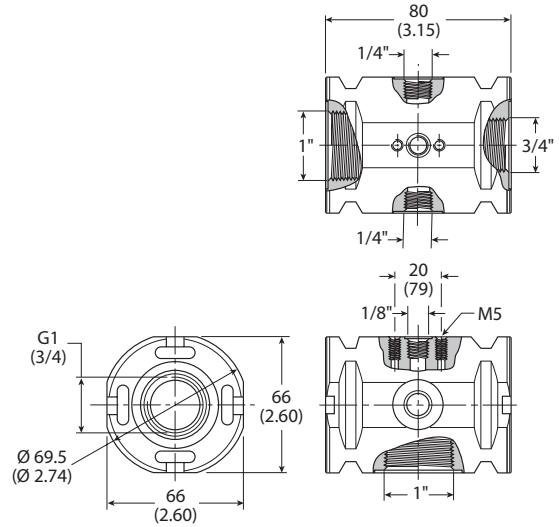
Port sizes

Inlet port	Top	Bottom	Front and Back
3/4"	1/8"	1"	1/4"
1"	1/8"	1"	1/4"

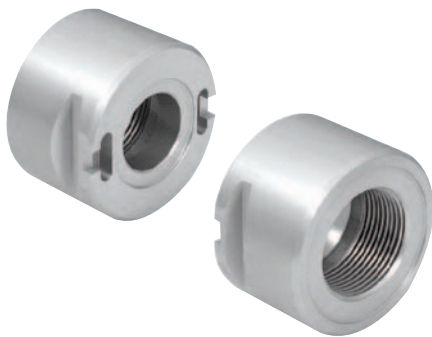
Material specifications

Body	Aluminum
Weight	0.7 kg (1.5 lb)

Dimensions mm (inches)



Optional Port Block Kits



- To change port sizes Port Block Kits are available, they are attached to any unit utilizing the connecting kit.
- Allows assemblies to be removed from a hard piped system.

Material specifications

Body	Aluminum
Weight	0.65 kg (1.43 lb)

Options:

P3YKA			9			B			CP		
Basic series			Thread type			Port size					
Port Blocks P3YKA			BSPP 1			1-1/2 B					
			NPT 9								

