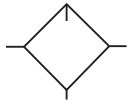


Lubricator L32 EconOmist™

= "Most Popular"



L32-08-000

Specifications

Flow Capacity*	1	374 SCFM (176.4 dm ³ /s)
Maximum Supply Pressure		200 PSIG (13.8 bar)
Operating Temperature		32° to 150°F (0° to 65.5°C)
Port Size	NPT / BSPP-G	1
Bowl Capacity		208.0 oz
Weight		18 lb. (8.2 kg)

* Inlet pressure 120 PSIG (8.3 bar). Pressure drop 5 PSID (0.3 bar).

Materials of Construction

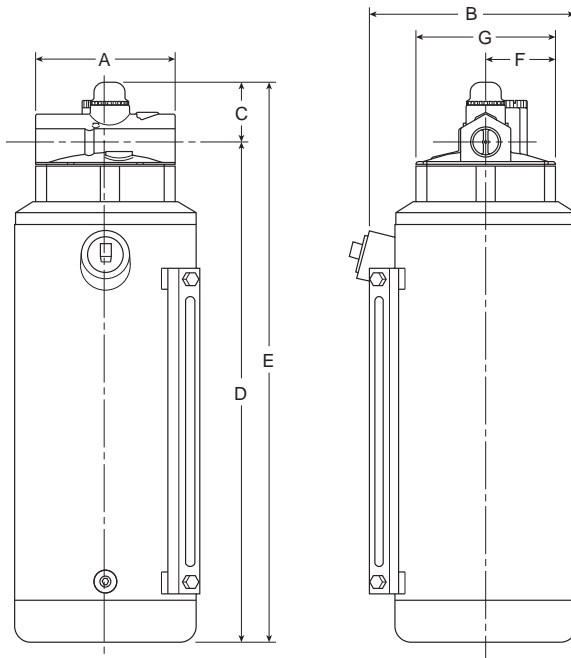
Body	Zinc
Bowl	Steel (Welded)
Seals	Fluorocarbon
Sight Dome	Nylon
Sight Gauge	Tempered Safety Glass
Suggested Lubricant	Airline Oil F442001

B

Filters, Regulators, Lubricators

Features

- Full View Sight Dome
- Siphon Tube Filter Provides Clean Lubricant Downstream
- Adjustable Oil Feed
- Metal Bowl with Sight Gauge Standard
- Manual Drain Standard
- Can be Filled while Under Pressure



Dimensions

Models	Inches (mm)	A	B	C	D	E	F	G
Standard Unit L32-XX-000		4.63 (117)	8.30 (211)	1.98 (50)	16.54 (420)	18.52 (470)	3.00 (76.2)	4.63 (117)

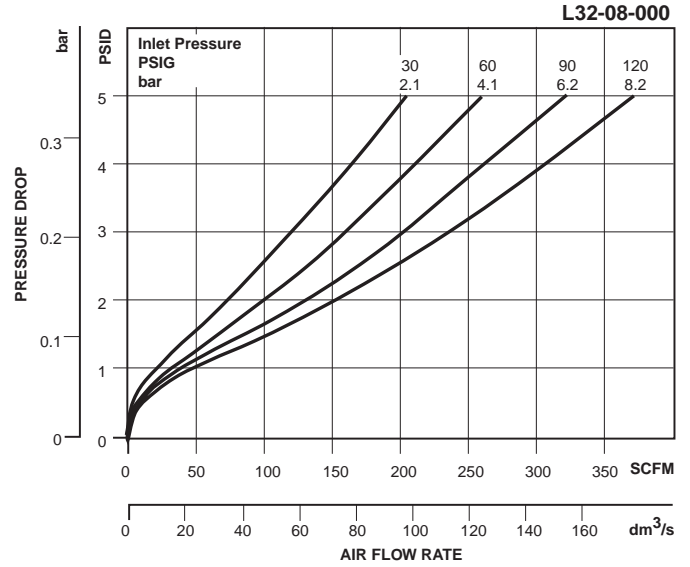
= "Most Popular"

Replacement Kits

- Fill Plug Kit – Fill Plug and O-ring LRP-95-253
- Flow Guide, 1 NPT / BSPP-G LRP-95-190
- Sight Dome Kit – Sight Dome and O-ring LRP-95-249

Accessories

- Air Line Oil (4 Gal. Case)..... F442005
- Force Fill Adapter..... GRP-96-394
- Manual Drain, Brass Petcock GRP-95-182
- Tamper Resistant Kit..... LRP-95-587
- Wall Mounting Bracket, U-Bolt Pipe Clamp..... GRP-95-734



B

Filters, Regulators, Lubricators

Ordering Information

Model Type	Port Size	Metal Bowl with Sight Gauge and Manual Drain
EconOmist™	1	L32-08-000

Options - To order an option supplied with the unit model, add the appropriate coded suffix letter in the designated position of the model number.