

2/2 or 3/2 way Rocker-Solenoid Valve with separating diaphragm



Type 6126 can be combined with...



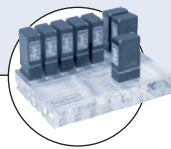
Type 2506

Cable plug Form C



Type 2505

Rectangular cable plug



Manifolds

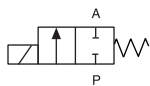
- Valve with isolating diaphragm
- Compact design with 16 mm width and Cv ratings up to 0.058
- Flexible design for custom manifold assemblies
- High back pressure tightness, excellent cleanability and 100 % duty cycle
- Normally closed, normally open and universal function

The direct-acting rocker solenoid valve, Type 6126, is suitable for general applications in which compressed air, gases or slightly contaminated liquids are to be switched.

The medium is in contact exclusively with the housing material and the FKM seals. The heat input in the medium is minimal, because the housing is separated from the coil by a stainless steel plate.

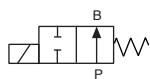
The valves can be mounted directly or also single or manifold mounted. They are used for dosing, filling, mixing and distributing small quantities of medium.

Circuit function A



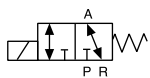
2/2-way valve,
direct-acting,
normally closed

Circuit function B



2/2-way valve,
direct-acting,
normally open

Circuit function T



3/2-way valve,
direct-acting,
universal functions

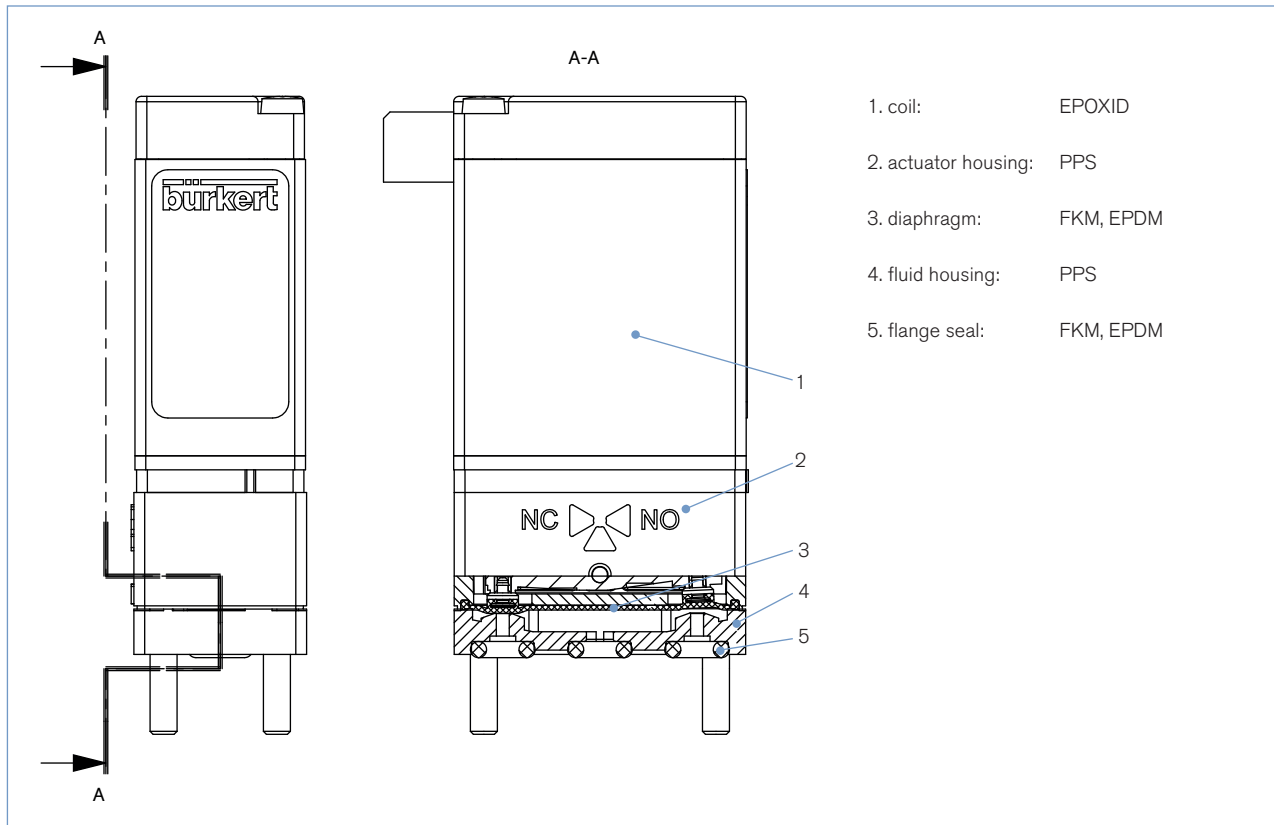
Technical data	
Orifice [mm]	DN 0.8 - 1.6 (for details see ordering chart)
Body material	PPS
Seal material	FKM, EPDM
Medium	Resistant to neutral liquids and gases (see Bürkert chemical resistance chart)
Media temperature	-10 to 55 °C ¹⁾
Ambient temperature	max. 55 °C
Viscosity	max. 21 mm ² /S
Internal volume with sub-base on request	starting at 44 µl < 10 µl ²⁾
Port connection	Bürkert sub-base (16 x 27 mm)
Electrical connection	Cable plug Type 2505 Tag connector acc. DIN 43650 C for Cable plug Type 2506 above 2 FEP-Flying leads, AWG24, length 500 mm ³⁾
Operating voltage	12 and 24 V/DC; other Voltages on request
Voltage tolerance	± 10 %
Power consumption	3.4 W
Duty cycle	continuous rating 100 % ED
Installation	as required, preferably with actuator upright
Protection class	IP 65 with flying leads or cable plug IP 40 with Rectangular plug
Response times	acc. ISO 12238:2001; Measured at valve outlet at 2 bar and +20 °C Opening Closing

¹⁾ Temperature may vary depending on orifice and seal material. For further information see on page 2.

²⁾ The internal volume can vary depending on the housing. For further information see on page 2.

³⁾ Other electric connectors and other cable lengths upon request.

Materials



Detailed medium temperature (depending on material and orifice)

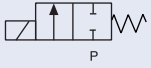
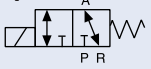
	Orifice	Seal material	Temperature range
media temperature	DN 0.8	FKM	0 to +50 °C
	DN 0.8	EPDM	-5 to +50 °C
	DN 1.2 & 1.6	FKM	+5 to +50 °C
	DN 1.2 & 1.6	EPDM	0 to +50 °C
media temperature with limitation on switching time and life expectancy	DN 0.8	FKM	-5 to +55 °C
	DN 0.8	EPDM	-10 to +50 °C
	DN 1.2 & 1.6 ¹⁾	FKM	0 to +55 °C
	DN 1.2 & 1.6	EPDM	-5 to +50 °C

¹⁾ upon request up to -15 °C available.

Detailed internal volume (depending on fluid housing)

Body	2-way low dead volume		2-way		3-way	
	fluid chamber	total	fluid chamber	total	fluid chamber	total
sub-base	44 µl	54 µl	97 µl	106 µl	90 µl	106 µl

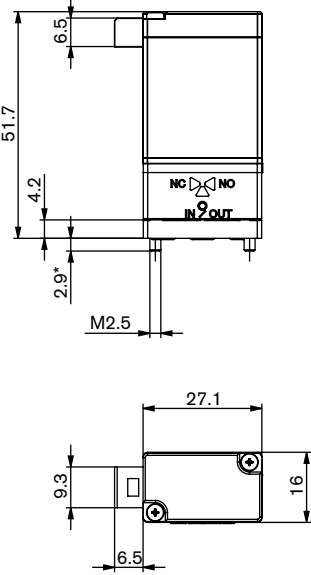
Ordering chart for Typ 6126

Circuit function	Orifice [mm]	Port connection	Kv value water [m ³ /h]	Cv value water [gal/min]	Q _{90%} value air [l/min]	Pressure range [bar]	Seal material	Fluid housing material	Electrical connection	Voltage/frequency [V/Hz]	Item no.
A  2/2-way valve, direct-acting, normally closed	0.8	sub-base	0.015	0.017	16	Vak 0-6	FKM	PPS	Tag connector to side	012/DC	139 151
										024/DC	139 088
									Rectangular plug	024/DC	139 236
									Tag connector to side	012/DC	139 154
							EPDM		024/DC	139 155	
T  3/2-way valve, direct acting, universal functions	0.8	sub-base	0.015	0.017	16	Vak 0-6	FKM	PPS	Tag connector to side	012/DC	139 158
										024/DC	139 159
									Rectangular plug	024/DC	139 237
									Tag connector to side	012/DC	139 162
							EPDM		024/DC	139 163	

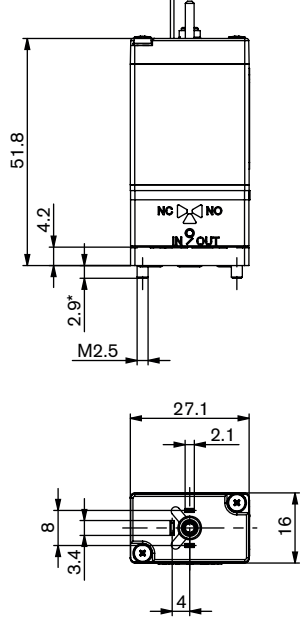
i Other versions on request

Dimensions [mm]

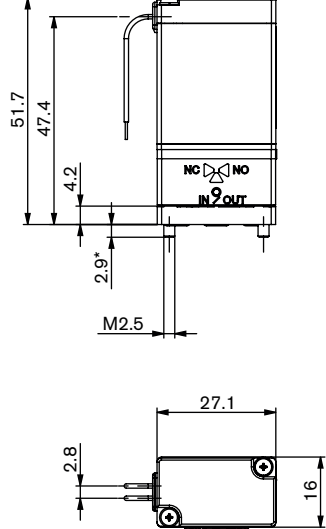
Manifold mount version with rectangular plug



Manifold mount version for cable plug



Manifold mount version with flying leads



Classification of fluid connections

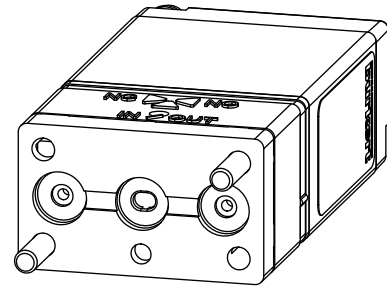
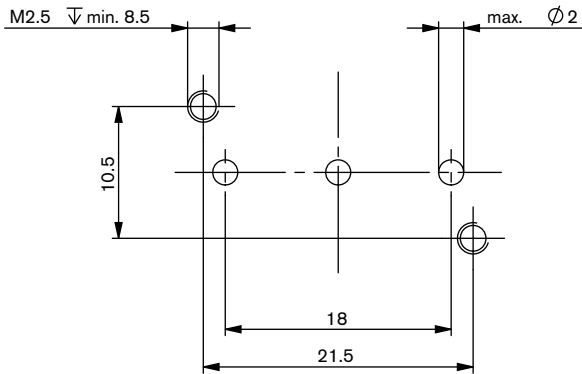
- 2/2-way-valve, normally closed (circuit function A)
inflow at "NC"-connector
- 2/2-way-valve, normally closed (circuit function B)
inflow at "NO"-connector
- 3/2-way-valve, normally open (circuit function T)
inflow at "NO"-connector

Flange interfaces at page 4.

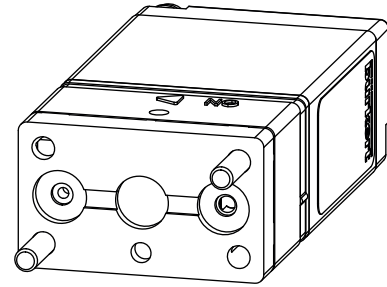
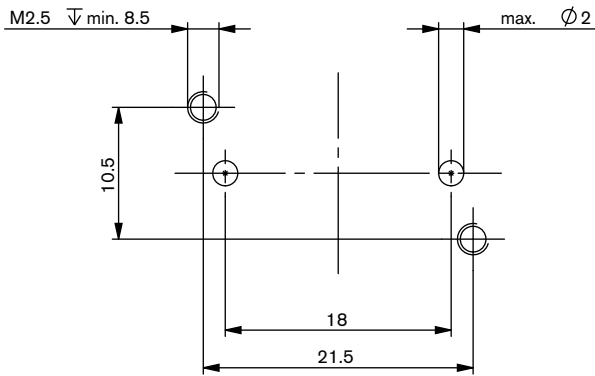
* Other screw length on request.
Self-tapping screws on request.
When selecting a connection plate the screw head overlap has to be considered.

Overview flange interfaces 16 x 27 mm

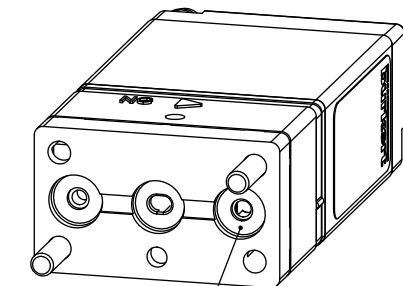
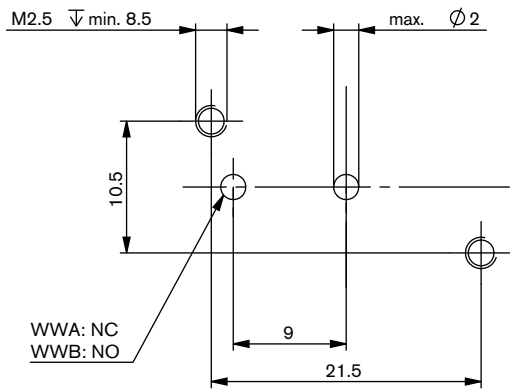
bürkert flange interface FB23 - 3-way (standard)



bürkert flange interface FB43 - 2-way (standard)



bürkert flange interface FB33 - 2-way (low dead volume). not in ordering chart - on request






hole not in use

i On request available with anti-twist device

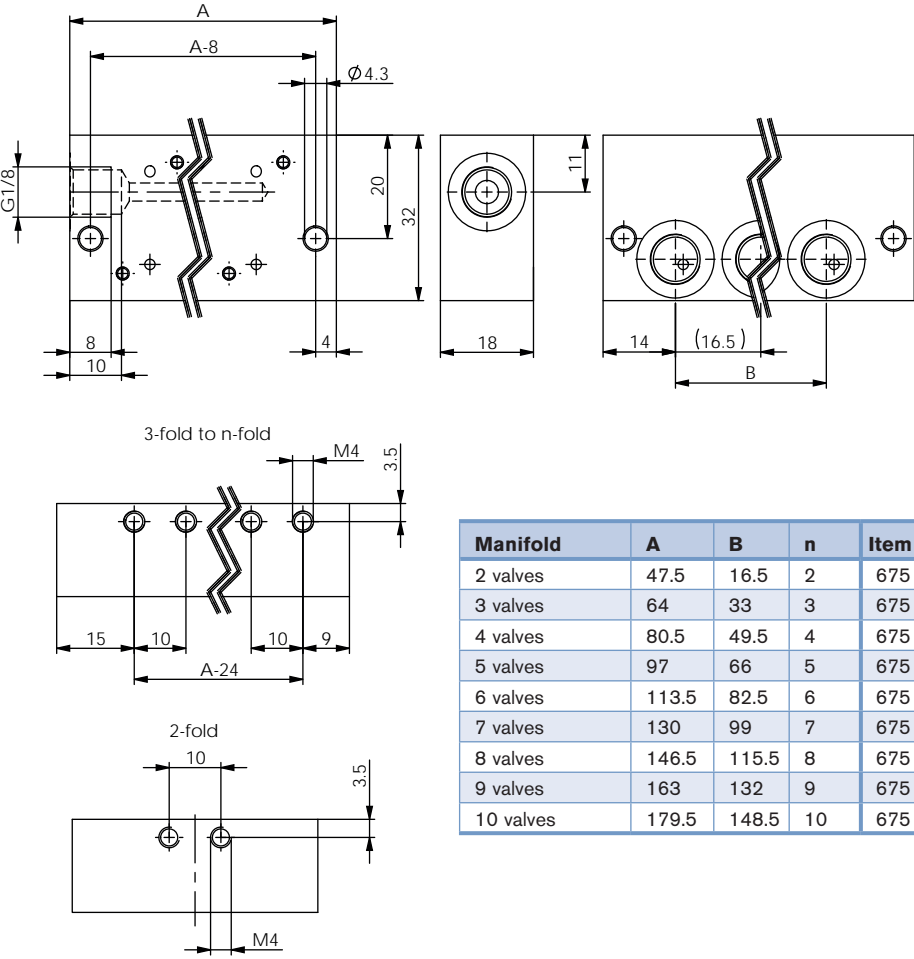
Ordering chart for Accessories

Cable plug type 2506 acc. DIN EN 175301-803 Form C, with flat seal and fixing screw, without cable.

	Cable plug Type 2506	Voltage	Item no.
	without circuit	0-250V/UC	008 353
	with LED	12-24V/DC	008 402
	with LED and varistor	12-24V/DC	008 408
	with rectifier, LED and varistor	12-24V/UC	008 354

	Rectangular plug type 2505	Item no.
	with 3m cable	252 572
	with 300mm leads	262 346

Manifolds in PPS for Bürkert flange interface 16 x 27 2-way [mm]



Manifold	A	B	n	Item no.
2 valves	47.5	16.5	2	675 628
3 valves	64	33	3	675 629
4 valves	80.5	49.5	4	675 630
5 valves	97	66	5	675 631
6 valves	113.5	82.5	6	675 632
7 valves	130	99	7	675 633
8 valves	146.5	115.5	8	675 634
9 valves	163	132	9	675 635
10 valves	179.5	148.5	10	675 636

Manifolds in aluminium for Bürkert flange interface 16 x 27 3-way [mm]

Manifold	A	B	n	Item no.
2 valves	63	18	2	658 695
3 valves	81	36	3	658 696
4 valves	99	54	4	658 697
5 valves	117	72	5	658 698
6 valves	135	90	6	658 699
8 valves	171	126	8	658 700
10 valves	207	162	10	658 701
12 valves	243	198	12	658 703

Single manifolds in aluminium for Bürkert flange interface 16 x 27 [mm]

Manifold made from aluminium, black anodized,
Port connection M5

Item no.
623 873

Manifold made from aluminium, black anodized,
Port connection G 1/8

Item no.
634 917

i Caution: Pay attention to the coil fixing screw lenght to avoid overrun

To find your nearest Bürkert facility, click on the orange box → www.burkert.com

In case of special application conditions,
please consult for advice.

Subject to alteration.
© Christian Bürkert GmbH & Co. KG

1509/3_EU-en_00891746