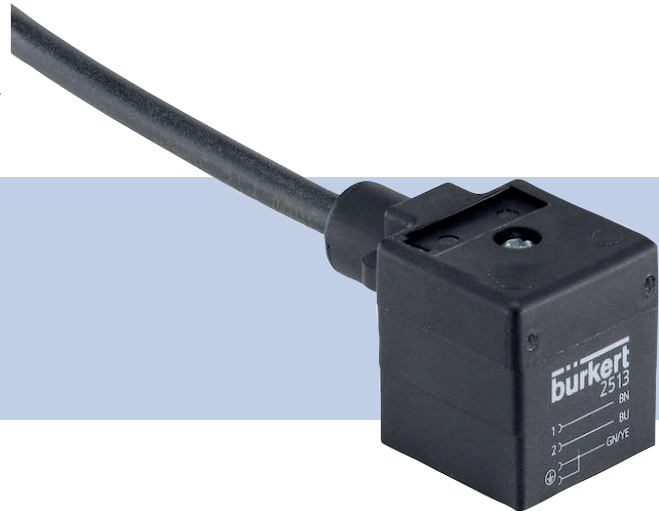


Type 2513

Device socket according to DIN EN 175301-803, shape A
Gerätesteckdose nach DIN EN 175301-803, Form A
Prise d'appareil suivant DIN EN 175301-803, forme A



Operating Instructions

Bedienungsanleitung

Manuel d'utilisation

1 OPERATING INSTRUCTIONS

The operating instructions contain important information.

- ▶ Read the instructions carefully and follow the safety instructions in particular, and also observe the operating conditions.
- ▶ Instructions must be available to each user.
- ▶ The liability and warranty for Type 2513 are void if the operating instructions are not followed.

1.1 Symbols

- ▶ Designates an instruction to prevent risks.
- designates a procedure which you must carry out.

Warning of injuries:



DANGER!

Imminent danger. Serious or fatal injuries.



WARNING!

Potential danger. Serious or fatal injuries.



CAUTION!

Danger. Minor or moderately severe injuries.

Warns of damage to property:

NOTE!

2 INTENDED USE

Incorrect use of the solenoid valve Type 2513 can be dangerous to people, nearby equipment and the environment.

- ▶ Use according to the permitted data, operating conditions and conditions of use specified in the contract documents and operating instructions.
- ▶ Correct transportation, correct storage and installation and careful use and maintenance are essential for reliable and problem-free operation.

3 APPROVAL

The device socket meets the requirements of ATEX Cat. 3 and is therefore approved for use in Zone 2/22.

4 BASIC SAFETY INSTRUCTIONS

These safety instructions do not make allowance for any contingencies and events which may arise during installation, operation and maintenance.



Risk of electric shock.

- ▶ Before reaching into the system, switch off the power supply and secure to prevent reactivation.
- ▶ Observe applicable accident prevention and safety regulations for electrical equipment.

General hazardous situations.

- ▶ The device may be operated only when in perfect condition and in consideration of the operating instructions.
- ▶ The general rules of technology apply to application planning and operation of the device.
- ▶ The device socket must not be exposed to corrosive environments. If necessary, consult with the responsible contact persons.
- ▶ Do not make any external modifications to the device.
- ▶ Do not subject the actuator housing and cable to mechanical loads (e.g. by placing objects on it or standing on it).

5 GENERAL INFORMATION

5.1 Contact address

Germany

Bürkert Fluid Control Systems
Sales Center
Chr.-Bürkert-Str. 13-17
D-74653 Ingelfingen
Tel. + 49 (0) 7940 - 10 91 111
Fax + 49 (0) 7940 - 10 91 448
E-mail: info@de.buerkert.com

International

Contact addresses can be found on the final pages of the printed brief instructions. And also on the internet at: www.burkert.com

5.2 Warranty

The warranty is only valid if the Type 2513 are used as intended in accordance with the specified application conditions.

5.3 Information on the internet

The operating instructions and data sheets for Type 2513 can be found on the Internet at: www.burkert.com

5.4 Conformity

In accordance with the EC Declaration of conformity, the Type 2513 is compliant with the EC Directives (if applicable).

5.5 Standards

The applied standards, which verify conformity with the EC Directives, can be found on the EC-Type Examination Certificate and / or the EC Declaration of Conformity (if applicable).

6 GENERAL DESCRIPTION

The Type 2513 device socket with a molded cable is used to connect electrical components using the connection diagram according to DIN EN 175301-803 Form A.

7 TECHNICAL DATA

Connection diagram	According to DIN EN 175301-80, Form A
Number of poles	4-pole (2+2 protective conductor)
Cable diameter	5.5-6.5 mm
Wire cross-section	3 x 0.75 mm ²
Bending radius	>= 10x cable diameter
Nominal voltage	max. 230 V AC/DC
Voltage tolerance	max. 10 % U _{nom}
Current carrying capacity	max. 4A
Degree of protection	IP65 in the installed state
Ambient temperature	-30°C to +90°C



WARNING!

- ▶ Only operate the device socket within its technically permissible specification.

8 TYPE LABEL

The ATEX-relevant specifications are affixed to the device socket and the connection line.

260890	II 3G/D	Tamb.	-30°C - 90°C
--------	---------	-------	--------------

Example:

Cable labeling with ID no. and ATEX marking.

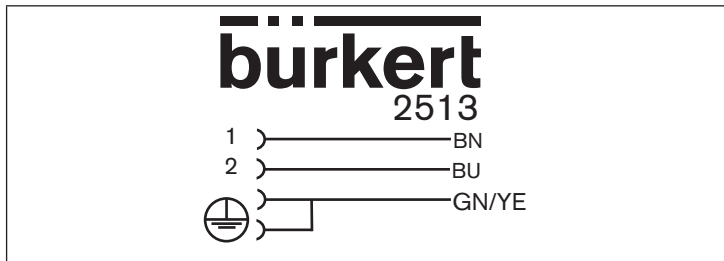


Fig. 1: Markings on device socket

9 INSTALLATION



WARNING!

Risk of injury from improper montage.

- ▶ Installation may be carried out by authorised technicians only and with the appropriate tools.
- ▶ Secure system from unintentional activation.
- ▶ Following montage, ensure a controlled restart.

Danger – high pressure in the equipment.

- ▶ Before loosening the lines and valves, turn off the pressure and vent the lines.

Risk of injury due to damaged device sockets

- ▶ Use undamaged device sockets only.

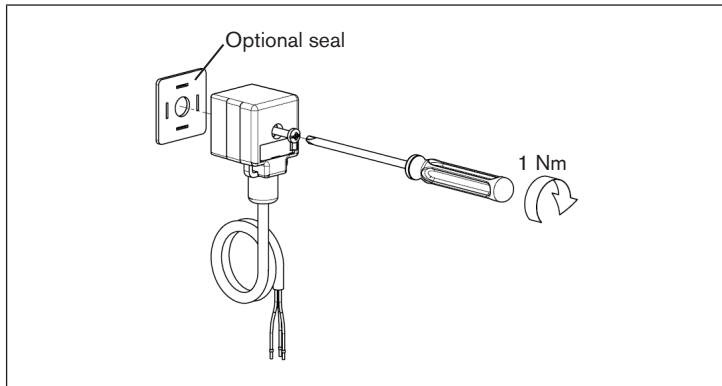


Fig. 2: Installing the cable plug

9.1 Electrical installation



WARNING!

Risk of injury due to electrical shock.

- ▶ Before reaching into the system, switch off the power supply and secure to prevent reactivation.

- ▶ Observe applicable accident prevention and safety regulations for electrical equipment.
- ▶ Always connect protective conductor.
- ▶ Check electrical continuity between coil and body.

10 DISASSEMBLY



DANGER!

- ▶ The component may only be disassembled in the de-energized state.



WARNING!

- ▶ Before reaching into the system, switch off the power supply and secure to prevent reactivation.
- ▶ Observe applicable accident prevention and safety regulations for electrical equipment.

10.1 MAINTENANCE



WARNING!

Risk of injury from improper maintenance.

- ▶ Installation may be carried out by authorized technicians only and with the appropriate tools.

Risk of injury from unintentional activation of the system and an uncontrolled restart.

- ▶ Secure system from unintentional activation.
- ▶ Following maintenance, ensure a controlled restart.



DANGER!

Danger of explosion due to electrical charge.

- ▶ Only clean the device surface by gently wiping with a moist or anti-static cloth.

NOTE!

- ▶ The device is maintenance-free during normal operation, provided that it is operated within its specification.

11 MAINTENANCE AND MALFUNCTIONS

In the event of malfunctions, please check the voltage at the supply device. Contact your Bürkert Service partner if this does not rectify the fault. Do not attempt to repair the device socket yourself.

12 TRANSPORT, STORAGE, DISPOSAL

NOTE!

Transport damages.

Inadequately protected equipment may be damaged during transport.

- During transportation protect the device against wet and dirt in shock-resistant packaging.
- Avoid exceeding or dropping below the allowable storage temperature.

Incorrect storage may damage the device.

- Store the device in a dry and dust-free location!
- Storage temperature: -30 - 90 °C.

Damage to the environment caused by device components contaminated with media.

- Observe applicable regulations on disposal and the environment.

Bürkert Fluid Control Systems
Sales Center
Christian-Bürkert-Str. 13-17
D-74653 Ingelfingen
Tel. + 49 (0) 7940 - 10 91 111
Fax + 49 (0) 7940 - 10 91 448
E-mail: info@de.buerkert.com

International address

www.burkert.com → Bürkert → Company → Locations

Manuals and data sheets on the Internet : www.burkert.com

Bedienungsanleitungen und Datenblätter im Internet: www.buerkert.de

Instructions de service et fiches techniques sur Internet: www.buerkert.fr

© Bürkert Werke GmbH & Co. KG, 2011 - 2017

Operating Instructions 1706/008F / Original DE

www.burkert.com