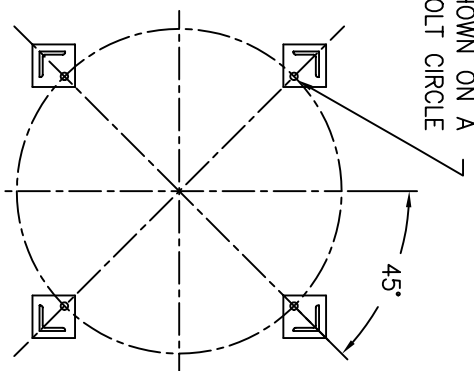


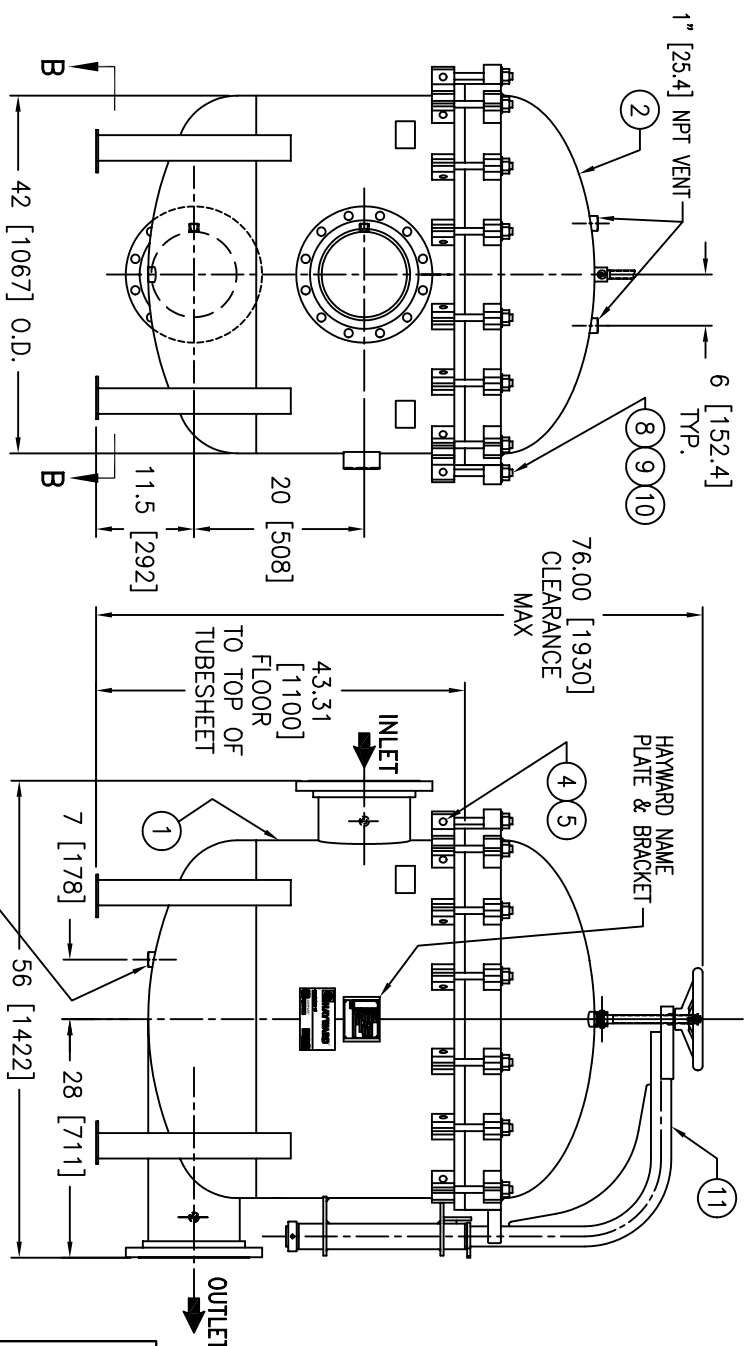
(4) 7/8" ϕ [22 ϕ] BOLT HOLES
 LOCATED AS SHOWN ON A
 38.13 ϕ [969 ϕ] BOLT CIRCLE



ITEM	PART NAME	MATERIAL
1	BODY	SA240 316/316L
2	COVER	SA240 316/316L
3	O-RING	BUNA-N
4	PIN	SA193 B7 ZINC PL
5	SNAP RING	STEEL ZINC PL
6	BASKET RESTRAINER	316 SS
7	FILTER BAG RETAINER	316 SS
8	EYE BOLT	SA193 B7 ZINC PL
9	HEX NUT	SA194 2H ZINC PL
10	WASHER	STEEL ZINC PL
11	DAVIT ASSEMBLY	CARBON STEEL

NOTES:

- UNITS ARE TO BE DESIGNED, FABRICATED & "U" STAMPED IN ACCORDANCE WITH ASME SECT. VIII, DIV. 1 BOILER & PRESSURE VESSEL CODE, IN COMPLIANCE TO LATEST ADDENDA.
- INLET / OUTLET FLANGE CONNECTIONS PER ANSI B 16.5.
- DESIGN PRESSURE: 150 PSI (MAMP)
 DESIGN TEMPERATURE 250° F.
 MDMT - -20° F @ 150 PSI.
- ALL DIMENSIONS ARE IN INCHES / (MM).
- ALL BOLT HOLES ARE TO STRADDLE NATURAL CENTERLINES.
- APPROX. WEIGHT (DRY) 1800 LB. (816 KG.)



CERTIFIED FOR:
 P.O. NO.:
 REG. NO.:
 QUOTE NO.:
 TAG NO.:
 VESSEL CODE: MBF-1402-AB10-100A-UT-11HD
 PART NUMBER: F3AV14000003



EATON FILTRATION, LLC
 900 FAIRMOUNT AVENUE, ELIZABETH, NEW JERSEY 07207
 NAME MAXILINE MBF1402HD FILTER VESSEL
 10" 150# RF INLET / TANGENTIAL OUTLET
 STAINLESS STEEL

UNAUTHORIZED USE, MANUFACTURE OR REPRODUCTION IN WHOLE OR IN PART IS PROHIBITED. DRAWING, DESIGN AND OTHER DISCLOSURES PROPERTY OF EATON FILTRATION, LLC

ELECTRONIC FILE NAME: HD1410TS.DWG
 REF. ECR D666 DATE 01/23/06

DATE	BY	DATE	REV
11/21/00	VA	1/24/01	C

SIZE A DWG NO. HD1410TS