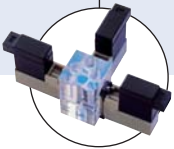




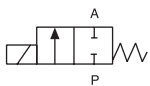
Type 6124 can be combined with...



#### Manifolds

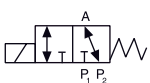
Thanks to the patented Bürkert flipper technology, the direct-acting Type 6124 solenoid valve is unique. It combines fast, precise switching behaviour with reliable media separation, and the design eliminates heat transfer between fluid and coil. FKM and PEEK allows the use of neutral and slightly aggressive fluids. The optional impulse model works with the smallest energy requirement, and is therefore especially suitable for battery operation; the heat transfer to the medium is negligible for this model. A minimal dead volume and gap-free internal design make it possible to use it in medical, analytical and laboratory technology.

#### Circuit function A



2/2-way valve, NC

#### Circuit function T



3/2-way valve,  
universal function

## 2/2 and 3/2-way Flipper Solenoid Valve, with hermetic isolation of fluid

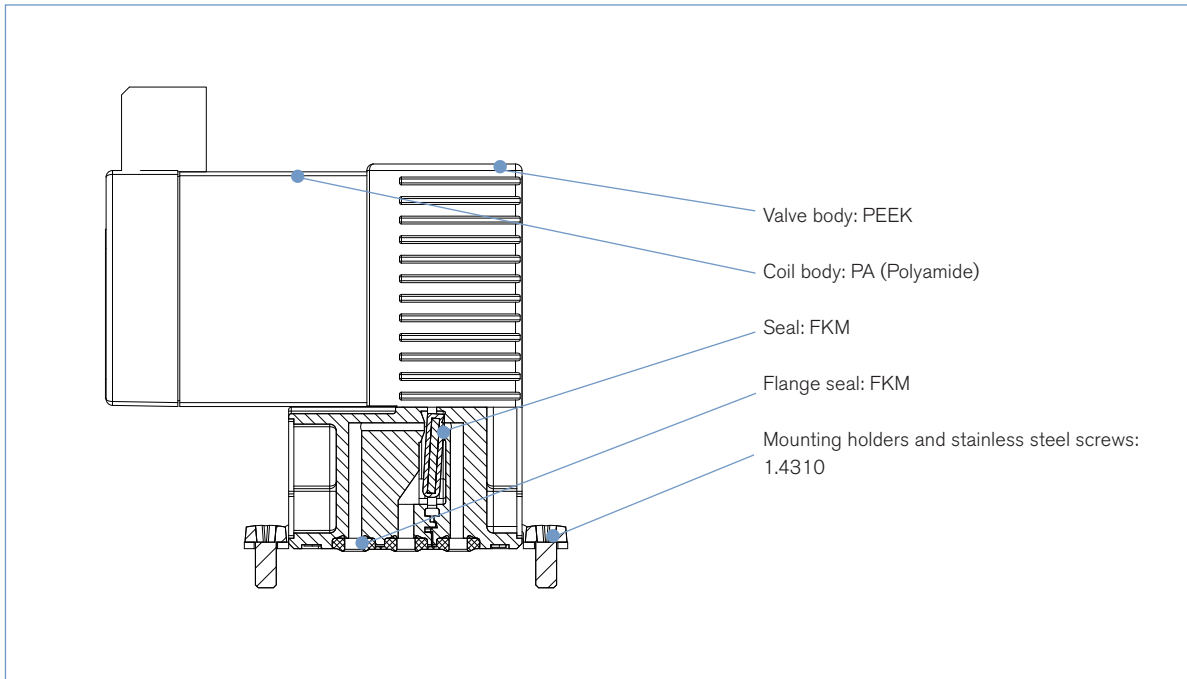
- Low internal volume
- Low power consumption
- High back pressure tightness
- Optional impulse model
- DN 0.6 mm

#### Technical data

|   |   |
|---|---|
| <b>Orifice</b>  | DN 0.6 mm   |
| <b>Body material</b>  | PEEK  |
| <b>Seal material</b>  | FKM   |
| <b>Medium</b>   | Resistant to neutral and slightly aggressive liquids and gases; see Burkert chemical resistance chart |
| <b>Medium temperature</b>   | 0 to +50 °C   |
| <b>Ambient temperature</b>  | Max. +55 °C   |
| <b>Viscosity</b>  | Max. 21 mm <sup>2</sup> /s  |
| <b>Internal volume</b>  |   |
| Fluid chamber   | Approx. 15µl  |
| 3/2-way versions  | Approx. 45µl  |
| 2/2-way versions  | Approx. 35µl  |
| <b>Port connection</b>  | Flange<br>UNF 1/4" - 28,<br>Tube spigot sideways  |
| <b>Manual override</b>  | Push manual override, non-locking   |
| <b>Operating voltage</b>  | 6, 12, 24 V/DC *  |
| <b>Voltage tolerance</b>  | ±10%  |
| <b>Power consumption</b>  | 1.5 W   |
| <b>Duty cycle</b>   | 100% continuous rating  |
| <b>Manifold mounting</b><br>(in case Media- or ambient temperature higher +40 °C) | 40% intermittent rating (within 10 min)   |
| <b>Cycling function</b>   | Monostable or bistable (option)   |
| <b>Electrical connections</b>   | Rectangular plug or 2 single flying leads, 300 mm   |
| <b>Protection class</b>   | IP 40   |
| <b>Mounting</b> (sub-base valve)  | with holders and mounting screw   |
| <b>Installation</b>   | As required, preferably with flange downwards   |

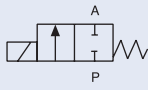

\* 10% residual ripple permissible

## Materials



### Ordering chart with flange connection (other versions on request)

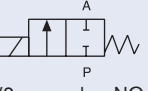
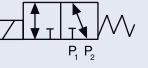
All valves with PEEK body and FKM seal, rectangular plug types delivered without plug (see Accessories).  
The delivery of each valve includes 2 holders with cross head M 1.6 x 5 screws.

| Circuit function   | Orifice [mm] | Kv value water [m <sup>3</sup> /h] | Kv value II water [l/min] | QNn value air [l/min] | Pressure range [bar] | Cycling function        | Voltage/Frequency [V/Hz] | Electrical connection    | Item no. |  |  |  |                      |         |
|--|--------------|------------------------------------|---------------------------|-----------------------|----------------------|-------------------------|--------------------------|--------------------------|----------|--|--|--|----------------------|---------|
| <b>A</b><br><br>2/2-way valve, NC                 | 0.6          | 0.006                              | 0.1                       | 6.4                   | Vac - 3              | monostable              | 12/DC                    | Rectangular plug 5.08 mm | 144 120  |  |  |  |                      |         |
|  |              |                                    |                           |                       |                      |                         |                          | Flying leads, 300 mm     | 144 122  |  |  |  |                      |         |
|  |              |                                    |                           |                       |                      |                         | 24/DC                    | Rectangular plug 5.08 mm | 144 121  |  |  |  |                      |         |
|  |              |                                    |                           |                       |                      |                         |                          |                          |          |  |  |  | Flying leads, 300 mm | 144 123 |
|  |              |                                    |                           |                       |                      | bistable (impuls drive) | 6/DC                     | Flying leads, 300 mm     | 146 175  |  |  |  |                      |         |
|  |              |                                    |                           |                       |                      |                         | 12/DC                    | Rectangular plug 5.08 mm | 143 376  |  |  |  |                      |         |
| Flying leads, 300 mm   | 146 176      |                                    |                           |                       |                      |                         |                          |                          |          |  |  |  |                      |         |
| <b>T</b><br><br>3/2-way valve, universal function | 0.6          | 0.006                              | 0.1                       | 6.4                   | Vac - 3              | monostable              | 12/DC                    | Rectangular plug 5.08 mm | 140 457  |  |  |  |                      |         |
|  |              |                                    |                           |                       |                      |                         |                          | Flying leads, 300 mm     | 140 459  |  |  |  |                      |         |
|  |              |                                    |                           |                       |                      |                         | 24/DC                    | Rectangular plug 5.08 mm | 140 458  |  |  |  |                      |         |
|  |              |                                    |                           |                       |                      |                         |                          |                          |          |  |  |  | Flying leads, 300 mm | 140 460 |
|  |              |                                    |                           |                       |                      | bistable (impuls drive) | 12/DC                    | Rectangular plug 5.08 mm | 142 089  |  |  |  |                      |         |
|  |              |                                    |                           |                       |                      |                         |                          | Flying leads, 300 mm     | 143 171  |  |  |  |                      |         |

### Ordering chart with tube spigots sideways (other versions on request)

Wetted materials PEEK (valve body)+ PA (tube spigot housing) and FKM.

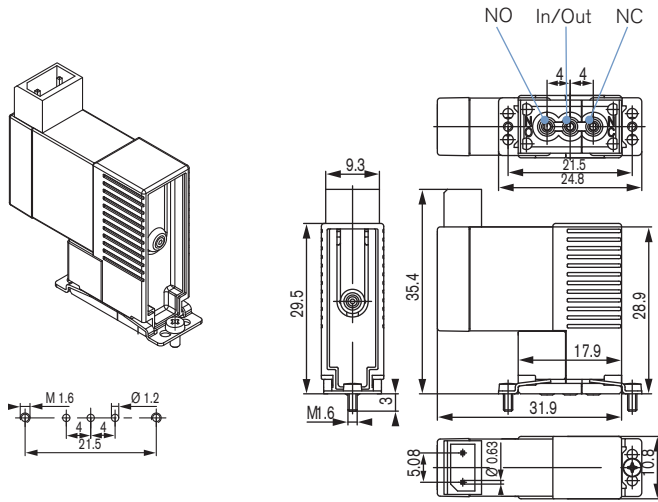
All valves with rectangular plug types delivered without plug (see Accessories)

| Circuit function   | Orifice [mm] | Kv value water [m <sup>3</sup> /h] | Kv value II water [l/min] | QNn value air [l/min] | Pressure range [bar] | Cycling function | Voltage/Frequency [V/Hz] | Electrical connection   | Item no. tube spigots sideways |
|--|--------------|------------------------------------|---------------------------|-----------------------|----------------------|------------------|--------------------------|-------------------------|--------------------------------|
| <b>A</b><br><br>2/2-way valve, NC                 | 0.6          | 0.006                              | 0.1                       | 6.4                   | Vac - 3              | monostable       | 12/DC                    | Rectangular plug 5.08mm | 145 646                        |
|  |              |                                    |                           |                       |                      |                  |                          | Flying leads 300mm      | 145 648                        |
|  |              |                                    |                           |                       |                      |                  | 24/DC                    | Rectangular plug 5.08mm | 145 647                        |
|  |              |                                    |                           |                       |                      |                  |                          | Flying leads 300mm      | 145 649                        |
| <b>T</b><br><br>3/2-way valve, universal function | 0.6          | 0.006                              | 0.1                       | 6.4                   | Vac - 3              | monostable       | 12/DC                    | Rectangular plug 5.08mm | 145 641                        |
|  |              |                                    |                           |                       |                      |                  |                          | Flying leads 300mm      | 145 640                        |
|  |              |                                    |                           |                       |                      |                  | 24/DC                    | Rectangular plug 5.08mm | 145 642                        |
|  |              |                                    |                           |                       |                      |                  |                          | Flying leads 300mm      | 145 643                        |

#### Versions on request:

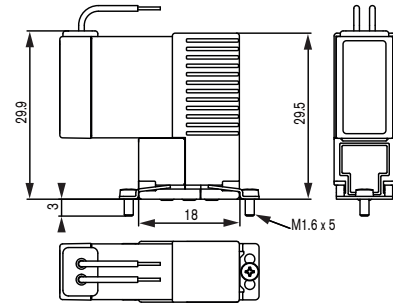
- orifice 0,8 mm
- UNF 1/4"-28 port connections (PEEK)

Dimensions [mm] Valves with tube spigots sideways

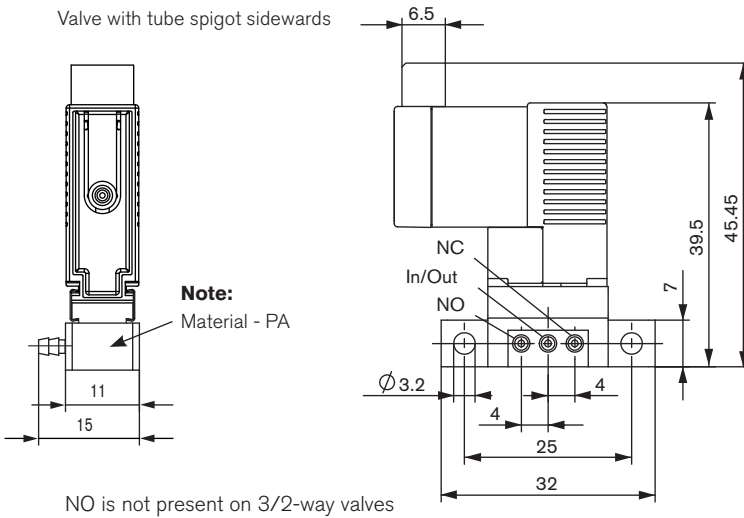


Mounting face for manifold

Valve with rectangular plug and holders

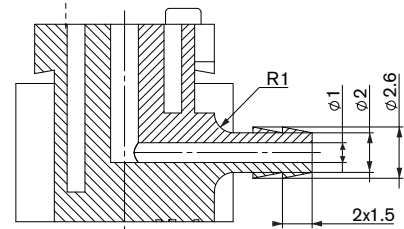


Valve with flying leads and holders

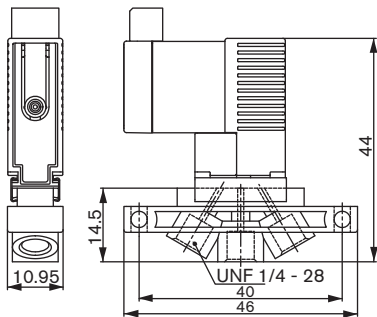


Valve with tube spigot sideways

NO is not present on 3/2-way valves



Tube spigot dimensions



UNF Version - on request

## Ordering chart accessories

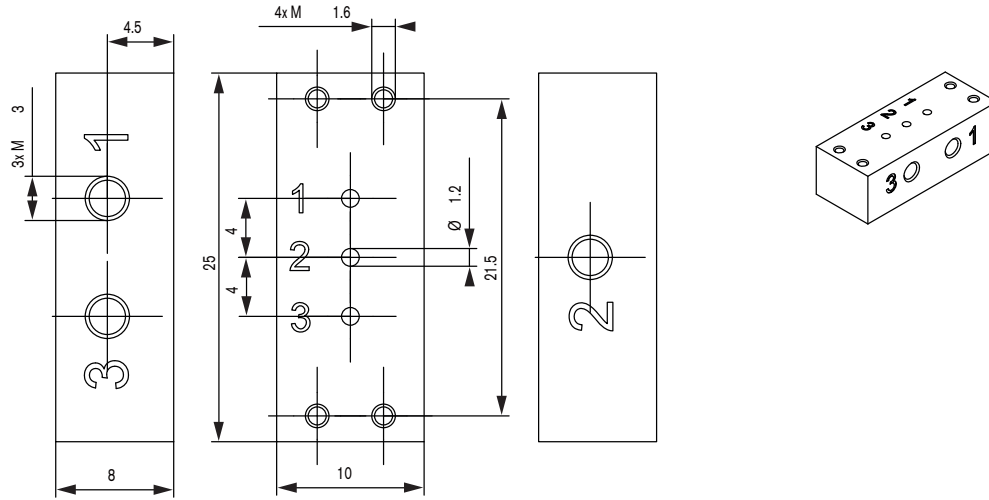
| Accessories                        | Feature  | Item no.   |
|------------------------------------|--|------------|
| Rectangular cable plug             | with 3m cable  | 133 486    |
|                                    | with 300mm flying leads  | 644 068    |
|                                    | with 2 single contacts   | 644 067    |
| Single manifold in stainless steel | with 3x M3 connection<br>Version with mounted manifold possible on request               | 644 684    |
| Single manifold in PEEK            | with 3x UNF 1/4"-28 with holders and screws,<br>version with mounted manifold on request | on request |
| Multi-station manifolds in PEEK    | 2 valves   | 659 285    |
|                                    | 3 valves   | 659 286    |
|                                    | 4 valves   | 659 287    |
|                                    | 5 valves   | 653 131    |
|                                    | 6 valves   | 659 288    |
|                                    | 8 valves   | 659 290    |

**Other accessories on request:**

- Customised manifolds
- Fittings and tubes (see also type 1013 AA05)
- Rectangular cable plug, grid spacing 5.08 mm, for plate mounting

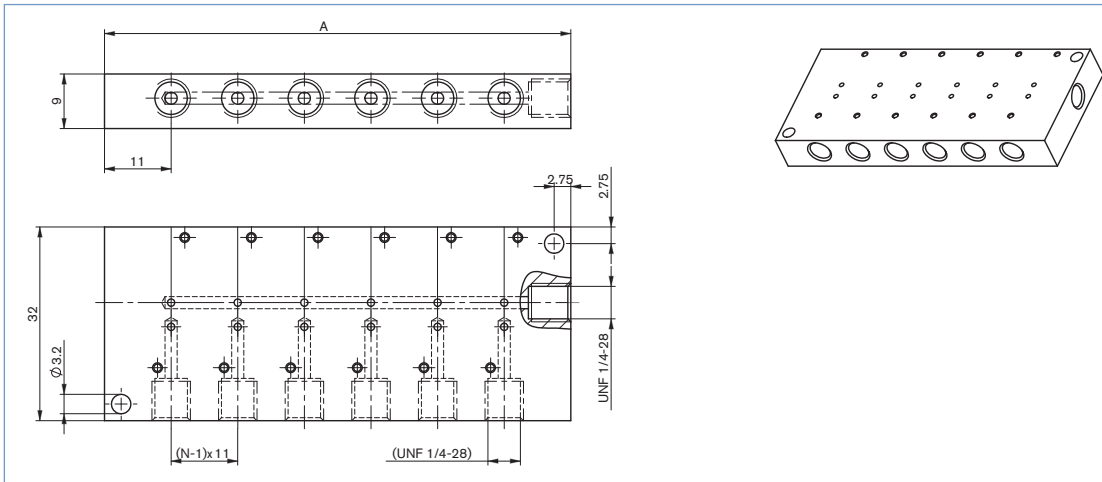
Manifolds [mm]

Single manifold M3, stainless steel



|          |         |
|----------|---------|
| Item no. | 644 684 |
|----------|---------|

Multi-station manifolds PEEK [mm]



| Numer of valve positions | 2  | 3  | 4  | 5  | 6  | 8  |
|--------------------------|----|----|----|----|----|----|
| Dimensions A [mm]        | 33 | 44 | 55 | 66 | 77 | 99 |

To find your nearest Bürkert facility, click on the orange box →

[www.burkert.com](http://www.burkert.com)

In case of special application conditions, please consult for advice.

Subject to alterations  
© Christian Bürkert GmbH & Co. KG

0413/7\_EU-en\_00891745