

ATX™ VCBA Video Camera Housing

Flameproof

ATEX:
Zone 1 and 2 - 21 and 22
 Ⓜ II 2 GD
 IP66 - IK10

Applications

- Flameproof housing to encase video camera used for onshore and offshore site and process supervision.

Features

- Maximum Power: 10 W.
- One open view glass window, usable diameter 155 mm (6.10 in).
- Threaded flameproof joint.
- Two M20 threaded entries with one blanking plug.

Standard Materials

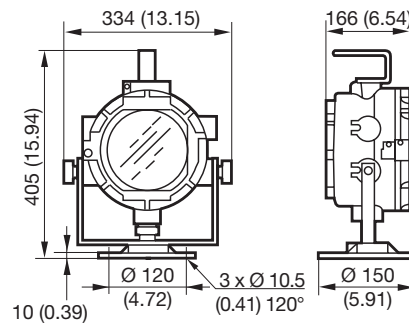
- Body: gray painted aluminium
- Window: sealed toughened glass

ATEX Certifications and Compliances

- Certification Type PJ70
 - Gas: Zones 1 and 2
 - Conforming to ATEX 94/9/CE: Ⓜ II 2 G
 - Type of Protection: Ex d IIC
 - Temperature Class: T6
- Dust: Zone 21 and 22
 - Conforming to ATEX 94/9/CE: Ⓜ II 2 D
 - Type of Protection: Ex tD A21
 - Surface Temperature: T80 °C (T176 °F)
- Ambient Temperature: -40 °C to +55 °C (-40 °F to +131 °F)
- CE Declaration of Conformity: 50239
- ATEX Certificate: LCIE 02 ATEX 6227
- Index of Protection according EN/IEC 60529: IP66
- Impact Resistance (shock): IK10
- Internal Volume: ≤ 2 dm³ (122 in³) — 2 liters



Dimensions in Millimeters (Inches)



ENCLOSURES AND JUNCTION BOXES: ATEX FLAMEPROOF CAMERA HOUSING

Weight kg (lb)	Volume dm ³ (in ³)	Catalog Number
8 (17.64)	27 (0.00165)	VCBA

Appleton®