

NEMA 4 CONNECTION HEAD WITH WELDED PROCESS CONNECTION

How to build a part number:

To order an Applied Sensor Technologies temperature sensor, select the requirements for the categories listed below and fill in the corresponding boxes with your selection. Don't see exactly what you need? Give us a call!

| SENSOR TYPE | ASSEMBLY STYLE | SHEATH DIAMETER | SHEATH MATERIAL | TEMPERATURE RANGE | SHEATH LENGTH | OPTIONS |
|-------------|----------------|-----------------|-----------------|-------------------|---------------|---------|
| | | | | | | |

SENSOR TYPE (See page 2-1b for optional elements)

RTP1 – Platinum; DIN 0.00385; 100 ohm +/- 0.12% @ 0°C; 3-wire construction **(For dual element, add prefix "D", e.g., DRTP1)**

ASSEMBLY STYLE

15 – Sheath with cast aluminum head and 1/2" NPT welded stainless steel process connection; head conforms to NEMA 4 requirements; 3/4" NPT conduit connection; ceramic terminal block; gasketed screw cover with stainless steel chain

SHEATH DIAMETER (in inches) (see below for restrictions)

- 4** – 1/8 (0.125)
- 6** – 3/16 (0.188)
- 7** – 1/4 (0.250)
- 9** – 3/8 (0.375)

SHEATH MATERIAL

3 – 316 stainless steel

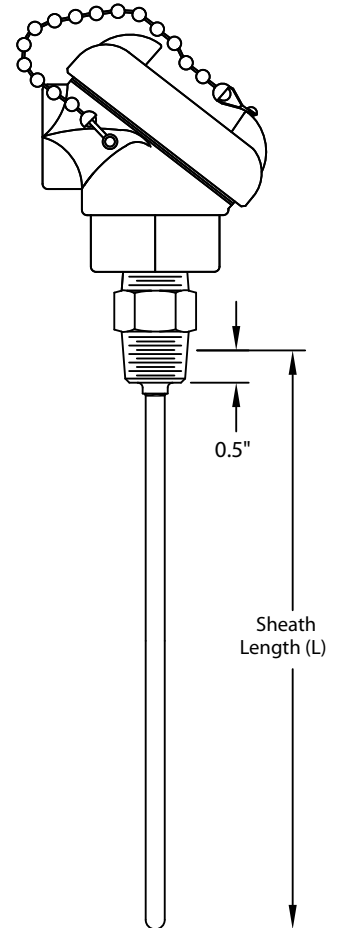
TEMPERATURE RANGE - Minimum and maximum operating temperatures

- 1** – -45 to 260°C (-50 to 500°F)
- 2** – -45 to 482°C (-50 to 900°F)
- 3** – -45 to 788°C (-50 to 1450°F)
- 4** – -200 to 260°C (-328 to 500°F)

SHEATH LENGTH (for lengths greater than L=36", consult AST)

L# – (e.g., L6 = 6 inch sheath)

OPTIONS – see back page



| Smallest Diameter Sheath Available By Sensor Type and Temperature Range | | | | | | | |
|---|--------|---------|----------|--------|--------|---------|----------|
| SINGLE | | | | | | | |
| Temp Range | RTP 1 | RTP 1A | RTP 1AA | RTP 6 | RTP 7 | RTP 7A | RTP 7AA |
| 1 | 1/8 | 1/8 | 1/8 | 1/8 | 3/16 | 3/16 | 3/16 |
| 2 | 3/16 | 3/16 | 3/16 | 3/16 | 3/16 | 3/16 | 3/16 |
| 3 | 3/16 | | | 3/16 | 3/16 | | |
| 4 | 1/8 | | | 1/8 | 3/16 | | |
| DUAL | | | | | | | |
| Temp Range | DRTP 1 | DRTP 1A | DRTP 1AA | DRTP 6 | DRTP 7 | DRTP 7A | DRTP 7AA |
| 1 | 3/16 | 3/16 | 3/16 | 3/16 | | | |
| 2 | 1/4 | 1/4 | 1/4 | 3/16 | | | |
| 3 | 1/4 | | | 1/4 | | | |
| 4 | 3/16 | | | 3/16 | | | |

STYLE 15

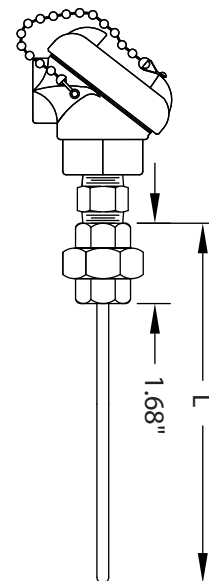
AVAILABLE OPTIONS and MODIFICATIONS

| OPTIONAL ELEMENTS | | |
|---|---|---------------|
| RTDs are standardly platinum, 100-ohm, DIN-curve elements with a 0.00385 alpha. | | |
| Option Code | Accuracy (at 0°C) | Construction |
| RTP1 (std.) | ±0.12% | 3-wire |
| RTP1A | ±0.06% | 3-wire |
| RTP1AA | ±0.01% | 3-wire |
| RTP6 | ±0.12% | 2-wire |
| RTP7 | ±0.12% | 4-wire |
| RTP7A | ±0.06% | 4-wire |
| RTP7AA | ±0.01% | 4-wire |
| Notes: | | |
| 1. For dual element, add prefix "D" (e.g., DRTP6) | | |
| 2. Additional materials, curves and resistance values are available - see Capabilities brochure. | | |
| ASSEMBLY OPTIONS | | |
| Option Code | Description | |
| TAG1 | Stainless steel tag and wire | |
| CAL1 | NIST traceable calibration [specify point(s)] | |
| CRT1 | Certificate of conformance | |
| PC25 | 1/4" NPT process connection | |
| PC75 | 3/4" NPT process connection | |
| RB10 | Replace terminal block with customer supplied part | |
| RB11 | Supply assembly with no terminal block inside head | |
| WC20 | Wiring cable gland for 0.187 - 0.312 diameter cables, for terminal heads with 1/2" NPT conduit connections | |
| WC21 | Wiring cable gland for 0.125 - 0.187 diameter cables, for terminal heads with 1/2" NPT conduit connections | |
| TRANSMITTERS – For complete specs, see Transmitters section | | |
| TR11 | 4-20 mA, 2-wire transmitter, single input, isolated output; specify range, units of measure (e.g., 0-200°C) and optional terminal head with *. | |
| TR12 | 4-20 mA, 2-wire transmitter, single input, non-isolated output; specify range and units of measure (e.g., 0-200°C) and terminal head with *. | |
| TR13 | HART®/ 4-20 mA, 2-wire transmitter, single input, isolated output; specify range and units of measure (e.g., 0-200°C) and terminal head with *. | |
| UNION CONNECTOR (converts male connection to female) | | |
| Option Code | Description | |
| UC10 | Stainless steel, 1/2" x 1/2" NPT, ordinary location | |
| Note: adding the union connector reduces the sensor's L length by 1.68" (see view). Adjust L dimension accordingly. | | |

| NEMA 4 OR 4X TERMINAL HEAD OPTIONS | | | |
|--|---------------------------------|--------------------|--------------------|
| Head without ground screw | Head with internal ground screw | Process Connection | Conduit Connection |
| Cast aluminum, screw cover with chain, NEMA 4 | | | |
| HD10* | HD11* | 1/2" | 1/2" |
| Std.* | HD13* | 1/2" | 3/4" |
| Epoxy-coated aluminum, screw cover with chain, NEMA 4X | | | |
| HD50* | HD51* | 1/2" | 1/2" |
| HD52* | HD53* | 1/2" | 3/4" |
| Cast iron, screw cover with chain, NEMA 4 | | | |
| HD20* | HD21* | 1/2" | 1/2" |
| HD22* | HD23* | 1/2" | 3/4" |
| 316 stainless steel, screw cover with chain, NEMA 4X | | | |
| HD40* | HD41* | 1/2" | 3/4" |
| White polypropylene, screw cover with chain, NEMA 4 | | | |
| HD30 | N/A | 1/2" | 3/4" |
| Black polypropylene, screw cover with chain, NEMA 4 | | | |
| HD31 | N/A | 1/2" | 3/4" |
| Nylon, screw cover | | | |
| HD32 | N/A | 1/2" | 1/2" |
| *can be used with transmitters | | | |

Notes:

1. See Accessories for additional information
2. For former Style 16, use option HD20
3. For former Style 29, use option HD32



UC10 Option