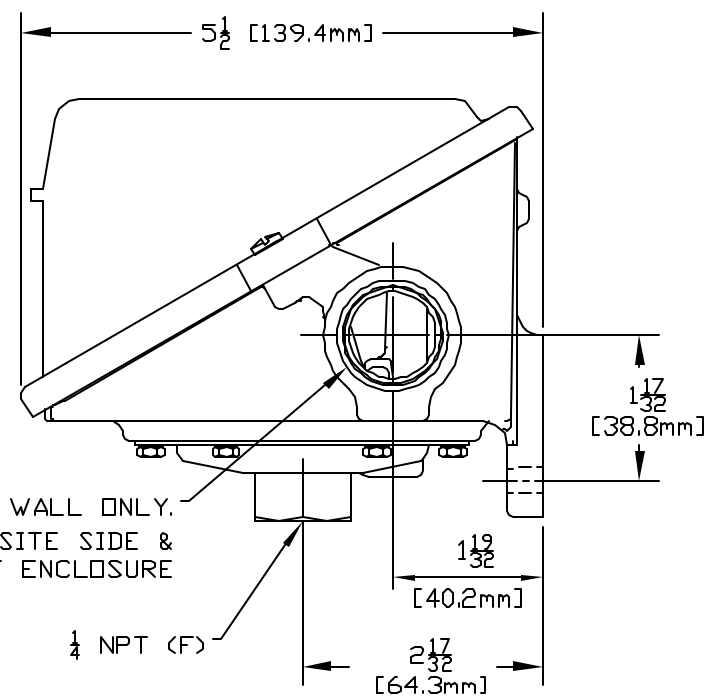
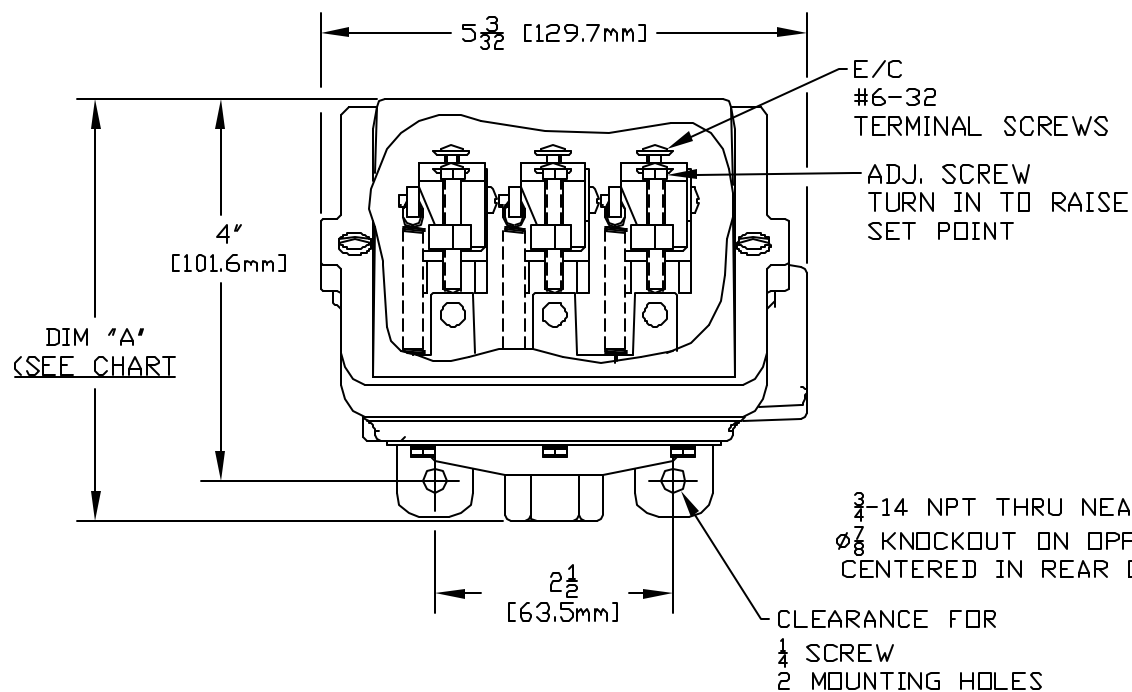


UL RECOGNIZED COMPONENT,  
CSA CERTIFIED, NEMA 4.  
I & M SHEET IMP400.



449, 451, 453 & 454	4 9/32 [108.7mm]
448, 450, 452	5 1/32 [127.7mm]
MODEL NOS.	DIM 'A'

454	0 to 30	0 to 21
453	0 to 20	0 to 1379.0 mbar
452	30"HgVac to 20 psi	-1.0 bar to 1379.0 mbar
451	0 to 80"wc	0 to 199.1 mbar
450	30"HgVac to 0 psi	-1.0 to 0
448	80 to 0"wc Vac	-199.1 to 0 mbar
MODEL NO.	psi	bar
ADJUSTABLE RANGE		
LOW END OF RANGE ON FALL		
HIGH END OF RANGE ON RISE		

S	REDRAWN, UPDATED ENCLOSURE. ECN#E0821	6-28-04	S.R.	HN
SYM	DESCRIPTION	DATE	DWN	APPD
REVISIONS				

ORIGINAL DATE	11-14-87
DRWN	J. CARTER
CHKD	N. MCKAY Jr.
APPD	A. MINASSIAN
UNLESS OTHERWISE SPECIFIED DIMENSIONS ARE IN INCHES	

TITLE  
J403  
-448 &  
450 TO 454



UNITED ELECTRIC  
CONTROLS COMPANY  
WATERTOWN \* MASSACHUSETTS

DF001D

DWG NO  
A-12325

DO NOT SCALE THIS DRAWING

SCALE 1:2