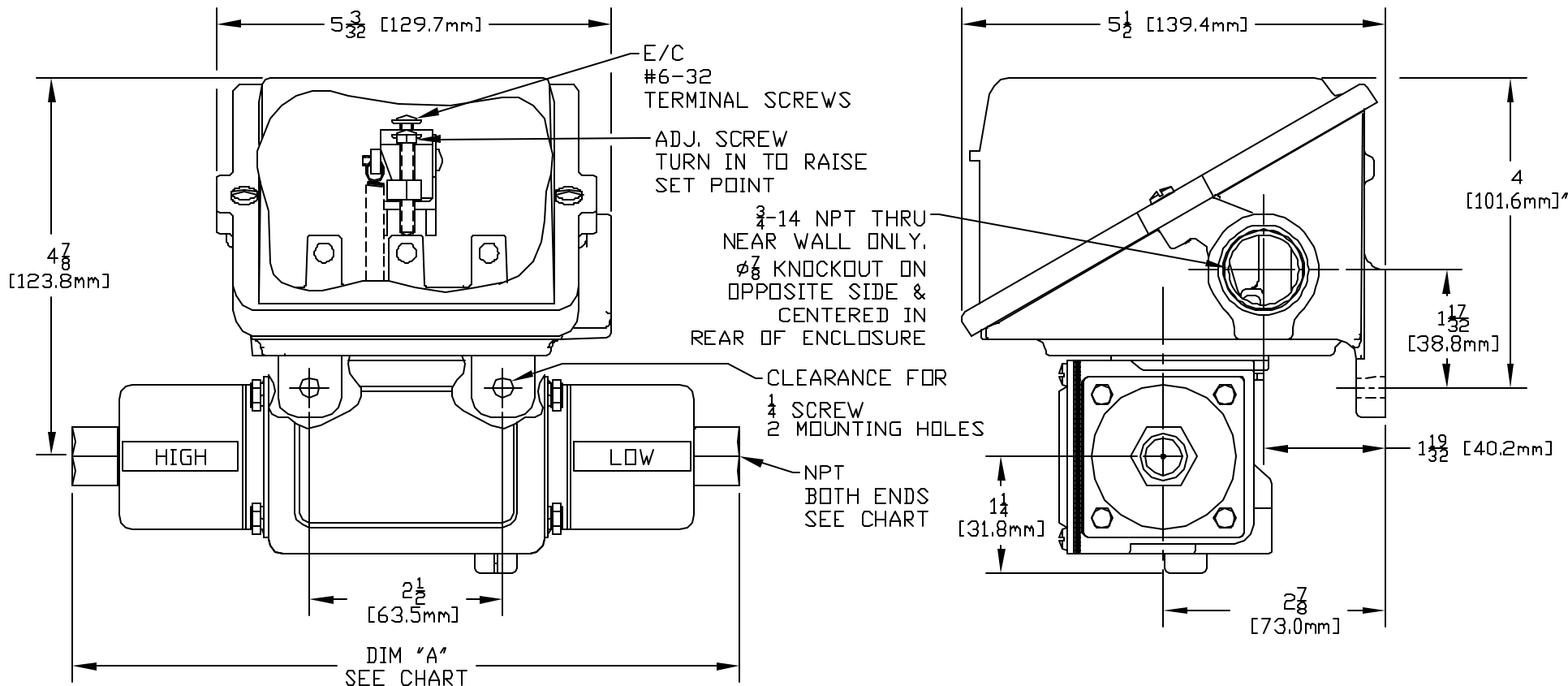


UL LISTED, CSA CERTIFIED, NEMA 4.
I & M SHEET IMP400.



S147B & S157B	9 7/16 [239.7mm]	1/2
147 & 157	8 5/8 [219.1mm]	1/4
MODEL NOS.	DIM 'A'	NPT

157	S157B	10 to 100	0.7 to 6.9
147	S147B	3 to 30	0.2 to 2.1
MODEL NO.		psid	bar
ADJUSTABLE RANGE			
LOW END OF RANGE ON FALL			
HIGH END OF RANGE ON RISE			

P	REDRAWN, UPDATED ENCLOSURE, ECN#E0821	6-28-04	S.R.	HN
SYM	DESCRIPTION	DATE	DWN	APPD
REVISIONS				

ORIGINAL DATE	12-13-86
DRWN	P. WEILER
CHKD	A.J. FLECCA
APPD	A. MINASSIAN
UNLESS OTHERWISE SPECIFIED DIMENSIONS ARE IN INCHES	
DO NOT SCALE THIS DRAWING	

TITLE	J400K- 147 & 157, S147B & S157B
SCALE	1:2

DF001D

UNITED ELECTRIC
CONTROLS COMPANY
WATERTOWN * MASSACHUSETTS

DWG NO
A-12785