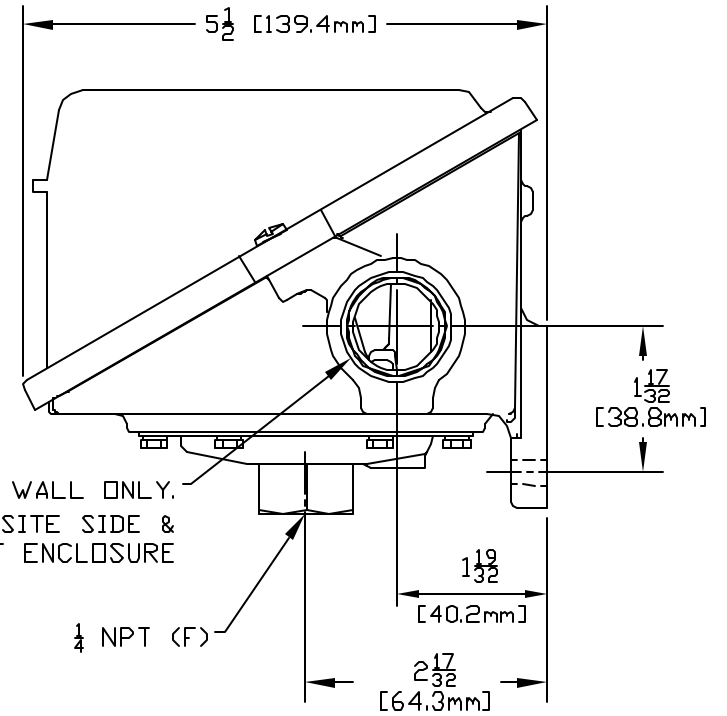
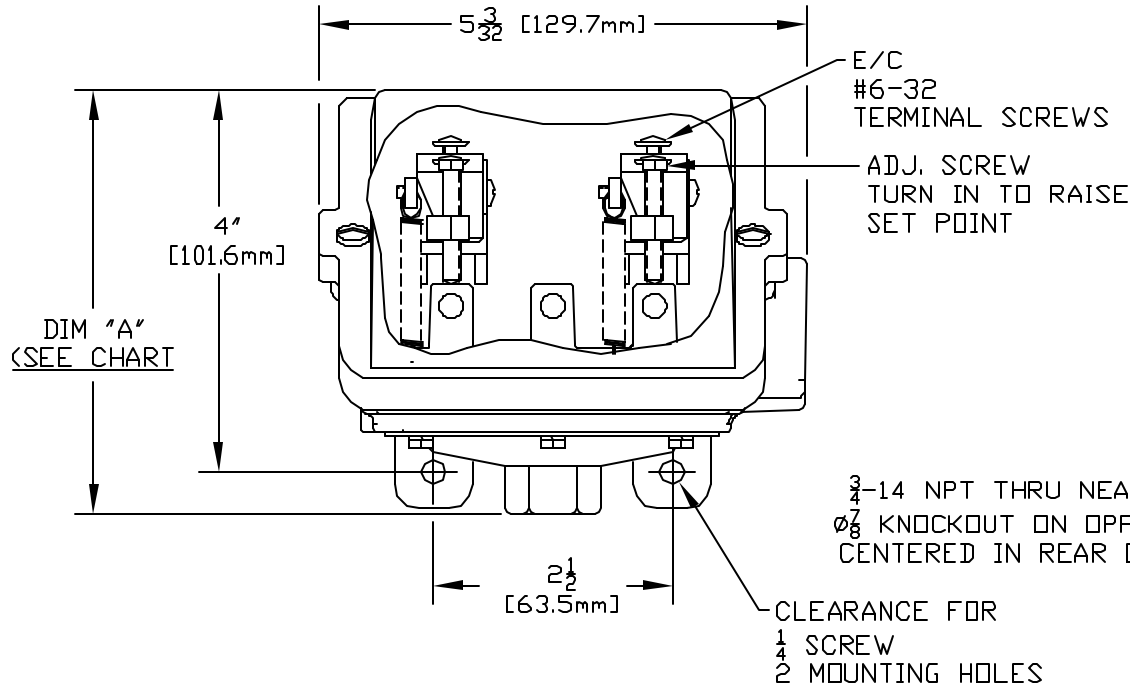


UL LISTED, CSA CERTIFIED, NEMA 4.
I & M SHEET IMP400.



449, 451, 453 & 454	4 9/32 [108.7mm]
448, 450, 452	5 1/32 [127.7mm]
MODEL NOS.	DIM 'A'

454	0 to 30	0 to 2.1
453	0 to 20	0 to 1379.0 mbar
452	30"HgVac to 20 psi	-1.0 bar to 1379.0 mbar
451	0 to 80"wc	0 to 199.1 mbar
450	30"HgVac to 0 psi	-1.0 to 0
449	0 to 20"wc	0 to 49.8 mbar
448	80 to 0"wc Vac	-199.1 to 0 mbar
MODEL NO.	psi	bar
ADJUSTABLE RANGE		
LOW END OF RANGE ON FALL		
HIGH END OF RANGE ON RISE		

P	REDRAWN, UPDATED ENCLOSURE. ECN#E0821	6-28-04	S.R.	HN
SYM	DESCRIPTION	DATE	DWN	APPD
REVISIONS				

ORIGINAL DATE	11-5-87
DRWN	J. CARTER
CHKD	PETER WEILER
APPD	A. MINASSIAN
UNLESS OTHERWISE SPECIFIED DIMENSIONS ARE IN INCHES	

TITLE	J402- 448 TO 454
SCALE	1:2

DF001D

UNITED ELECTRIC
CONTROLS COMPANY
WATERTOWN * MASSACHUSETTS

DWG NO
A-12313

DO NOT SCALE THIS DRAWING