

Mounting Adapters for Mercmaster™ LED Low Profile

NEC/CEC:

Class I, Division 2, Groups A, B, C, D
Class I, Zone 2 Group IIC
Class II, Division 1, Groups E, F, G

NEC/CEC:

Class II Division 2, Groups F, G
Class III
Simultaneous Exposure
Type 3R, 4, 4X

NEC/CEC:

IP66
Suitable For Use In Wet Locations
Marine Outside Type (Salt Water For USA ONLY)

Applications

- Mounting Hood adapters allow the end-user to seamlessly retrofit energy efficient, Mercmaster LED Low profile luminaires to pre-existing mounting hoods
- Adapters are certified for use with Appleton Mercmaster LED Low Profile Luminaires
- Mercmaster LED Low Profile is an enclosed and gasketed luminaire, suitable for use in:
 - A wide range of industrial, chemical processing and other areas where flammable gases and vapors may be present
 - Marine and wet locations
 - Areas of low clearance, low ceiling heights or where fixture weights must be minimized
- Typical applications include:
 - Chemical plants
 - Petrochemical facilities
 - Oil refineries
 - Pulp and paper mills
 - Processing plants
 - Drilling rigs
 - Foundries
 - Waste and sewage treatment
 - Mining
 - Steel mills

Features

- Available for use with all Mercmaster LED Low Profile Luminaires
- Mercmaster LED Low Profile provides a seamless transition from HID and other legacy sources to LED technology by maintaining the same look and feel as the HID counterpart for HID wattages up to 150W.
- Compact adapter design maintains luminaires compact light weight low profile for low mounting heights.
- Easy, fast installation with no loose parts.
- Labor savings; no need to pull new wires.
- Casted opening for safety cable connection.
- Standard adapter is compatible with ceiling and pendant mounting hoods:
 - Appleton MMII – LPA75, LPA100, LPC75, LPC100
 - Crouse-Hinds* – APM2, APM3, HPM2, CM2, and CM3
- Offset adapter is compatible with stanchion and wall mounting hoods:
 - Appleton MMII – LPWB75, LPWB100, LPS125, LPS150
 - Crouse-Hinds*: TWM2, TWM3, JM5, PM5 and QM25.
- Hinge has high lip for added safety during installation and servicing. Hinge and bolt construction assures 360° compression at all points on fixture housing gasket for positive sealing. Swing away design of captive bolt and nut simplifies servicing.
- Mercmaster LED Low Profile's four replaceable globe alternatives provide uniform illumination where it is needed.

Standard Materials

- Adapters are cast copperfree (4/10 of 1% max.) aluminum

Standard Finishes

- Gray epoxy powder coat finish, electrostatically applied for complete uniform protection

Related Products

- Mercmaster LED Low Profile Luminaires

* Crouse-Hinds is a registered trademarks of Cooper Crouse-Hinds

Standard Adapter



Pendant/Ceiling Mount Adapters

Offset Adapter



Stanchion/Wall Adapters

NEC/CEC Certifications and Compliances

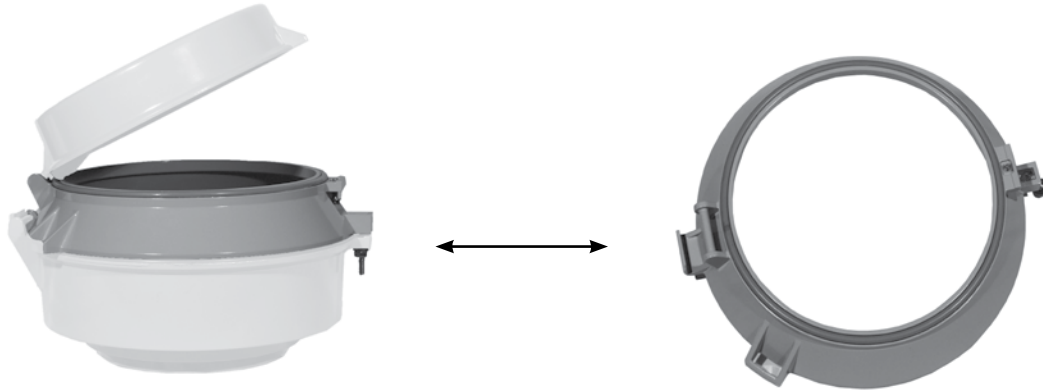
- UL Standard: UL 50; UL 844, UL 1598, UL 1598A, UL 8750
- CSA Standard: C22.2 No 0; C22.2 No. 94; C22.2 No. 60529; C22.2 No. 137; C22.2 No. 250.0; C22.2 No. 250.13
- ANSI/IEC Standard: 60529
- CSA: 70072210
- Master Contract: 164460
- Mercmaster LED Low Profile is DLC Qualified Products Listed

Mounting Adapters for Mercmaster™ LED Low Profile

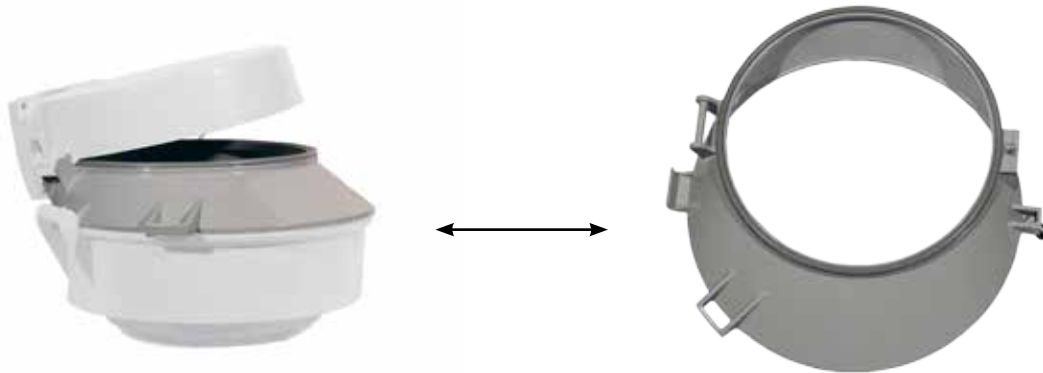
NEC/CEC:
 Class I, Division 2, Groups A, B, C, D
 Class I, Zone 2 Group IIC
 Class II, Division 1, Groups E, F, G

NEC/CEC:
 Class II Division 2, Groups F, G
 Class III
 Simultaneous Exposure
 Type 3R, 4, 4X

NEC/CEC:
 IP66
 Suitable For Use In Wet Locations
 Marine Outside Type (Salt Water For USA ONLY)



Manufacturer	Mounting Hood	Family	Appleton Adapter Catalog Number
Crouse-Hinds ⁺	APM2/3 - Pendant CM2/3 - Ceiling HPM2 - Flexible Pendant	Champ	MMADCHVS
Appleton™	LPA75/100 - Pendant LPC75/100 - Ceiling	Mercmaster II	MMADIIS



Manufacturer	Mounting Hood	Family	Appleton Adapter Catalog Number
Crouse-Hinds ⁺	TWM2/3 - Wall JM5 - 25° Angle Stanchion PM5w - 90° Straight Stanchion	Champ	MMADCHVA
Appleton™	LPWB75, LPWB100 - Wall LPS125, LPS150 - 25° Angle Stanchion	Mercmaster II	MMADIIA

⁺ Crouse-Hinds is a registered trademarks of Cooper Crouse-Hinds

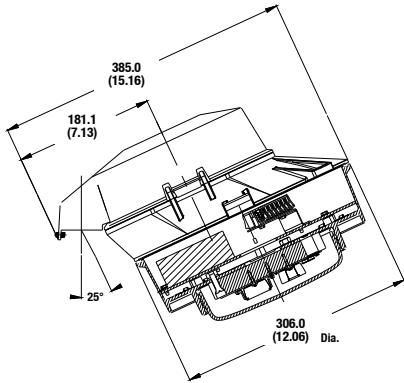
Mounting Adapters for Mercmaster™ LED Low Profile

NEC/CEC:
 Class I, Division 2, Groups A, B, C, D
 Class I, Zone 2 Group IIC
 Class II, Division 1, Groups E, F, G

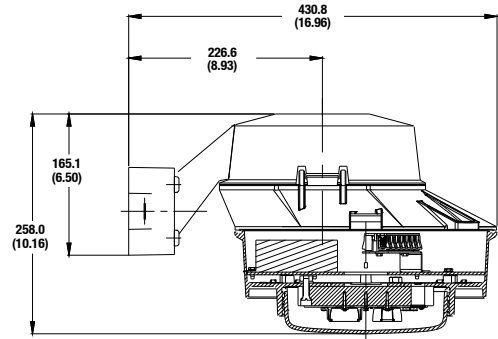
NEC/CEC:
 Class II Division 2, Groups F, G
 Class III
 Simultaneous Exposure
 Type 3R, 4, 4X

NEC/CEC:
 IP66
 Suitable For Use In Wet Locations
 Marine Outside Type (Salt Water For USA ONLY)

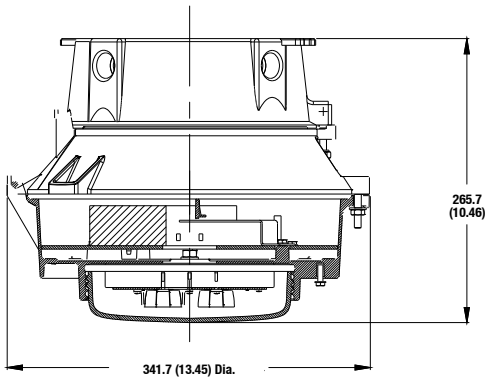
Dimensions in Millimeters (Inches) – Appleton Mercmaster™ II with Adapter and Mercmaster™ LED Low Profile



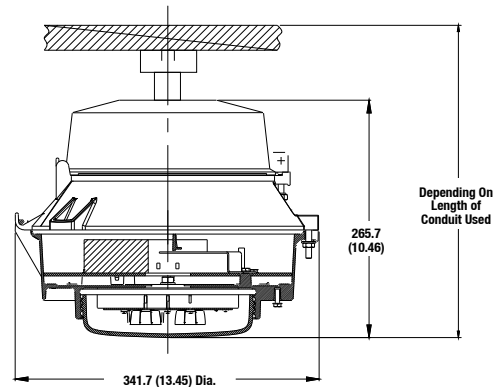
Off Centric Adapter – 25° Stanchion Mount



Off Centric Adapter – Wall Mount



Centric Adapter – Ceiling Mount



Centric Adapter – Pendant Mount

LIGHTING/LED/FLOODLIGHTS: NEC/CEC, ATEX/IECEx ENCLOSED AND GASKETED

Appleton

Mounting Adapters for Mercmaster™ LED Low Profile

NEC/CEC:

Class I, Division 2, Groups A, B, C, D
 Class I, Zone 2 Group IIC
 Class II, Division 1, Groups E, F, G

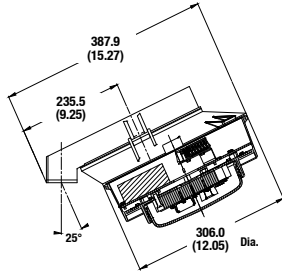
NEC/CEC:

Class II Division 2, Groups F, G
 Class III
 Simultaneous Exposure
 Type 3R, 4, 4X

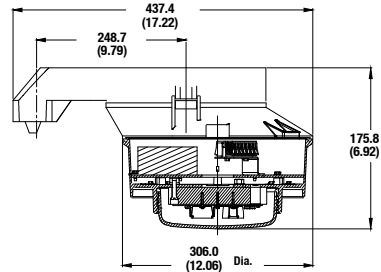
NEC/CEC:

IP66
 Suitable For Use In Wet Locations
 Marine Outside Type (Salt Water For USA ONLY)

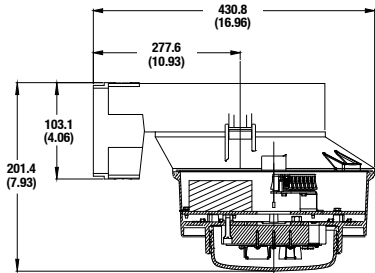
Dimensions in Millimeters (Inches) - Crouse-Hinds Champ with Adapter and Appleton Mercmaster™ LED Low Profile



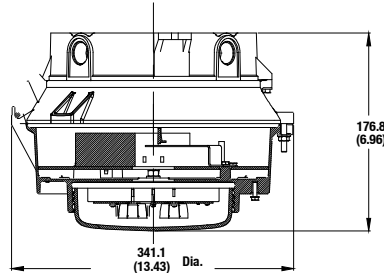
25° Stanchion Mount



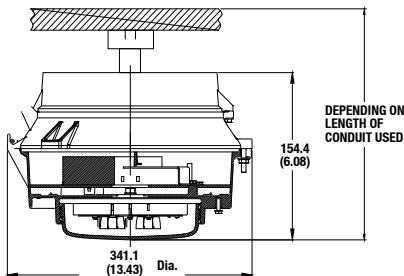
90° Stanchion Mount



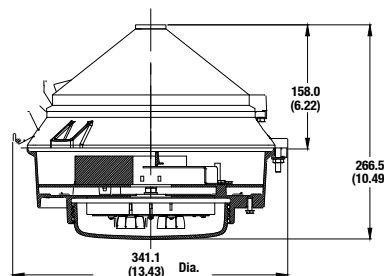
Wall Mount



Ceiling Mount



Pendant Mount



Pendant Cone Mount

Weight kg (lb)

0.9 (2.00)

0.9 (2.00)

Catalog Number

MMADCHVS/MMADIIS

MMADCHVA/MMADIIA