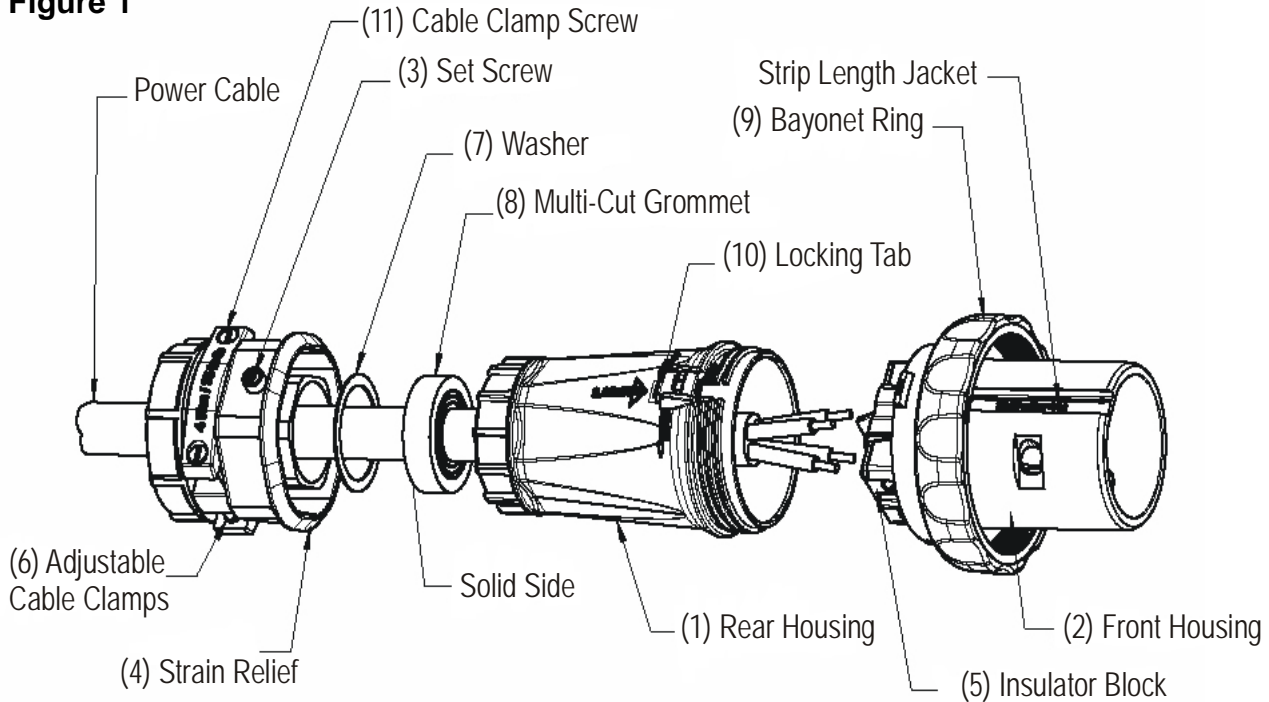


# NONMETALLIC POWERTITE® PLUG SERIES WIRING INSTRUCTIONS

**WARNING: BE SURE THE POWER IS OFF BEFORE STARTING INSTALLATION. READ ENTIRE DIRECTIONS BEFORE STARTING INSTALLATION.**

**CAUTION:** Check to see that the rating label on the device is correct for the installation. Select cable/conductor of suitable ampacity, service type and temperature. See TABLE A.

**Figure 1**

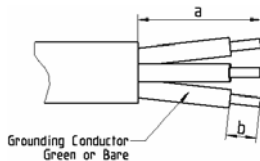


All installations must comply with applicable local code, National Electric Codes and/or Canadian Electrical Code.

**Table A**

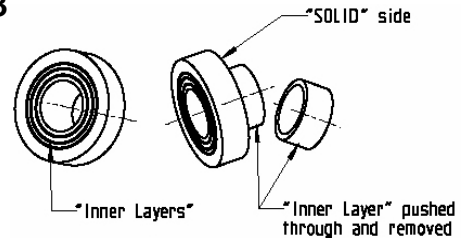
Ampere Rating	4W Cable Dia. Range inch	Terminal Wire Range (Extra Flex) AWG	Strip Length (Fig. 2)		Torque value		
			Jacket a inch	Conductor b inch	Terminal Pressure Screws in.lb	Strain relief nut (4) in.lb	Cable Clamp Screw (11) in.lb
30	0.45 – 1.12 for S, SO, STO G & W	#12 - #6	1.75	0.7	30 - 35	min. 66	18
60	0.50 – 1.45 for S, SO, STO G & W	#8 - #4	2.5	0.9	30 - 35	min. 66	35

**Figure 2**



**Copper  
Conductors  
ONLY!**

**Figure 3**



**CAUTION** The conductor size of the cord must be within the range specified in Table A.

**Use cable with diameters within the specified range given in Table A. Failure to do so may result in overstressed wire terminations which could cause the conductors to pull out of the terminals and cause serious/fatal personal injury and/or equipment damage.**

**NOTE:** Plugs are to be used with Type G, W, S, SO, STO or equivalent "extra hard usage" portable cable w/copper conductors, per Table A and to National Electrical Code, Articles 400 and/or Canadian Electrical Code, Table 12.

# NON METALLIC POWERTITE® PLUG SERIES WIRING INSTRUCTIONS

Figure 3

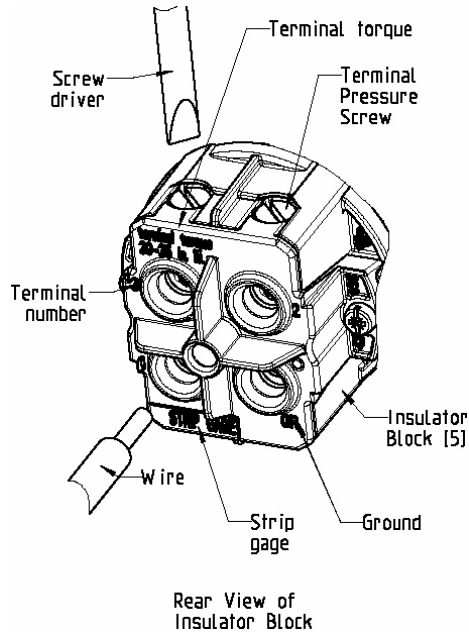
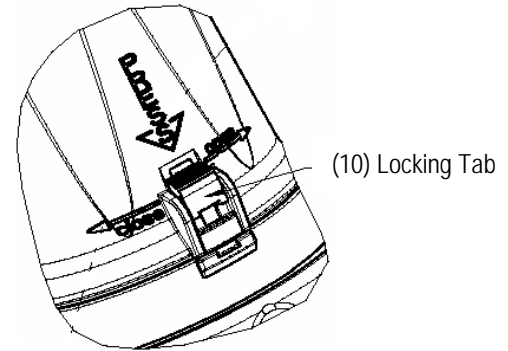


Figure 4



1. Choose the correct end of the cable for plug or connector so that conductor color coding corresponds to terminal location.
2. Disassemble plug as shown in Figure 1 by opening of the locking tab (10), unscrewing the rear housing (1) from the front housing (2), loosening set screw (3) and unscrewing strain relief (4). It is not necessary to separate the insulator block (5) from the front housing. Do not disassemble the insulator block.
3. Strip the cable jacket and individual conductors per Table A.
4. Slide strain relief (4) with adjustable cable clamps (6) and washer (7) over prepared cable.
5. Remove the "inner layers" from the multi-cut grommet (8) until it slips over the power cable. Remove one layer at a time, by pushing through to solid side and tearing off. See Figure 3.
6. Slide cable through threaded opening of rear housing (1).

**CAUTION** Apply the next steps with care. Otherwise the plug will not be tight and/or the cable grip will not be correct. Risk of serious/fatal injuries due to electrocution could occur if steps are not completed properly.

7. Connect wires to proper terminals in insulator block. Back out terminal pressure screws if needed, but do not remove. Insert conductors including all strands into contact terminals according to the established wiring pattern. Conductors must bottom in contact terminal well. If stripped according to Table A the conductor insulation should extend below surface of insulator block. Tighten terminal pressure screws to the torque value listed in Table A. The terminal torque can be found on the insulator block, see Figure 3.
8. Thread rear housing (1) into front housing and align black locking tab (10) with receiving piece on front housing (2). Press tab (10) as arrow directs to secure rear and front housing together.
9. Slide multi-cut grommet (8) and washer (7) into threaded entry of rear housing (1) Screw strain relief (4) into rear housing (1) and torque per Table A. The torque value is located on the strain relief (4). Secure set screw in place so strain relief cannot turn.
10. Tighten cable clamp screws (11) around power cable to the torque in Table A. Alternate sides as needed to prevent binding.