

Metso MD series
Heavy duty solutions
for slurry pumping applications



Sustained
mill discharge pump
performance



Metso MD series mill discharge pumps

Industry-leading performance for mineral processing



Metso MD series mill discharge pumps are based on our long history, extensive know-how and experience working with grinding mill circuits in a wide variety of mineral processing applications around the world. Our MDM hard metal and MDR rubber lined slurry pumps ensure sustained performance with maximized time between rebuilds.

MD series benefits your process

- Designed specifically for cyclone feed duties
- Sustained efficiency and performance
- Operational reliability and durability
- Lowest total operating cost
- Long operating life and service intervals
- Fast and safe maintenance
- Modular and compact design
- Extensive range of complimentary products



Designed to perform

Our dedicated staff is committed to delivering solutions that make the big difference to your process. A long wear life and sustained efficiency across your Metso product's entire

lifecycle is important to us. The hydraulic design of MD series pumps is consistent across the entire range and reduced impeller overhang restricts shaft deflection across a wide range of flows. All these factors help ensure sustained performance, reduce wear and extend the life of components and the entire installation.

Built to last

Our MD series slurry pumps have been built to last. We only use high performance materials with excellent resistance to abrasion and erosion. Special emphasis has been placed on components that have to withstand exceptional wear from coarse heavy solids and flow turbulence. An oversized robust steel shaft and extra thick casings and liners

are just some of the heavy-duty components equipped on our MD series pumps.

The right pump for you

Our extensive range of pumps cover flows of up to 6000 m³/h. With inlet sizes currently ranging from 300 to 550mm with either metal or rubber lining, we can ensure that you will always find the correct mill discharge pump for your process needs. Our experts are always ready to assist you in everything from pump selection to maintenance and services.

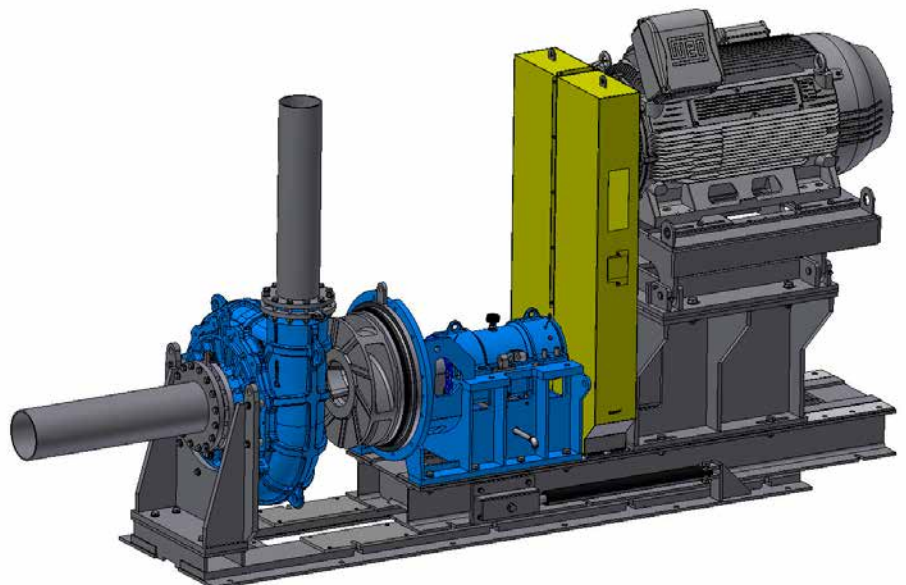


Modular and compact design

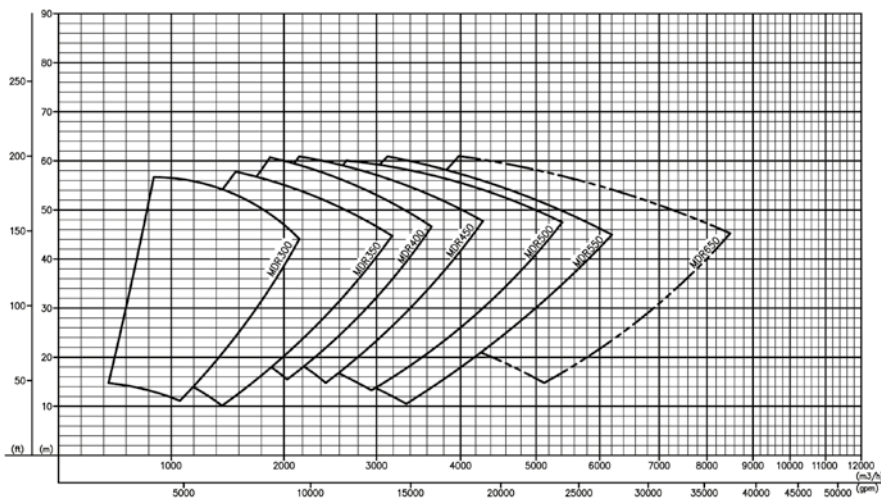
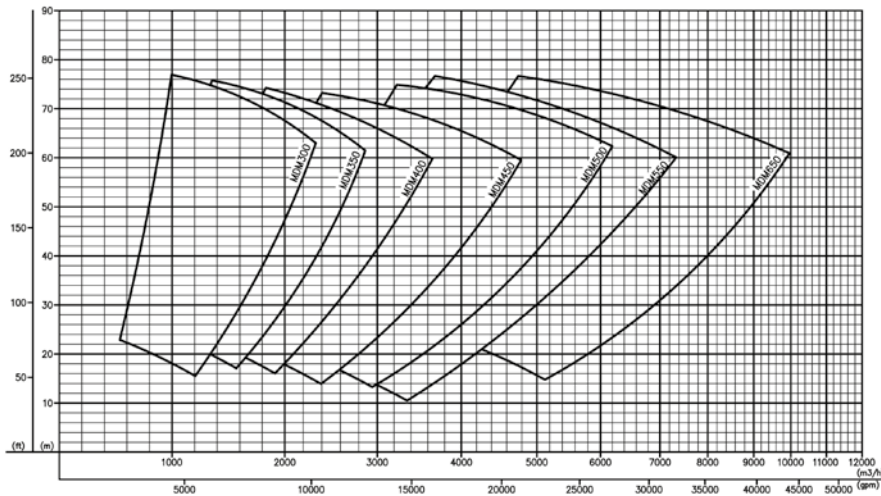
The modular design ensures easy interchangeability of all metal and rubber parts. The back pull out design features an optional maintenance slide base for fast, easy and safe inspection. Maintenance friendly design together with the durability of critical parts means that service intervals are long and maintenance shutdowns short.

Wide range of complimentary products

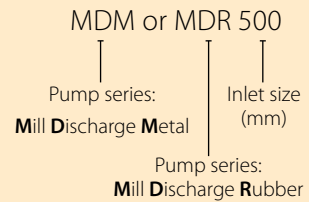
Everything we offer is all about performance. Our portfolio of complimentary products include hoses, valves, pipes and innovative sealing solutions. Our EnviroSet™ gland has been specifically developed to control the internal stuffing box environment and reduce water consumption.



Selection of pump size for MD series mill discharge pumps



Pump designation



Complimentary products range:

- Horizontal slurry pumps
- Vertical slurry pumps
- Mechanical seals
- EnviroSet™ seals
- Slurry hose and pipes
- Slurry valves

For more information on our MD series contact your local sales office.
flowcontrol@metso.com
www.metso.com/pumps



Metso Flow Control Inc.

Vanha Porvoontie 229, P.O.Box 304 FI-01301 Vantaa Finland, tel. +358 20 483 150, fax +358 20 483 151, www.metso.com/pumps