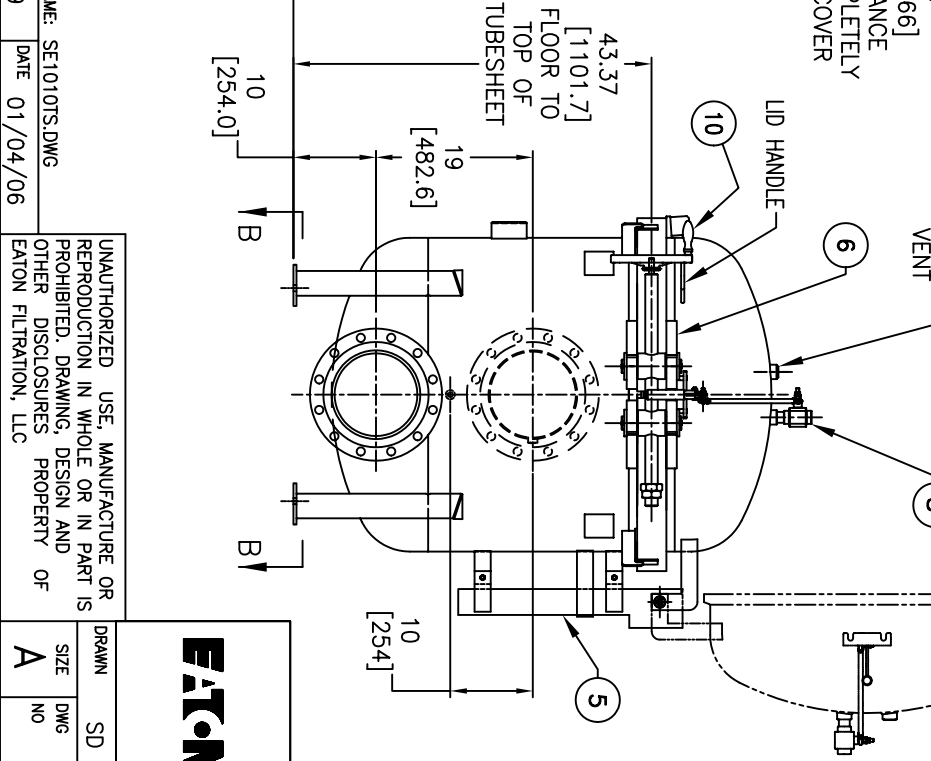
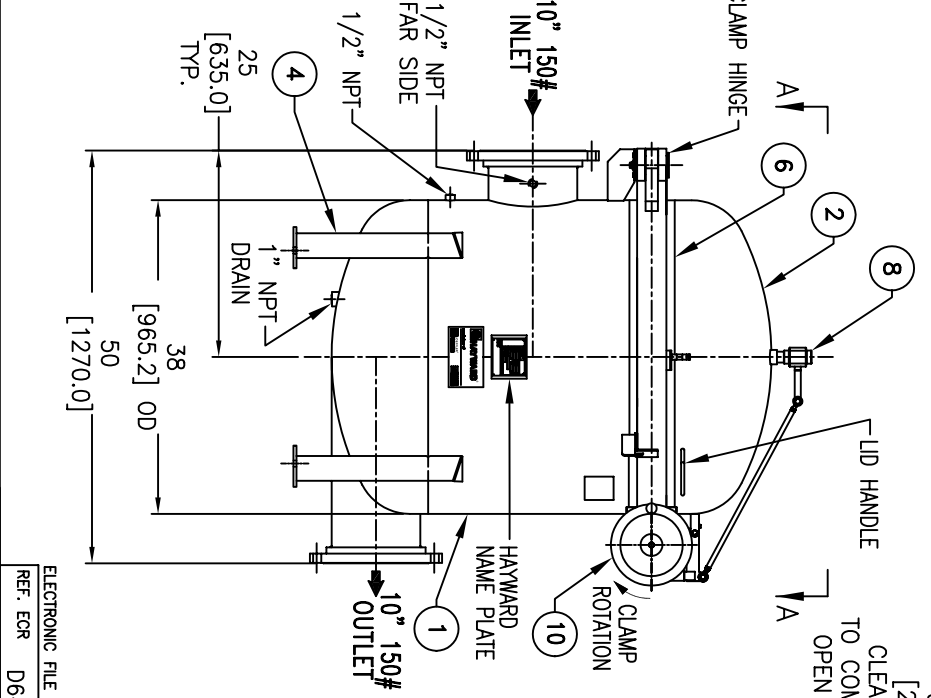


ITEM	PART NAME	MATERIAL
1	BODY	SA240-316/316L
2	COVER	SA240-316/316L
3	O-RING	BUNA-N
4	LEGS	STAINLESS STEEL
5	SPRING ASSISTED MECHANISM	STAINLESS STEEL
6	CLAMP ASSEMBLY	STAINLESS STEEL
7	FILTER BAG HOLD DOWN	316 SS
8	1" VENT VALVE ASSY.	316 SS
9	SPINDLE BOLT	SA193-B7 NEDOX COATED
10	SPINDLE HANDLE	ALUMINIUM

NOTES:

1. UNITS ARE DESIGNED, FABRICATED & U STAMPED IN ACCORDANCE WITH ASME SECT. VIII, DIV. 1 BOILER & PRESSURE VESSEL CODE, IN COMPLIANCE TO LATEST ADDENDA.
2. INLET/OUTLET FLANGE CONNECTIONS PER ANSI B16.5 (10.3 BAR @ 250F)
3. DESIGN PRESSURE: 150 PSIG @ 250F
4. ALL DIMENSIONS ARE IN INCHES / [mm]
5. ALL BOLT HOLES STRADDLE NATURAL CENTERLINE.
6. APPROX. WEIGHT (DRY): 1050 lbs. (476 kgs.)
7. APPROX. SHIPPING WEIGHT 1190 lbs. (539 kgs.)



EATON

EATON FILTRATION, LLC

900 FAIRMOUNT AVENUE, ELIZABETH, NEW JERSEY 07207

NAME: MBF-1002 FILTER VESSEL
10"-150# INLET/TANGENTIAL OUTLET
SPINDLE TYPE-SE (SSTL)

DATE: 03/18/03 CERT: WB DATE: 04/11/03

CERTIFIED FOR:

P.O. NO.:
REG. NO.:
QUOTE NO.:
TAG NO.:
VESSEL CODE: V-MBF-1002-AB10-100A-UT-11SE
PART NUMBER: F3AV1000200

ELECTRONIC FILE NAME: SE1010TS.DWG
REF. ECR D649 DATE 01/04/06

UNAUTHORIZED USE, MANUFACTURE OR REPRODUCTION IN WHOLE OR IN PART IS PROHIBITED. DRAWING, DESIGN AND OTHER DISCLOSURES PROPERTY OF EATON FILTRATION, LLC

SIZE	DWG NO	SD	DATE	WB	DATE	REV
A			03/18/03		04/11/03	D

SE1010TS