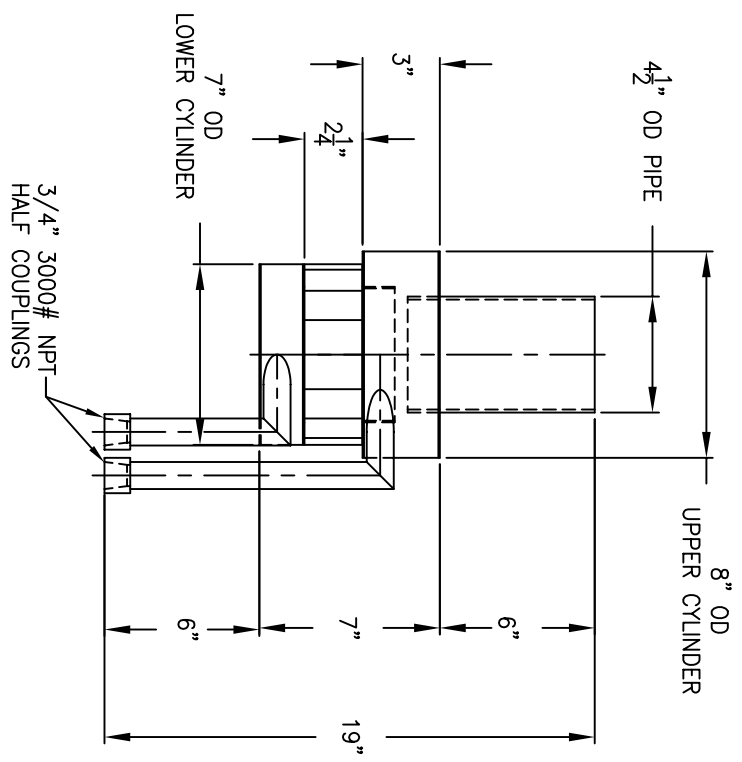


12" ID IS THE MINIMUM  
SHELL ID FOR THIS ELEMENT

TOP VIEW



ELECTRONIC FILE NAME:  
SD460IS.DWG

TOLERANCES UNLESS OTHERWISE SPECIFIED  
PER ENGINEERING STANDARD ES- --

UNAUTHORIZED USE, MANUFACTURE OR  
REPRODUCTION IN WHOLE OR IN PART IS  
PROHIBITED. DRAWING, DESIGN AND  
OTHER DISCLOSURES PROPERTY OF  
EATON FILTRATION, LLC

REV	DATE	CHANGE	ECR	BY	APP
A	10/8/02	NEW ISSUE	A870	FJM	VA
B	11/1/05	REVISED TITLE BLOCK	D507	FM	LH

NOTES:

1. ALL DIMENSIONS ARE IN INCHES .
2. ALL BOLT HOLES ARE TO STRADDLE NATURAL CENTERLINES.
3. SHIPPING WEIGHT: 18 POUNDS
4. DESIGN DATA:  
DESIGN PRESSURE-  
DESIGN TEMPERATURE-  
CORROSION ALLOWANCE-  
ATMOSPHERIC  
AMBIENT
5. MATERIAL: STAINLESS STEEL (304/304L)  
0 INCHES

CUSTOMER:  
REG. NO.:  
P.O. NO.:  
TAG NO.:  
PART NO.: E3400

**EATON**

**EATON FILTRATION, LLC**

900 FAIRMOUNT AVENUE, ELIZABETH, NEW JERSEY 07207

NAME  
**4" TYPE "60-1" ELEMENT**

**UPFLOW STYLE (304/304L SSTL)**

DRAWN	FJM	DATE	10/8/02	CHECKED	LH	DATE	10/8/02	
APP	VA	DATE	10/8/02	SCALE	1:8	ECR	A870	
SIZE	DWG	SD460IS						REV
A	NO							B