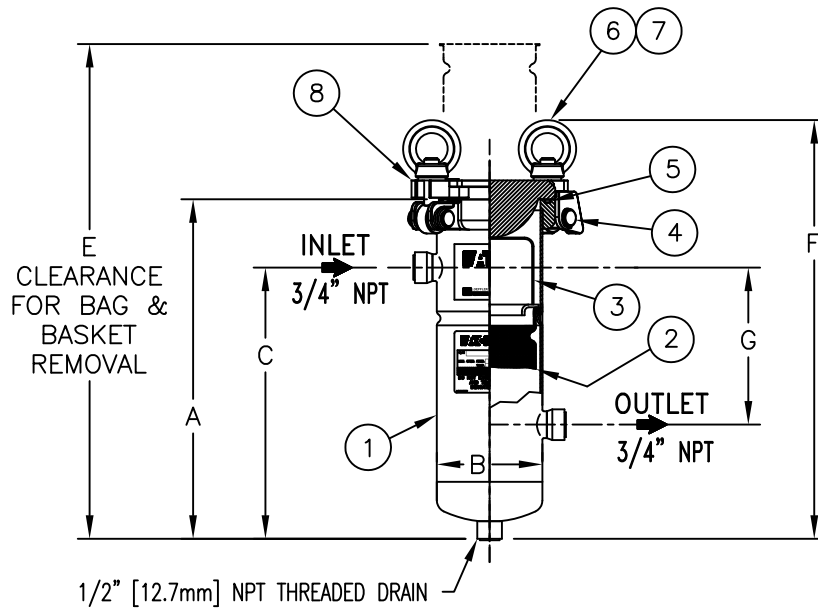
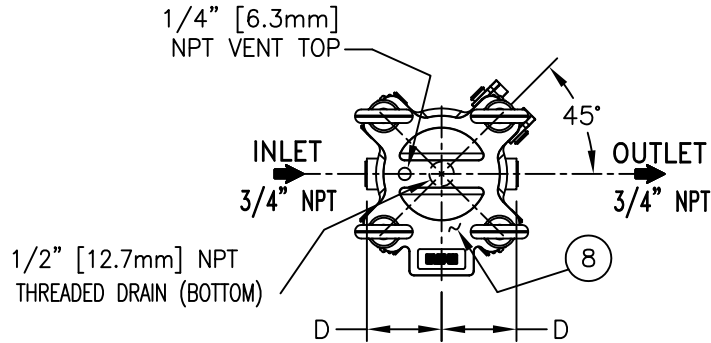


ITEM NUMBER	BAG SIZE	PIPE SIZE (NOM.)	A IN. / MM	B IN. / MM	C IN. / MM	D IN. / MM	E IN. / MM	F IN. / MM	G IN. / MM	WEIGHT LBS / KGS
F3AVSB00122	03	3/4" [19.05]	14-7/16 / 366.7	4-1/2 / 114.3	11-9/16 / 293.6	3-3/16 / 80.9	22-1/2 / 571.5	18-1/8 / 460.3	6-11/16 / 169.8	24 / 10.8

REVISIONS

REV	DESCRIPTION	BY	ECO	DATE
C	REVISED BORDER	FJM	0073817	07/19/12



NO.	PART NAME	MATERIAL
1	BODY	316 STAINLESS STEEL
2	RESTRAINER BASKET P/N L0001223 03 SIZE	316 STAINLESS STEEL
3	BAG HOLD DOWN	316 STAINLESS STEEL
4	PIN	STAINLESS STEEL
5	O-RING P/N 811351	BUNA-N
6	EYE BOLT	STEEL, ZINC PLATED
7	EYE NUT	STEEL, ZINC PLATED
8	COVER	316 STAINLESS STEEL

NOTES:

1. INLET/OUTLET "NPT" THREADED CONNECTIONS PER ANSI B1.20.1.
2. MAWP: 300 PSI @ 225 °F  
(20.6 BAR @ 107.2 °C)
3. DIMENSIONS SHOWN IN [ ] ARE IN MILLIMETERS AND FOR REFERENCE ONLY. ACCEPTANCE OF THIS PART WILL BE BASED ON "INCH" UNITS & TOLERANCES ONLY.

TOLERANCES  
(UNLESS OTHERWISE SPECIFIED)

DECIMAL:	.X ± .030
	.XX ± .010
	.XXX ± .005
FRACTIONAL:	± 1/16
NOZZLE Ø TO FLOOR:	1/8" < 4' > ± 1/4"
FACE TO FACE:	1/8" < 4' > ± 1/4"
ANGULAR:	± 1°
FLANGES (H/V):	± 1/2°
VESSEL OVERALL HT:	± 1"

REVIEWED FOR CLASSIFICATION PER PR-4



CUSTOMER INFO

NAME	
P.O. NO.	
S.O. NO.	
QUANTITY	
PART NO.	F3AVSB00122

PART NUMBER: F3AVSB00122 VESSEL CODE: SBF-0103-AB21-007N-NI-B-NNS				
DRAWN BY FJM		<b>EATON</b> DESIGN CENTER ISELIN, NEW JERSEY, USA • PORTAGE, MICHIGAN, USA		
SCALE AS DRAWN				
RESTRICTION RESTRICTED		TITLE MINI SIDELINE (SBF-0103) FILTER VESSEL 3/4" NPT THREADED CONN. STAINLESS STEEL		
SHEET 1 OF 1				
PROJECTION THIRD ANGLE	DATE 11/17/05	SIZE A	DWG FILENAME SBF07XSKD-SO	REV C
<small>EATON CORPORATION - CONFIDENTIAL AND PROPRIETARY NOTICE TO PERSONS RECEIVING THIS DRAWING AND/OR TECHNICAL INFORMATION INCLUDING THE DRAWING AND INFORMATION CONTAINED THEREON IS CONFIDENTIAL AND IS THE EXCLUSIVE PROPERTY OF EATON AT ANY TIME. BY TAKING THE POSSESSION OF THIS DOCUMENT THE RECIPIENT ACKNOWLEDGES AND AGREES THAT THIS DOCUMENT CANNOT BE USED IN ANY MANNER ADVERSE TO THE INTEREST OF EATON AND THAT NO PORTION OF THIS DRAWING MAY BE COPIED OR OTHERWISE REPRODUCED WITHOUT THE PRIOR WRITTEN CONSENT OF EATON, IN THE CASE OF CONFLICT CONTRACTUAL PROVISIONS, THIS NOTICE SHALL GOVERN THE STATUS OF THIS DOCUMENT. 2012 EATON CORPORATION - ALL RIGHTS RESERVED.</small>				