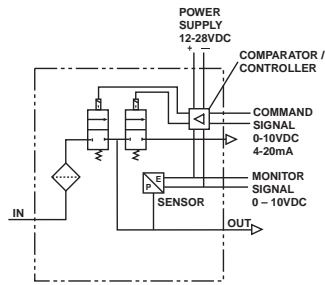


Electronic Proportional Valve EPV

 = "Most Popular"



EPV-01-00H0

Specifications

Flow Rate	Cv = .02	
Linearity	< 1.0 PSIG (.06 bar)	
Maximum Supply Pressure	150 PSIG (10.3 bar)	
Operating Temperature	32° to 125°F (0° to 52°C)	
Output Pressure Ranges	15 / 30 / 60 / 90 PSIG 1/2, 1/4, 1/6, 2 bar	
Overall Accuracy	0.8% Scale	
Port Size	NPT / BSPP-G	1/8
Response*	50 mSEC	
Step Response**	with Step Input 600 mSEC	
Weight	lb. (kg)	.92 (.42)

* Response time for the unit to recognize and correct for a change in set value or conditions.

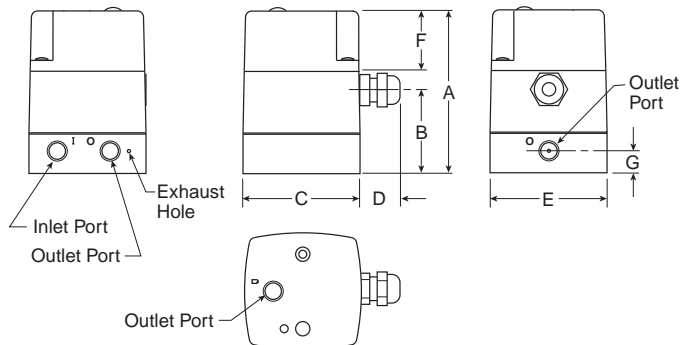
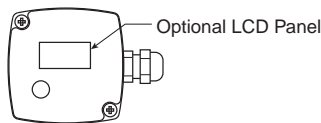
** Step response is the time to go from 10 to 90% of set value with a 60 PSIG (4.0 bar) step input.

Materials of Construction

Body / Cap	Aluminum
Body Cover	ABS
Seals	Nitrile
Valve Assembly	Brass / Nitrile

Features

- Optional LCD Panel Displays P2 Pressure in PSIG or bar
- Modern Design and Appearance
- Light Weight
- 0-10 VDC, 4-20mA, or Internal Control Signal Options Available



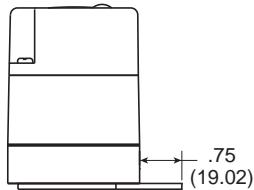
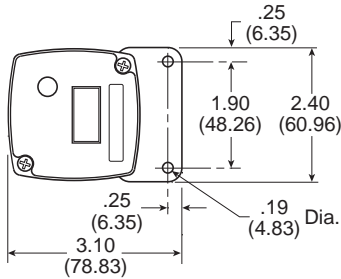
Dimensions

Models	Inches (mm)	A	B	C	D	E	F	G
Standard Unit EPV-XX-0000		3.28 (83)	1.69 (43)	2.35 (60)	0.79 (20)	2.35 (60)	1.20 (30)	0.45 (11)

 = "Most Popular"

The EPV provides highly accurate pressure for static and low flow applications. In addition, the EPV is available in both 1/8" NPT or G-series outlet ports on three sides and has a unique compact design which allows for easy installation.

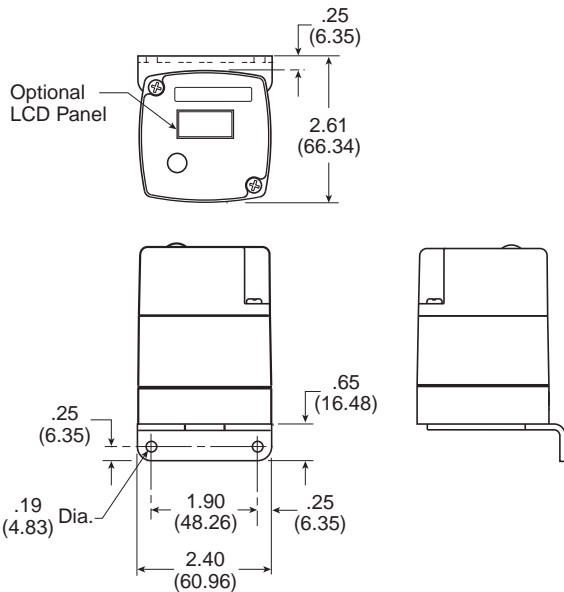
For optimum valve and system performance, we recommend a pre-filter package consisting of a 5 micron particulate filter and a .01 micron coalescing filter.



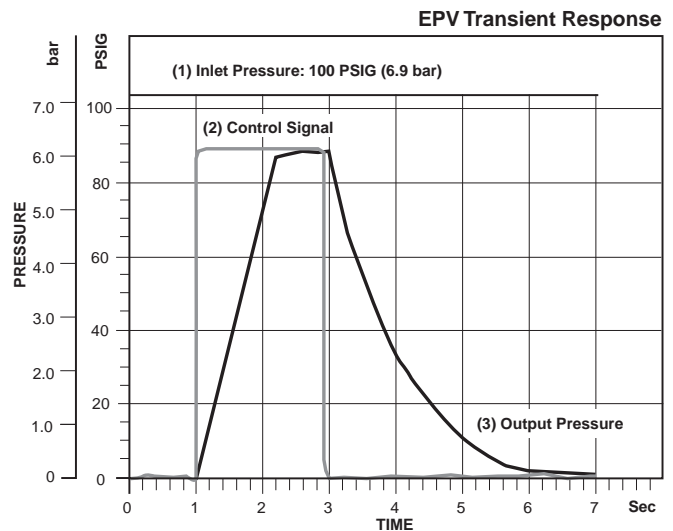
Flat Bracket

Replacement Kits

- Flat Bracket Kit..... EPP-95-351
- Angled Bracket Kit EPP-95-352
- Control Board, EPV 15 / 30 PSIG..... EPP-95-782



Angled Bracket



Ordering Information

Model Type	Port Size	Display	0 to 10VDC w/ LCD	4 to 20mA w/ LCD	Internal With LCD
EPV	1/8	PSI	EPV-01-P0H0	EPV-01-PAH0	EPV-01-PBH0
		bar	EPV-C1-B0H0	EPV-C1-BAH0	EPV-C1-BBH0
		None	EPV-01-00H0	EPV-01-0AH0	—

Options - To order an option supplied with the unit model, add the appropriate coded suffix letter in the designated position of the model number.